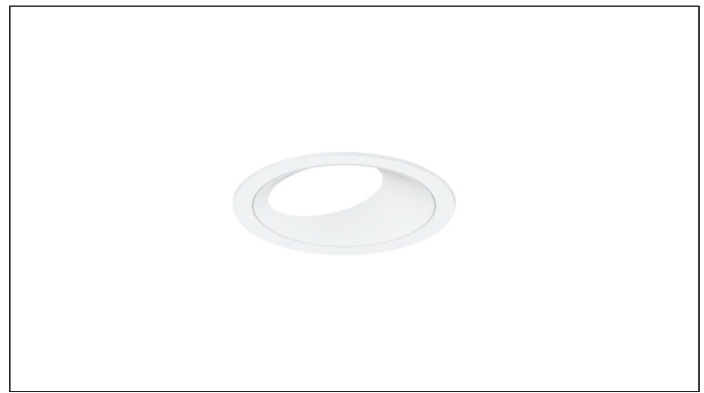




3G-DL33RWW

3.3" ROUND WALL WASH
DOWNLIGHT
DYNAMIC WHITE



Small 3.3" round, high performance dynamic white wall wash downlight
Dim to Warm and Tunable White LED options up to 2000lm (90+ CRI)
Regressed LED source for enhanced glare control
Proprietary wall wash optic and lens
Shallow housing available along with remodel and other housing options
1% dimming standard with several integral driver options



ORDERING INFORMATION

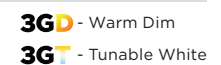
PROJECT:	<input type="text"/>	TYPE:	<input type="text"/>
CATALOG #:	<input type="text"/>	DATE:	<input type="text"/>

CAT. NO	LED SOURCE	LUMEN OUTPUT	CRI	BEAM ANGLE	VOLTAGE
3G-DL33RWW	DW - DIM TO WARM (1800-3000K) TW - TUNABLE WHITE ^{1,2} (2700K-6500K)	12 - 1200 LUMENS 20 - 2000 LUMENS	H90 - 90+ CRI	WW - WALL WASH	UNV - 120/277V 120 - 120V 347 - 347V (0-10V ONLY)

DRIVER	FLANGE TYPE	BEVELED INSERT	HOUSING TYPE
DIM - 0-10V (STANDARD 100-1%) LE - PHASE DIMMING ³ (TRIAC/ELV, 100-1%) LTEA - LUTRON HI-LUME LTEA ³ (FWD PHASE, 100-1%) D01 - 0-10V (100-0.1%) ¹ DALI - DALI (100-0.1%) ¹ DHL2 - LUTRON HI LUME LDE1 (1% ECOSYSTEM) DMX - DMX (100-0.1%) ¹	WT - WHITE TRIM BT - BLACK TRIM ST - SILVER TRIM XTR - TRIMLESS MWF - FLANGELESS (MILLWORK) ⁴	WI - WHITE SI - SILVER BI - BLACK	RMD - REMODEL (NON-IC) NCF - NEW CONSTRUCTION FRAME (NON-IC) SH - SHALLOW HOUSING (IC RATED & CP RATED) NC - NEW CONSTRUCTION HOUSING (CP RATED) IC - NEW CONSTRUCTION IC HOUSING

OPTIONS
CP - CHICAGO PLENUM ⁵ BH - C-CHANNEL BAR HANGERS EMR - EMERGENCY BATTERY (REMOTE) ⁶

¹ Tunable White option available with D01, DALI and DMX drivers
² Tunable White option not available with Remodel and New Construction Frame Housing
³ Phase dimming options available in 120V only
⁴ MWF not available with Remodel (NON-IC)
⁵ Chicago Plenum option available with Shallow Housing and New Construction Housing
⁶ Emergency battery installed remotely by others. Not accessible through the inside of the fixture



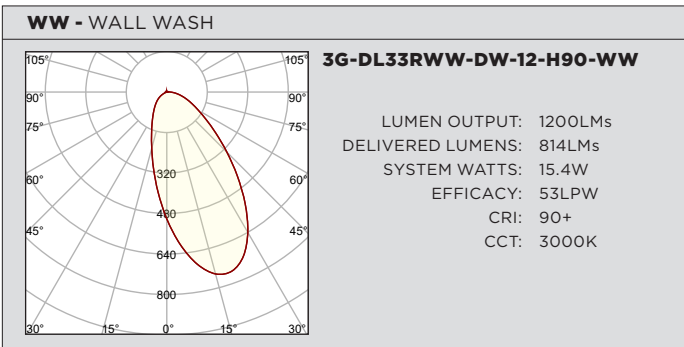
NOVEMBER 26, 2021



PERFORMANCE CHART BASED ON WALL WASH OPTIC AND 3000K SOURCE

DIM TO WARM LUMEN OUTPUT	90+ CRI (3000K)		
	DELIVERED LUMENS	SYSTEM WATTS	EFFICACY (LPW)
1200LMs	814	15.4	53
2000LMs	1143	23.2	49

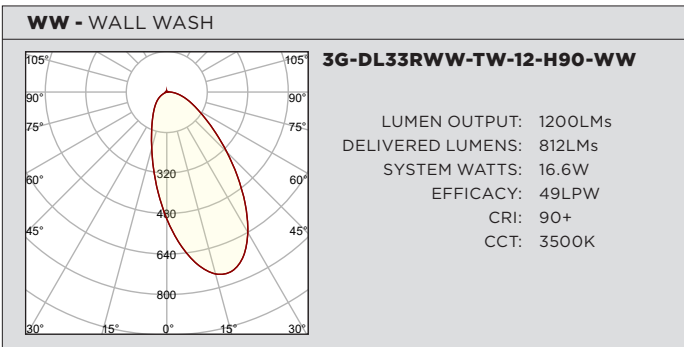
PHOTOMETRY



PERFORMANCE CHART BASED ON WALL WASH OPTIC

TUNABLE WHITE LUMEN OUTPUT	90+ CRI (2700K)			90+ CRI (3500K)			90+ CRI (6500K)		
	DELIVERED LUMENS	SYSTEM WATTS	EFFICACY (LPW)	DELIVERED LUMENS	SYSTEM WATTS	EFFICACY (LM/W)	DELIVERED LUMENS	SYSTEM WATTS	EFFICACY (LPW)
1200LMs	757	16.6	46	812	16.6	49	894	16.6	54
2000LMs	1091	24.5	45	1113	24.5	45	1303	24.5	53

PHOTOMETRY



TECHNICAL**HOUSING**

Remodel, new construction frame, shallow housing, and IC housing options available

Maximum ceiling thickness of 1" (1.5" for Millwork Flangeless and Remodel options). Consult factory for modifications

All housing options designed to be easily converted in field to trim or trimless with minimal components

Housing rated for #12 AWG (4 in, 4 out), 90°C conductors and through branch wiring

BEVELED INSERT

Cast aluminum beveled insert with matte powder coated finish

3.3" aperture with regressed LED source for enhanced glare control

TRIM

Machined aluminum trim flange with matte powder coated finish and minimal 0.375" overlap

TRIMLESS

Mudding flange features a perforated surface for easy mud-in application

Integral blocking support provided to ensure fixture is properly secured within ceiling structure

OPTICS

Regressed LED source for enhanced glare control

Proprietary wall wash optic

Asymmetrical lens provides uniformity and smooth illumination across and down the wall

ELECTRICAL

Standard 0-10V, constant current drivers with 100-1% dimming range and >0.9 power factor

Standard 120/277V universal voltage drivers. Optional 347V, 0-10V drivers

120V Forward Phase/Reverse Phase driver option with 100-1% dimming range

eldoLED 0-10V driver option available with 100-0.01% dimming range

eldoLED DALI and Lutron EcoSystem driver options available with 100-1% dimming range

DMX driver option available with 100-0% dimming range

All drivers are integral and easily accessible through fixture aperture

LED SYSTEM

Bridgelux LED module (field replaceable)

Color consistency <3 SDCM

Standard 90+ CRI

Dim to Warm (1800K-3000K)

Tunable White (2700K-6500K)

L70 >50,000 hours

5 Year Warranty

MOUNTING

Trim fixture designed for use in drywall, wood, acoustic, and other architectural ceilings

Trimless fixture designed for use in drywall, mud-in ceiling applications

Recommended ceiling cut-out for Millwork Flangeless option (3.525" diameter for ceilings up to 1"). Contact 3G for thicker ceilings

Recommended ceiling cut-out for all other housing options (3 13/16" diameter)

New construction frame and IC rated shallow housings ship with bar hangers (14" to 26" extension)

Standard new construction and IC housings available with optional c-channel bar hangers

LISTING

ETL listed and tested to cUL standards. Suitable for dry and damp locations

WARRANTY

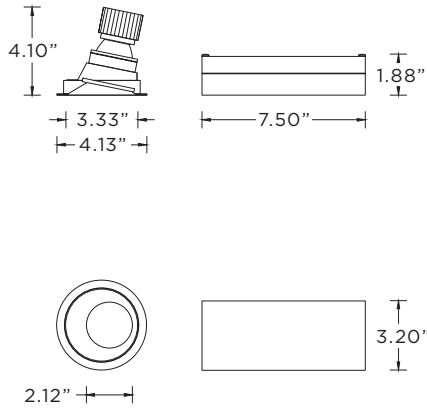
5 Year Warranty on LED and drivers

Manufacturer 1 Year Warranty for defects in material and workmanship under normal use

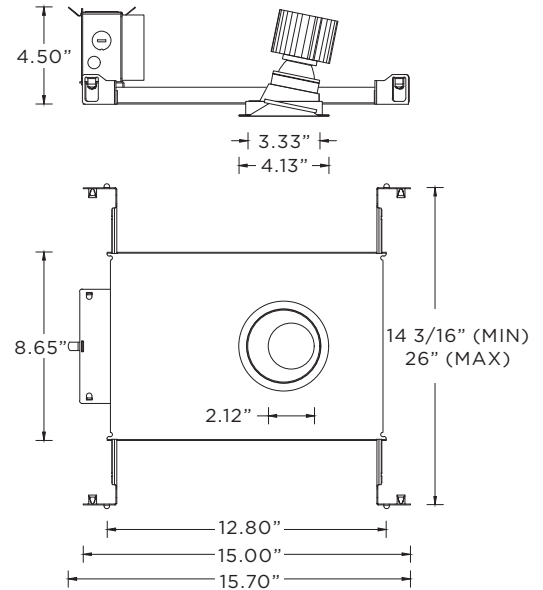
Ambient temperature at fixture should not exceed 25°C

TRIM HOUSING OPTIONS

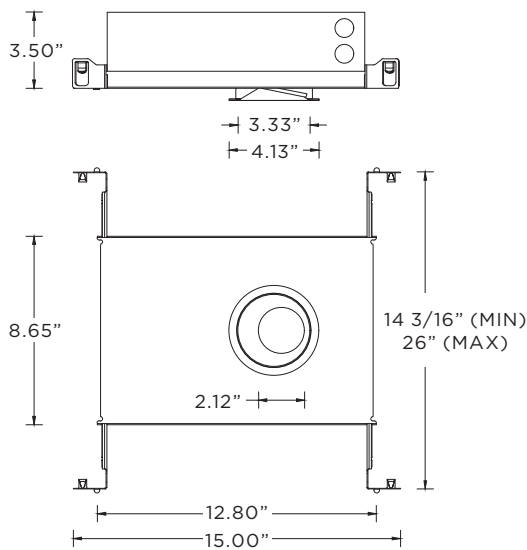
RMD - Remodel (Non-IC)



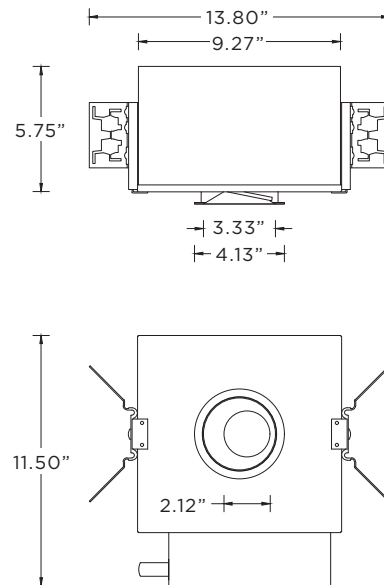
NCF - New Construction Frame (Non-IC)



SH - Shallow Housing (IC and Chicago Plenum Rated)

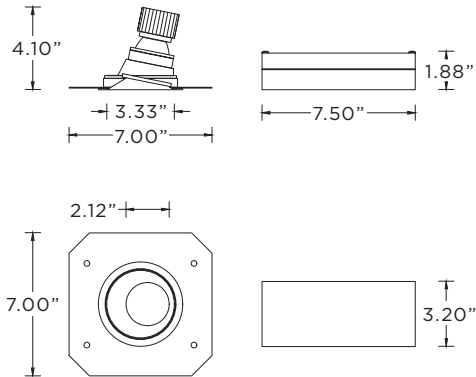


**NC - New Construction Housing (Non-IC and CP rated)
IC - New Construction IC Housing**

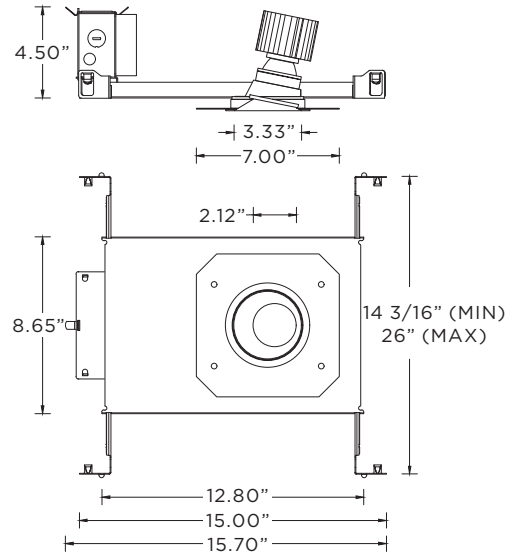


TRIMLESS HOUSING OPTIONS

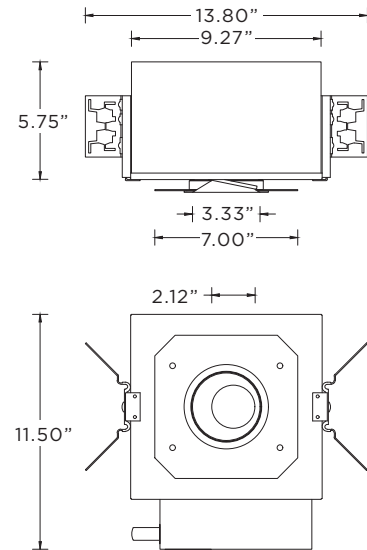
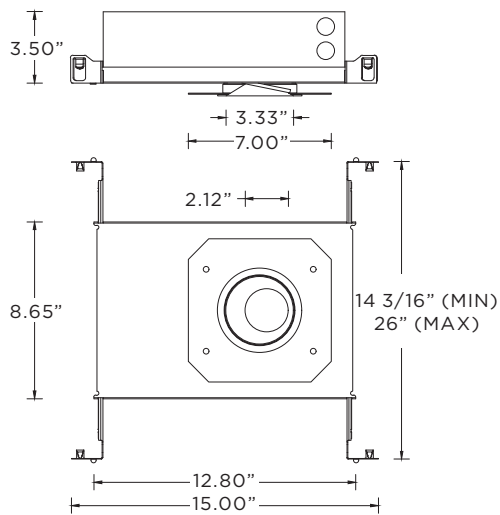
RMD - Remodel (Non-IC)



NCF - New Construction Frame (Non-IC)

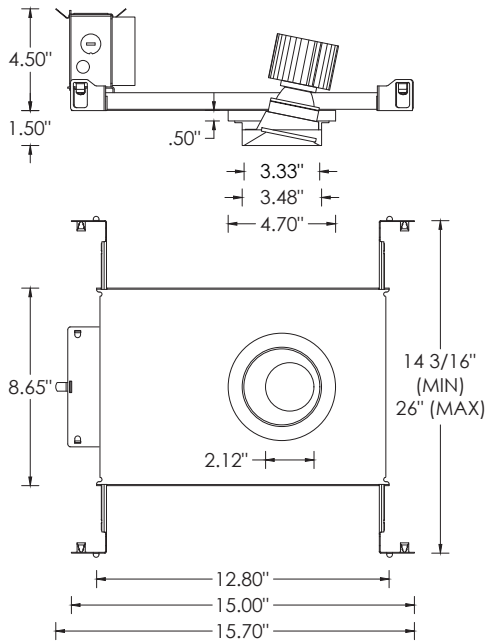


SH - Shallow Housing (IC and Chicago Plenum Rated)

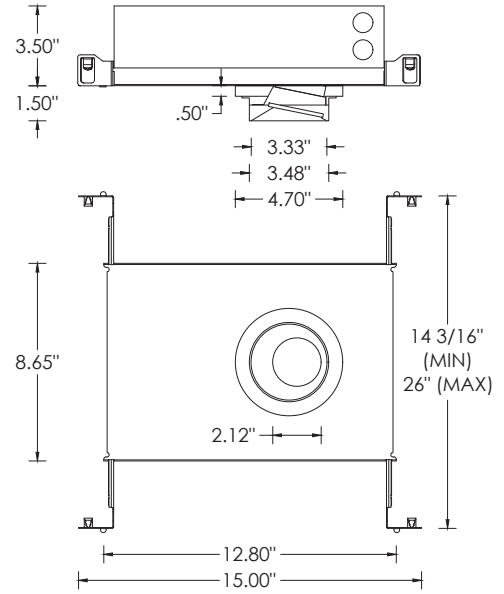


FLANGELESS MILLWORK OPTIONS

NCF - New Construction Frame (Non-IC)



SH - Shallow Housing (IC and Chicago Plenum Rated) (2200lm max)



NC - New Construction Housing (Non-IC and CP rated)
IC - New Construction IC Housing (2200lm max)

