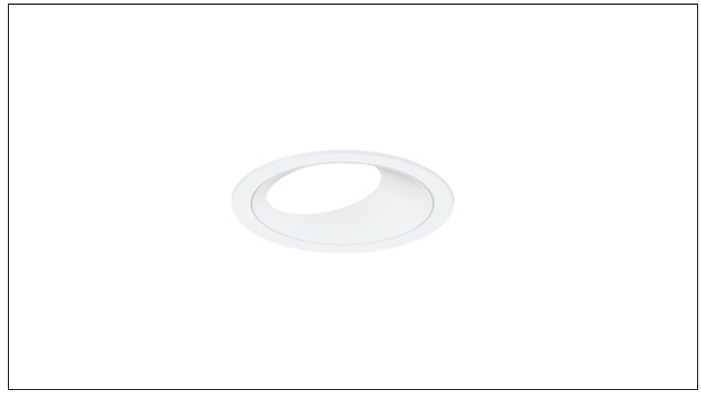




3G-DL33RWW

3.3" ROUND WALL WASH
DOWNLIGHT



Small 3.3" round, high performance wall wash downlight
 Regressed LED source for enhanced glare control
 Proprietary wall wash optic and lens
 Lumen range up to 4000lm (80+, 90+, and 97+ CRI options)
 Shallow housing available along with remodel and other housing options
 1% dimming standard with several integral driver options

ORDERING INFORMATION

PROJECT:	<input type="text"/>	TYPE:	<input type="text"/>
CATALOG #:	<input type="text"/>	DATE:	<input type="text"/>

CAT. NO	LUMEN OUTPUT	CRI	COLOR TEMP	BEAM ANGLE	VOLTAGE
3G-DL33RWW	10 - 1000 LUMENS	S80 - 80+ CRI	27K - 2700K	WW - WALL WASH	UNV - 120/277V
	15 - 1500 LUMENS	H90 - 90+ CRI	30K - 3000K		120 - 120V
	22 - 2200 LUMENS	H97 - 97+ CRI ¹	35K - 3500K		347 - 347V
	30 - 3000 LUMENS		40K - 4000K		(0-10V ONLY)
	40 - 4000 LUMENS				

DRIVER	FLANGE TYPE	BEVELED INSERT	HOUSING TYPE
DIM - 0-10V (STANDARD 100-1%)	WT - WHITE TRIM	WI - WHITE	RMD - REMODEL (NON-IC)
LE - PHASE DIMMING ² (TRIAC/ELV, 100-1%)	BT - BLACK TRIM	SI - SILVER	NCF - NEW CONSTRUCTION FRAME (NON-IC)
LTEA - LUTRON HI-LUME LTEA ² (FWD PHASE, 100-1%)	ST - SILVER TRIM	BI - BLACK	SH - SHALLOW HOUSING ⁵ (IC RATED & CP RATED)
D01 - 0-10V (eLdoLED, 100-0.1%) ³	XTR - TRIMLESS		NC - NEW CONSTRUCTION HOUSING (CP RATED)
DALI - DALI (eLdoLED, 100-1%) ³	MWF - FLANGELESS (MILLWORK) ⁴		IC - NEW CONSTRUCTION IC HOUSING ⁵
DHL2 - LUTRON HI-LUME LDE1 (1% ECOSYSTEM)			
DMX - DMX (eLdoLED, 100-0%) ³			

OPTIONS
CP - CHICAGO PLENUM ⁶
BH - C-CHANNEL BAR HANGERS
EMR - EMERGENCY BATTERY (REMOTE) ⁷

¹ 97+ CRI available up to 3000lm. Available in 30K and 35K as standard
² Phase dimming options available in 120V only
³ D01, DALI and DMX available up to 2200lm. DALI-2 (Type 6) provided as standard, Consult factory for DALI Type 8 option
⁴ MWF not available with Remodel (NON-IC)
⁵ IC rated Shallow Housing and New Construction IC housing available up to 2200lm
⁶ Chicago Plenum option available with Shallow Housing (2200lm max) and New Construction Housing
⁷ Emergency battery installed remotely by others. Not accessible through the inside of the fixture

NOVEMBER 26, 2021

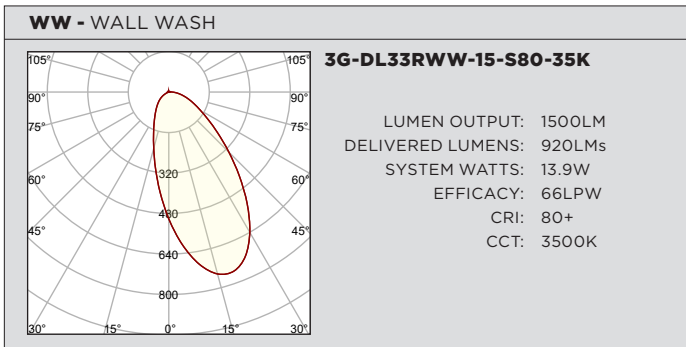


PERFORMANCE CHART BASED ON WALL WASH OPTIC AND 3500K SOURCE

LUMEN OUTPUT	80+ CRI			90+ CRI			97+ CRI		
	DELIVERED LUMENS	SYSTEM WATTS	EFFICACY (LPW)	DELIVERED LUMENS	SYSTEM WATTS	EFFICACY (LPW)	DELIVERED LUMENS	SYSTEM WATTS	EFFICACY (LPW)
1000LMs	672	10.3	65	592	10.3	57	551	10.3	54
1500LMs	920	13.9	66	810	13.9	58	755	13.9	54
2200LMs	1421	21.9	65	1250	21.9	57	1165	21.9	53
3000LMs	1938	31.3	62	1705	31.3	54	1589	31.3	51
4000LMs	2684	42.5	63	2362	42.5	56	N/A	N/A	N/A

LUMEN OUTPUT ADJUSTMENT FACTORS	CCT	Multiplier
	2700K	0.945
	3000K	0.985
	3500K	1.00
	4000K	1.01

PHOTOMETRY



TECHNICAL**HOUSING**

Remodel, new construction frame, shallow housing, and IC housing options available

Maximum ceiling thickness of 1" (1.5" for Millwork Flangeless and Remodel options). Consult factory for modifications

All housing options designed to be easily converted in field to trim or trimless with minimal components

Housing rated for #12 AWG (4 in, 4 out), 90°C conductors and through branch wiring

BEVELED INSERT

Cast aluminum beveled insert with matte powder coated finish

3.3" aperture with regressed LED source for enhanced glare control

TRIM

Machined aluminum trim flange with matte powder coated finish and minimal 0.375" overlap

TRIMLESS

Mudding flange features a perforated surface for easy mud-in application

Integral blocking support provided to ensure fixture is properly secured within ceiling structure

OPTICS

Regressed LED source for enhanced glare control

Proprietary wall wash optic

Asymmetrical lens provides uniformity and smooth illumination across and down the wall

ELECTRICAL

Standard 0-10V, constant current drivers with 100-1% dimming range and >0.9 power factor

Standard 120/277V universal voltage drivers. Optional 347V, 0-10V drivers

120V Forward Phase/Reverse Phase driver option with 100-1% dimming range

eldoLED 0-10V driver option available with 100-0.01% dimming range

eldoLED DALI and Lutron EcoSystem driver options available with 100-1% dimming range

DMX driver option available with 100-0% dimming range

All drivers are integral and easily accessible through fixture aperture

LED SYSTEM

Citizen LED module (field replaceable)

Color consistency <2 SDCM

Standard (80+ CRI). Optional (90+ and 97+ CRI)

Available in 27K, 30K, 35K, and 40K

L90 >50,000 hours

5 Year Warranty

MOUNTING

Trim fixture designed for use in drywall, wood, acoustic, and other architectural ceilings

Trimless fixture designed for use in drywall, mud-in ceiling applications

Recommended ceiling cut-out for Millwork Flangeless option (3.525" diameter for ceilings up to 1"). Contact 3G for thicker ceilings

Recommended ceiling cut-out for all other housing options (3 13/16" diameter)

New construction frame and IC rated shallow housings ship with bar hangers (14" to 26" extension)

Standard new construction and IC housings available with optional c-channel bar hangers

LISTING

ETL listed and tested to cUL standards. Suitable for dry and damp locations

WARRANTY

5 Year Warranty on LED and drivers

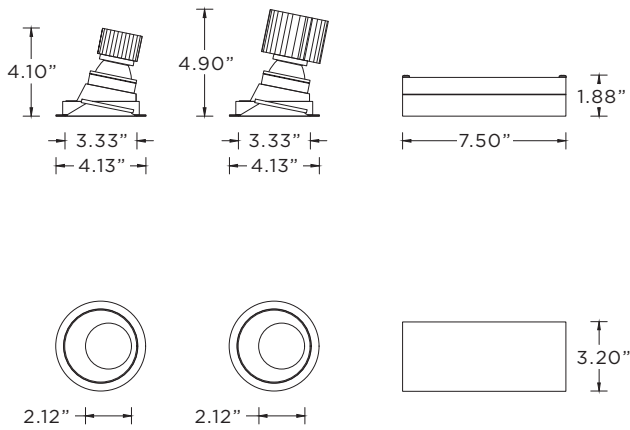
Manufacturer 1 Year Warranty for defects in material and workmanship under normal use

Ambient temperature at fixture should not exceed 25°C

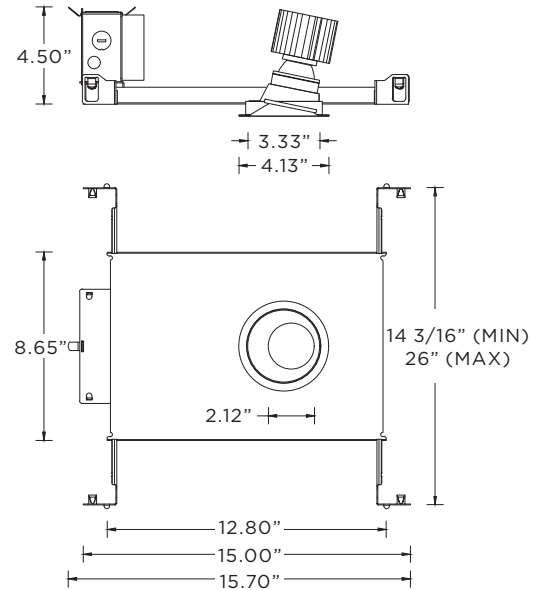
TRIM HOUSING OPTIONS

RMD - Remodel (Non-IC)

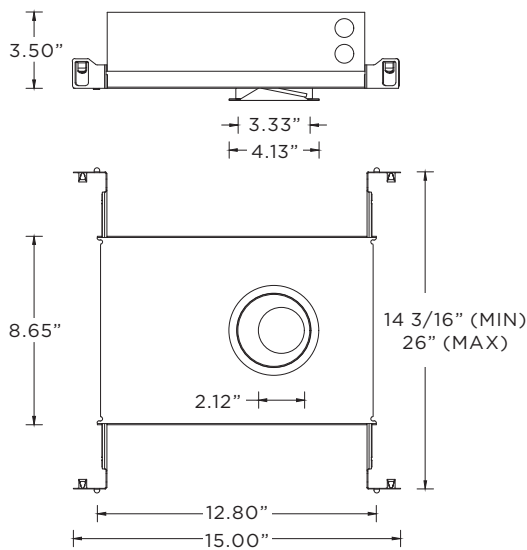
2200lm max



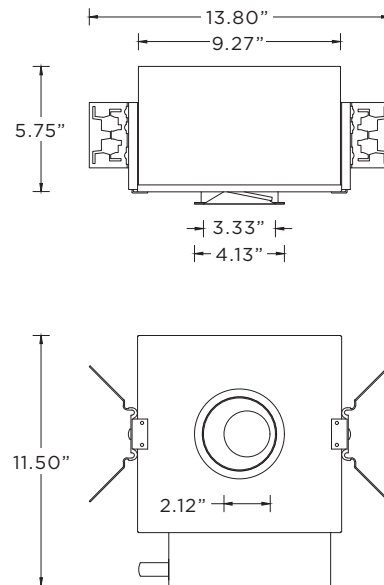
NCF - New Construction Frame (Non-IC)



SH - Shallow Housing (IC and Chicago Plenum Rated) (2200lm max)

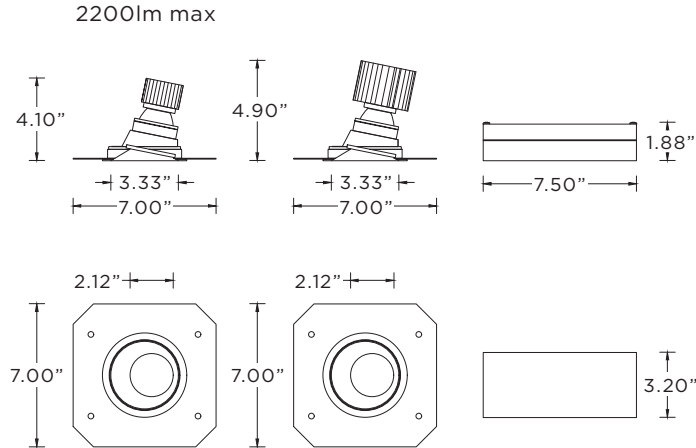


**NC - New Construction Housing (Non-IC and CP rated)
IC - New Construction IC Housing (2200lm max)**

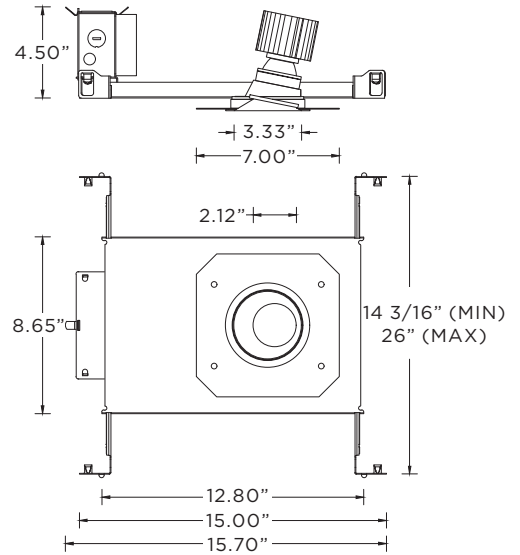


TRIMLESS HOUSING OPTIONS

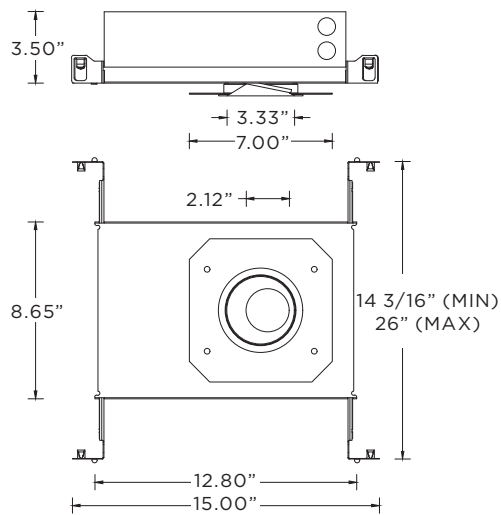
RMD - Remodel (Non-IC)



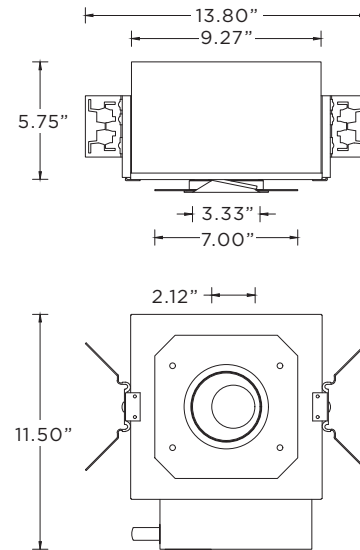
NCF - New Construction Frame (Non-IC)



SH - Shallow Housing (IC and Chicago Plenum Rated) (2200lm max)

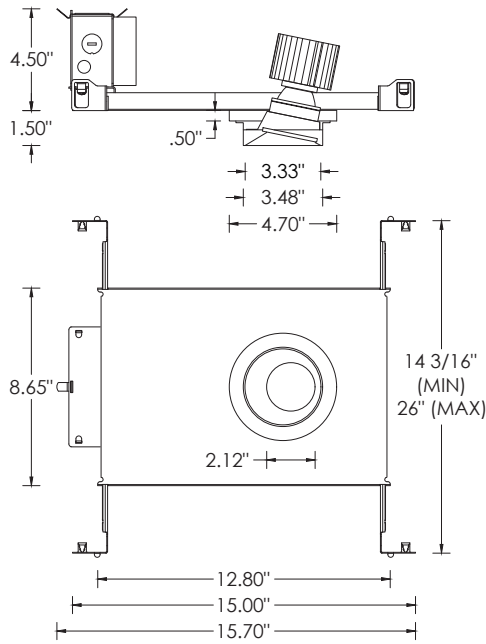


**NC - New Construction Housing (Non-IC and CP rated)
IC - New Construction IC Housing (2200lm max)**

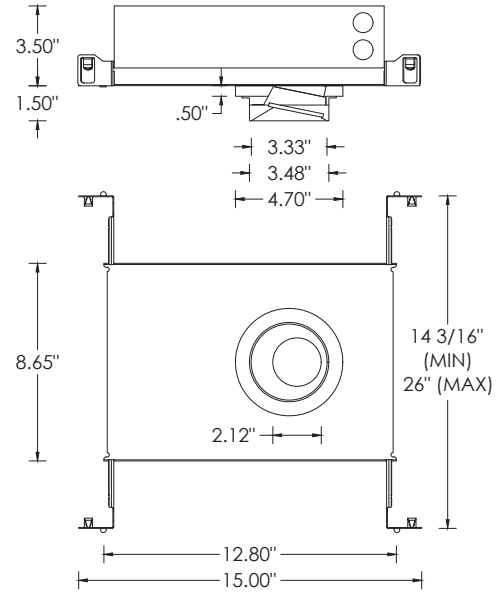


FLANGELESS MILLWORK OPTIONS

NCF - New Construction Frame (Non-IC)



SH - Shallow Housing (IC and Chicago Plenum Rated) (2200lm max)



NC - New Construction Housing (Non-IC and CP rated)
IC - New Construction IC Housing (2200lm max)

