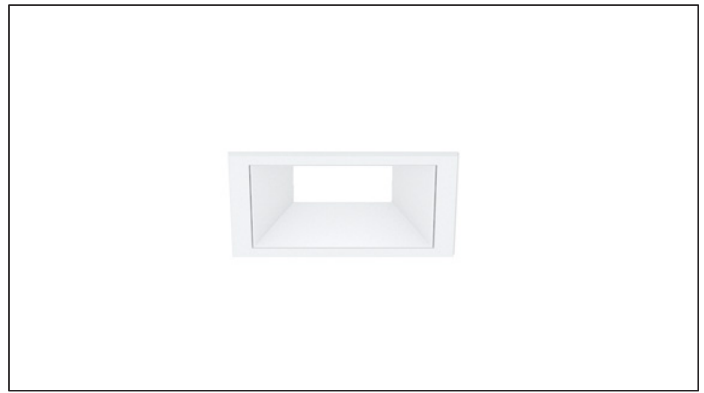




## 3G-DL33SF

3.3" SQUARE FIXED  
DOWNLIGHT  
DYNAMIC WHITE



Small 3.3" square, high performance dynamic white downlight  
Dim to Warm and Tunable White LED options up to 2000lm (90+ CRI)  
Regressed LED source for enhanced glare control  
Wet location option available  
Shallow housing available along with remodel and other housing options  
1% dimming standard with several integral driver options



### ORDERING INFORMATION

<b>PROJECT:</b>	<input type="text"/>	<b>TYPE:</b>	<input type="text"/>
<b>CATALOG #:</b>	<input type="text"/>	<b>DATE:</b>	<input type="text"/>

CAT. NO	LED SOURCE	LUMEN OUTPUT	CRI	BEAM ANGLE	VOLTAGE
<b>3G-DL33SF</b>	<b>DW</b> - DIM TO WARM (1800-3000K)	<b>08</b> - 800 LUMENS <b>12</b> - 1200 LUMENS	<b>H90</b> - 90+ CRI	<b>20D</b> - 20° <sup>3</sup> <b>40D</b> - 40° <b>60D</b> - 60° <b>90D</b> - 90° *	<b>UNV</b> - 120/277V <b>120</b> - 120V <b>347</b> - 347V (0-10V ONLY)
	<b>TW</b> - TUNABLE WHITE <sup>1,2</sup> (2700K-6500K)	<b>20</b> - 2000 LUMENS			

\* 90D reflector supplied standard with lens

DRIVER	FLANGE TYPE	BEVELED INSERT	HOUSING TYPE
<b>DIM</b> - 0-10V (STANDARD 100-1%) <b>LE</b> - PHASE DIMMING <sup>4</sup> (TRIAC/ELV, 100-1%) <b>LTEA</b> - LUTRON HI-LUME LTEA <sup>4</sup> (FWD PHASE, 100-1%) <b>DO1</b> - 0-10V (100-0.1%) <sup>1</sup> <b>DALI</b> - DALI (100-1%) <sup>1</sup> <b>DHL2</b> - LUTRON HI LUME LDE1 (1% ECOSYSTEM) <b>DMX</b> - DMX (100-0%) <sup>1</sup>	<b>WT</b> - WHITE TRIM <b>BT</b> - BLACK TRIM <b>XTR</b> - TRIMLESS <b>MWF</b> - FLANGELESS (MILLWORK) <sup>5</sup>	<b>WI</b> - WHITE <b>SI</b> - SILVER <b>BI</b> - BLACK	<b>RMD</b> - REMODEL (NON-IC) <b>NCF</b> - NEW CONSTRUCTION FRAME (NON-IC) <b>SH</b> - SHALLOW HOUSING (IC RATED & CP RATED) <b>NC</b> - NEW CONSTRUCTION HOUSING (CP RATED) <b>IC</b> - NEW CONSTRUCTION IC HOUSING

OPTIONS
<b>SF70</b> - SOFTENING LENS (SUPPLIED STANDARD) <b>LS70</b> - LINEAR SPREAD LENS <b>SB70</b> - SANDBLASTED LENS <b>WL</b> - WET LOCATION (SOFTENING LENS) <sup>6</sup> <b>CP</b> - CHICAGO PLENUM <sup>7</sup> <b>BH</b> - C-CHANNEL BAR HANGERS <b>EMR</b> - EMERGENCY BATTERY (REMOTE) <sup>8</sup>  Maximum 1 optical accessory

<sup>1</sup> Tunable White option available with DO1, DALI and DMX drivers  
<sup>2</sup> Tunable White option not available with Remodel and New Construction Frame Housing  
<sup>3</sup> 20D reflector available with 800 lumen output only  
<sup>4</sup> Phase dimming options available in 120V only  
<sup>5</sup> MWF not available with Remodel (NON-IC)  
<sup>6</sup> Wet location option provided standard with sealed softening lens. Not available with trimless option  
<sup>7</sup> Chicago Plenum option available with Shallow Housing and New Construction Housing  
<sup>8</sup> Emergency battery installed remotely by others. Not accessible through the inside of the fixture

**3GD** - Warm Dim  
**3GT** - Tunable White

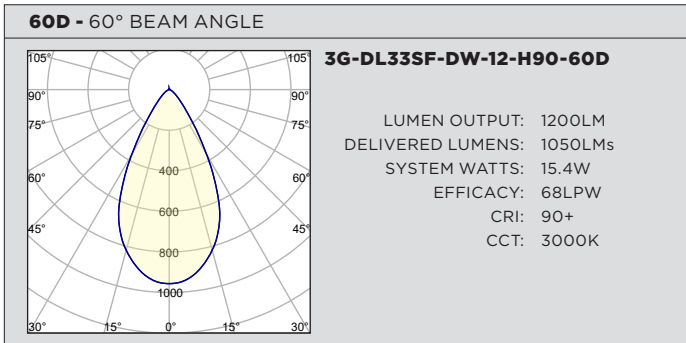
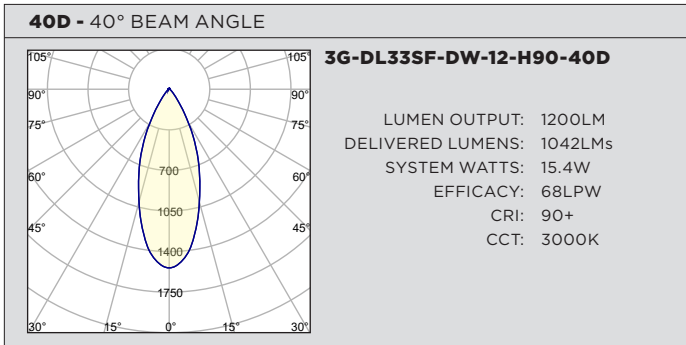
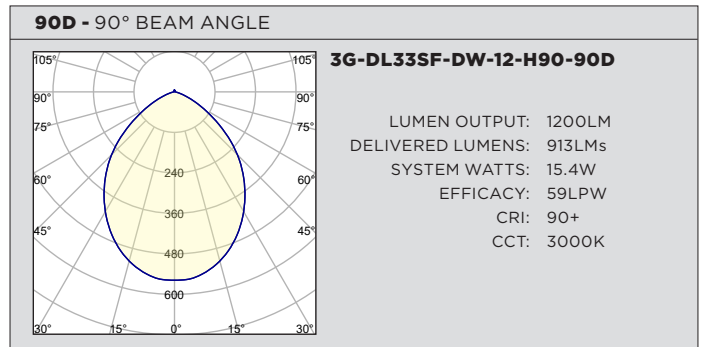
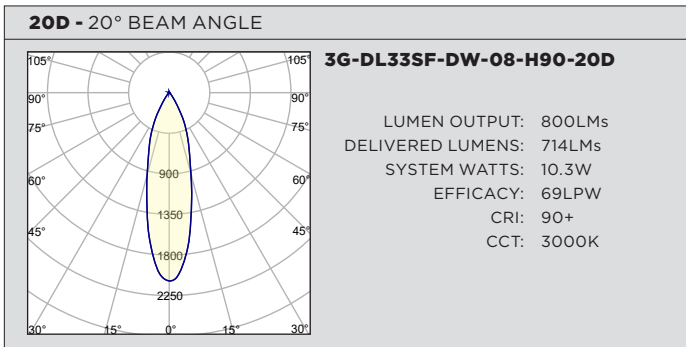
NOVEMBER 29, 2021



### PERFORMANCE CHART BASED ON 60° BEAM AND 3000K SOURCE WITH SOFTENING LENS

DIM TO WARM LUMEN OUTPUT	90+ CRI (3000K)		
	DELIVERED LUMENS	SYSTEM WATTS	EFFICACY (LPW)
800LMs	N/A	N/A	N/A
1200LMs	1050	15.4	68
2000LMs	1473	23.2	63

### PHOTOMETRY

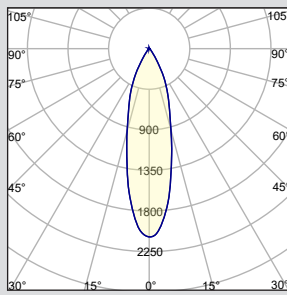


### PERFORMANCE CHART BASED ON 60° BEAM ANGLE WITH SOFTENING LENS

TUNABLE WHITE LUMEN OUTPUT	90+ CRI (2700K)			90+ CRI (3500K)			90+ CRI (6500K)		
	DELIVERED LUMENS	SYSTEM WATTS	EFFICACY (LPW)	DELIVERED LUMENS	SYSTEM WATTS	EFFICACY (LPW)	DELIVERED LUMENS	SYSTEM WATTS	EFFICACY (LPW)
<b>800LMs</b>	N/A	N/A	N/A	N/A	N/A	N/A	N/A	N/A	N/A
<b>1200LMs</b>	976	16.6	59	1047	16.6	63	1153	16.6	69
<b>2000LMs</b>	1407	24.5	57	1435	24.5	59	1679	24.5	69

### PHOTOMETRY

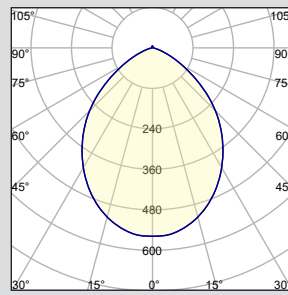
#### 20D - 20° BEAM ANGLE



#### 3G-DL33SF-TW-08-H90-20D

LUMEN OUTPUT: 800LM  
 DELIVERED LUMENS: 739LMs  
 SYSTEM WATTS: 12.6W  
 EFFICACY: 59LPW  
 CRI: 90+  
 CCT: 3500K

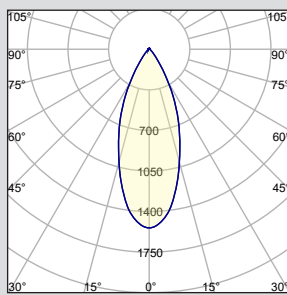
#### 90D - 90° BEAM ANGLE



#### 3G-DL33SF-TW-12-H90-90D

LUMEN OUTPUT: 1200LM  
 DELIVERED LUMENS: 911LMs  
 SYSTEM WATTS: 16.6W  
 EFFICACY: 55LPW  
 CRI: 90+  
 CCT: 3500K

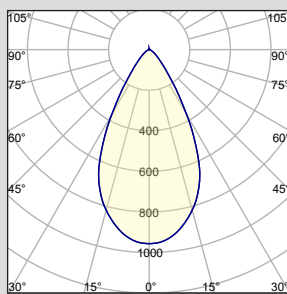
#### 40D - 40° BEAM ANGLE



#### 3G-DL33SF-TW-12-H90-40D

LUMEN OUTPUT: 1200LM  
 DELIVERED LUMENS: 1036LMs  
 SYSTEM WATTS: 16.6W  
 EFFICACY: 62LPW  
 CRI: 90+  
 CCT: 3500K

#### 60D - 60° BEAM ANGLE



#### 3G-DL33SF-TW-12-H90-60D

LUMEN OUTPUT: 1200LM  
 DELIVERED LUMENS: 1047LMs  
 SYSTEM WATTS: 16.6W  
 EFFICACY: 63LPW  
 CRI: 90+  
 CCT: 3500K

**TECHNICAL****HOUSING**

Remodel, new construction frame, shallow housing, and IC housing options available  
Maximum ceiling thickness of 1" (1.5" for Remodel housing). Consult factory for modifications  
All housing options designed to be easily converted in field to trim or trimless with minimal components  
Housing rated for #12 AWG (4 in, 4 out), 90°C conductors and through branch wiring

**BEVELED INSERT**

Cast aluminum beveled insert with matte powder coated finish  
3.3" aperture with regressed LED source for enhanced glare control

**TRIM**

Cast aluminum trim flange with matte powder coated finish and minimal 0.375" overlap

**TRIMLESS**

Cast aluminum mudding flange features a grooved surface for easy mud-in application  
Integral blocking support provided to ensure fixture is properly secured within ceiling structure

**OPTICS**

Regressed LED source for enhanced glare control  
Proprietary anodized, aluminum reflectors are field replaceable (20° reflector not interchangeable)  
Available in 20°, 40°, 60°, and 90°  
All models provided standard with softening lens  
Wet location option supplied standard with sealed softening lens

**ELECTRICAL**

Standard 0-10V, constant current drivers with 100-1% dimming range and >0.9 power factor  
Standard 120/277V universal voltage drivers. Optional 347V, 0-10V drivers  
120V Forward Phase/Reverse Phase driver option with 100-1% dimming range  
eldoLED 0-10V driver option available with 100-0.01% dimming range  
eldoLED DALI and Lutron EcoSystem driver options available with 100-1% dimming range  
DMX driver option available with 100-0% dimming range  
All drivers are integral and easily accessible through fixture aperture

**LED SYSTEM**

Bridgelux LED module (field replaceable)  
Color consistency <3 SDCM  
Standard 90+ CRI  
Dim to Warm (1800K-3000K)  
Tunable White (2700K-6500K)  
L70 >50,000 hours  
5 Year Warranty

**MOUNTING**

Trim fixture designed for use in drywall, wood, acoustic, and other architectural ceilings  
Trimless fixture designed for use in drywall, mud-in ceiling applications  
Recommended ceiling cut-out for Millwork Flangeless option (3.625" x 3.625" for ceilings up to 1"). Contact 3G for thicker ceilings  
Recommended ceiling cut-out for all housing options (3 15/16" x 3 15/16")  
New construction frame and IC rated shallow housings ship with bar hangers (14" to 26" extension)  
Standard new construction and IC housings available with optional c-channel bar hangers

**LISTING**

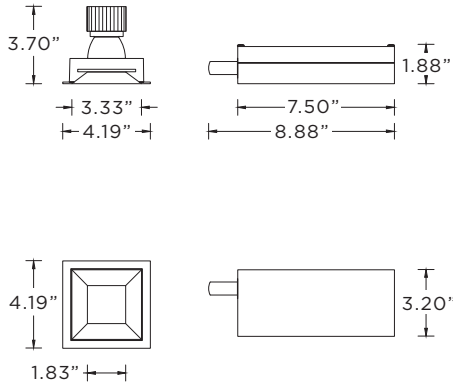
ETL listed and tested to cUL standards. Suitable for dry and damp locations

**WARRANTY**

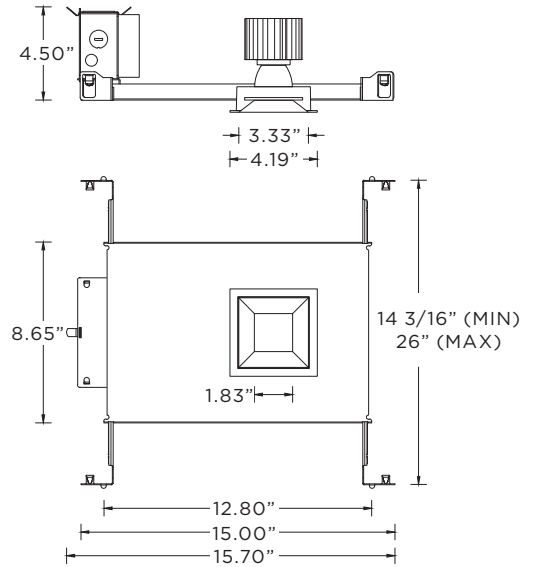
5 Year Warranty on LED and drivers  
Manufacturer 1 Year Warranty for defects in material and workmanship under normal use  
Ambient temperature at fixture should not exceed 25°C

**TRIM HOUSING OPTIONS**

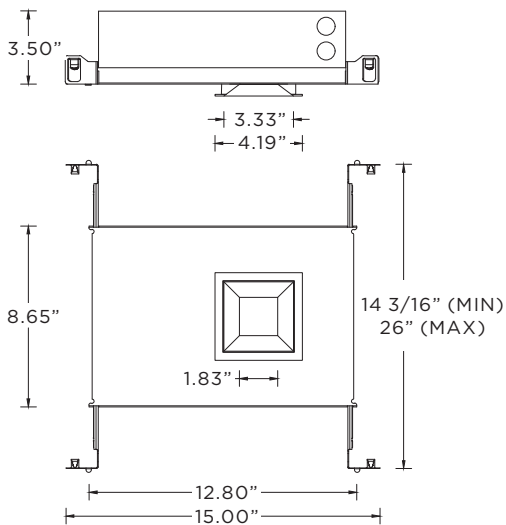
**RMD - Remodel (Non-IC)**



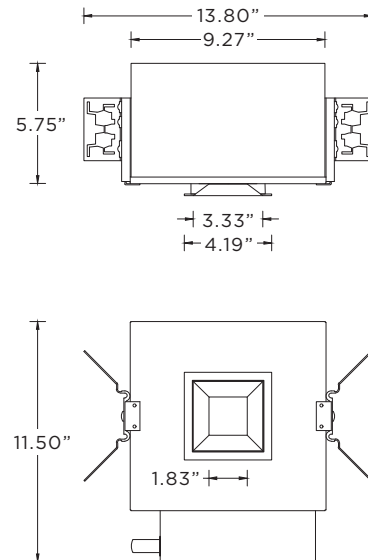
**NCF - New Construction Frame (Non-IC)**



**SH - Shallow Housing (IC and Chicago Plenum Rated)**

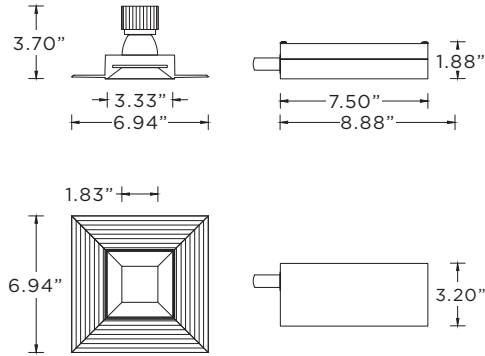


**NC - New Construction Housing (Non-IC and CP rated)  
IC - New Construction IC Housing**

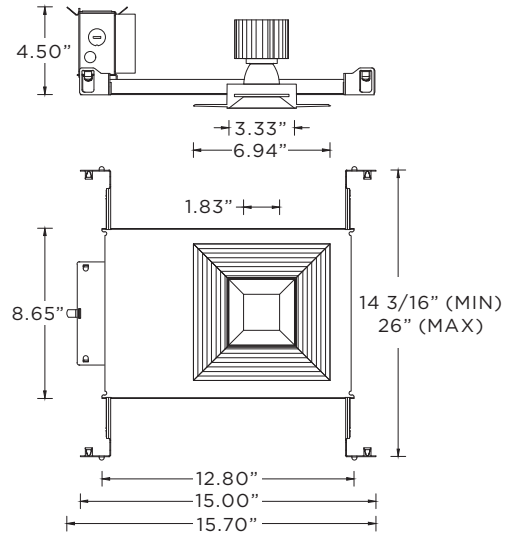


**TRIMLESS HOUSING OPTIONS**

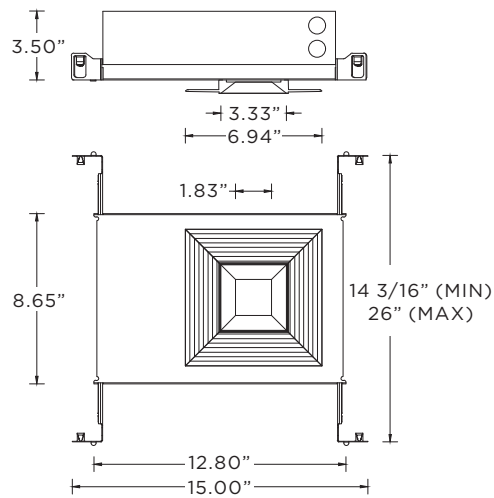
**RMD - Remodel (Non-IC)**



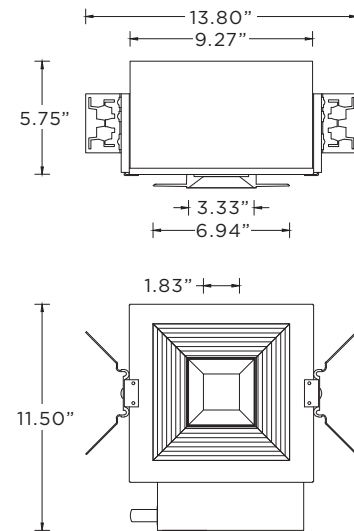
**NCF - New Construction Frame (Non-IC)**



**SH - Shallow Housing (IC and Chicago Plenum Rated)**

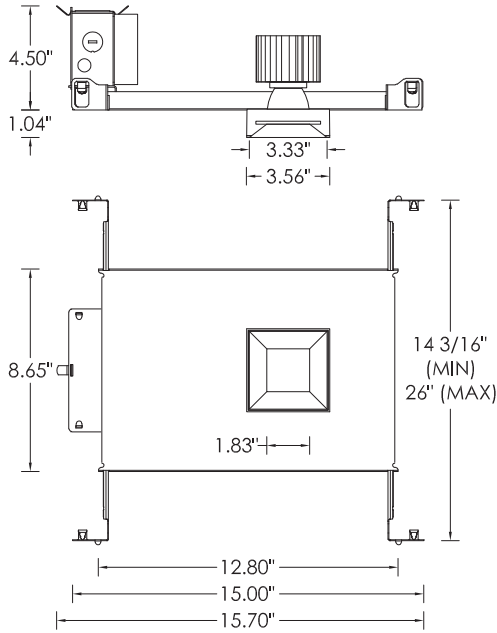


**NC - New Construction Housing (Non-IC and CP rated)  
IC - New Construction IC Housing**

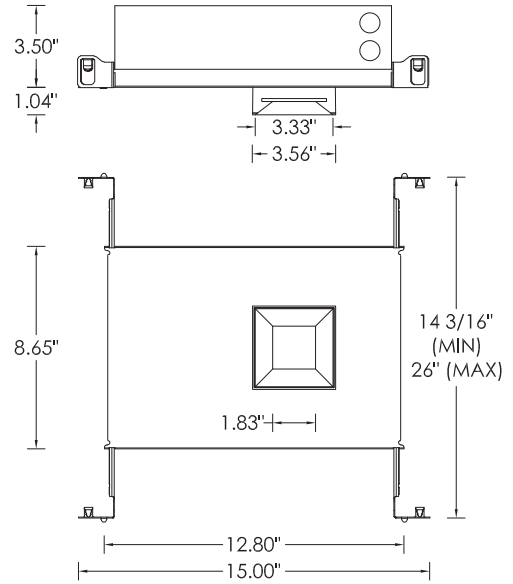


**FLANGELESS MILLWORK OPTIONS**

**NCF** - New Construction Frame (Non-IC)



**SH** - Shallow Housing (IC and Chicago Plenum Rated) (2200lm max)



**NC** - New Construction Housing (Non-IC and CP rated)  
**IC** - New Construction IC Housing (2200lm max)

