



## 3G-DL33SF

3.3" SQUARE FIXED  
DOWNLIGHT



Small 3.3" square, high performance downlight  
 Regressed LED source for enhanced glare control  
 Lumen range up to 4000lm (80+, 90+, and 97+ CRI options)  
 Wet location option available  
 Shallow housing available along with remodel and other housing options  
 1% dimming standard with several integral driver option

### ORDERING INFORMATION

<b>PROJECT:</b>	<input type="text"/>	<b>TYPE:</b>	<input type="text"/>
<b>CATALOG #:</b>	<input type="text"/>	<b>DATE:</b>	<input type="text"/>

CAT. NO	LUMEN OUTPUT	CRI	COLOR TEMP	BEAM ANGLE	VOLTAGE
<b>3G-DL33SF</b>	<b>10</b> - 1000 LUMENS	<b>S80</b> - 80+ CRI	<b>27K</b> - 2700K	<b>20D</b> - 20° <sup>2</sup>	<b>UNV</b> - 120/277V
	<b>15</b> - 1500 LUMENS	<b>H90</b> - 90+ CRI	<b>30K</b> - 3000K	<b>40D</b> - 40°	<b>120</b> - 120V
	<b>22</b> - 2200 LUMENS	<b>H97</b> - 97+ CRI <sup>1</sup>	<b>35K</b> - 3500K	<b>60D</b> - 60°	<b>347</b> - 347V
	<b>30</b> - 3000 LUMENS		<b>40K</b> - 4000K	<b>90D</b> - 90° *	(0-10V ONLY)
	<b>40</b> - 4000 LUMENS				

\* 90D reflector supplied standard with lens

DRIVER	FLANGE TYPE	BEVELED INSERT	HOUSING TYPE
<b>DIM</b> - 0-10V (STANDARD 100-1%)	<b>WT</b> - WHITE TRIM	<b>WI</b> - WHITE	<b>RMD</b> - REMODEL (NON-IC)
<b>LE</b> - PHASE DIMMING <sup>3</sup> (TRIAC/ELV, 100-1%)	<b>BT</b> - BLACK TRIM	<b>SI</b> - SILVER	<b>NCF</b> - NEW CONSTRUCTION FRAME (NON-IC)
<b>LTEA</b> - LUTRON HI-LUME LTEA <sup>3</sup> (FWD PHASE, 100-1%)	<b>XTR</b> - TRIMLESS	<b>BI</b> - BLACK	<b>SH</b> - SHALLOW HOUSING <sup>6</sup> (IC RATED & CP RATED)
<b>D01</b> - 0-10V (eldoLED, 100-0.1%) <sup>4</sup>	<b>MWF</b> - FLANGELESS (MILLWORK) <sup>5</sup>		<b>NC</b> - NEW CONSTRUCTION HOUSING (CP RATED)
<b>DALI</b> - DALI (100-1%) <sup>4</sup>			<b>IC</b> - NEW CONSTRUCTION IC HOUSING <sup>6</sup>
<b>DHL2</b> - LUTRON HI-LUME LDE1 (1% ECOSYSTEM)			
<b>DMX</b> - DMX (eldoLED, 100-0%) <sup>4</sup>			

OPTIONS
<b>SF70</b> - SOFTENING LENS (SUPPLIED STANDARD)
<b>LS70</b> - LINEAR SPREAD LENS
<b>SB70</b> - SANDBLASTED LENS
<b>WL</b> - WET LOCATION (SOFTENING LENS) <sup>7</sup>
<b>CP</b> - CHICAGO PLENUM <sup>8</sup>
<b>BH</b> - C-CHANNEL BAR HANGERS
<b>EMR</b> - EMERGENCY BATTERY (REMOTE) <sup>9</sup>

Maximum 1 optical accessory

<sup>1</sup> 97+ CRI available up to 3000lm. Available in 30K and 35K as standard  
<sup>2</sup> 20D reflector available up to 2200lm  
<sup>3</sup> Phase dimming options available in 120V only  
<sup>4</sup> D01, DALI and DMX available up to 2200lm. DALI-2 (Type 6) provided as standard. consult factory for DALI Type 8 option  
<sup>5</sup> MWF not available with Remodel (NON-IC)  
<sup>6</sup> IC rated Shallow Housing and New Construction IC housing available up to 2200lm  
<sup>7</sup> Wet location option provided standard with sealed softening lens. Not available with trimless option  
<sup>8</sup> Chicago Plenum option available with Shallow Housing (2200lm max) and New Construction Housing  
<sup>9</sup> Emergency battery installed remotely by others. Not accessible through the inside of the fixture

NOVEMBER 29, 2021

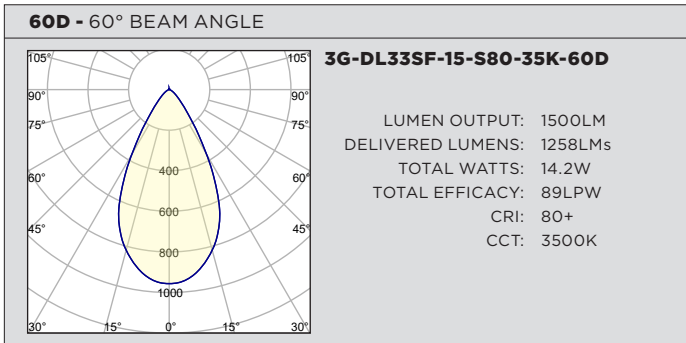
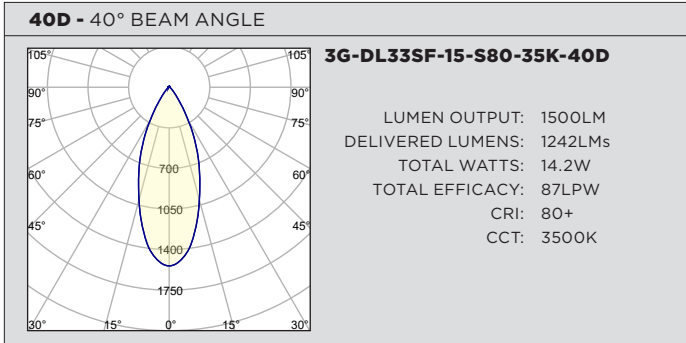
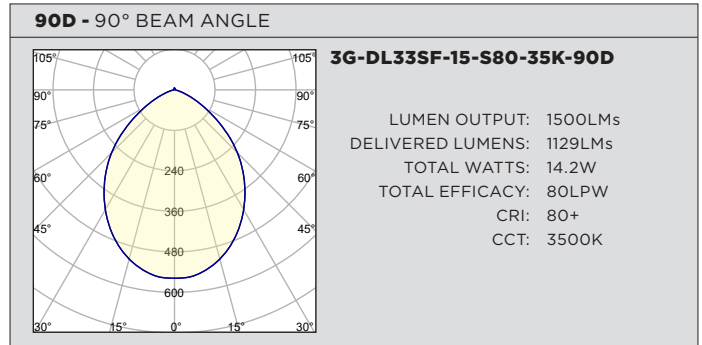
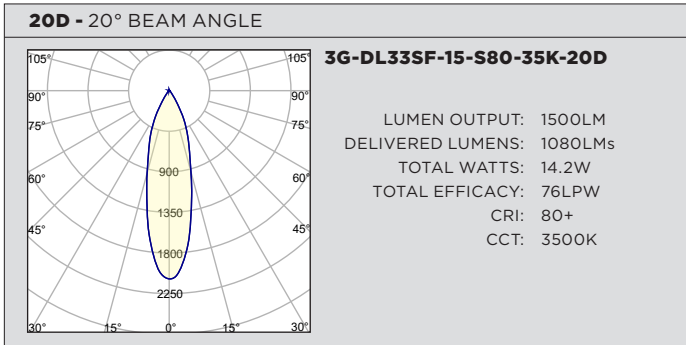


### PERFORMANCE CHART BASED ON 60° BEAM ANGLE AND 3500K SOURCE WITH SOFTENING LENS

LUMEN OUTPUT	80+ CRI			90+ CRI			97+ CRI		
	DELIVERED LUMENS	SYSTEM WATTS	EFFICACY (LPW)	DELIVERED LUMENS	SYSTEM WATTS	EFFICACY (LPW)	DELIVERED LUMENS	SYSTEM WATTS	EFFICACY (LPW)
<b>1000LMs</b>	925	10.4	89	814	10.4	78	759	10.4	73
<b>1500LMs</b>	1258	14.2	89	1107	14.2	78	1031	14.2	73
<b>2200LMs</b>	1832	22.5	81	1612	22.5	72	1502	22.5	67
<b>3000LMs</b>	2443	31.8	77	2150	31.8	68	2003	31.8	63
<b>4000LMs</b>	3309	44.2	75	2912	44.2	66	N/A	N/A	N/A

LUMEN OUTPUT ADJUSTMENT FACTORS	CCT	Multiplier
	2700K	0.945
	3000K	0.985
	3500K	1.00
	4000K	1.01

### PHOTOMETRY



**TECHNICAL****HOUSING**

Remodel, new construction frame, shallow housing, and IC housing options available  
Maximum ceiling thickness of 1" (1.5" for Remodel housing). Consult factory for modifications  
All housing options designed to be easily converted in field to trim or trimless with minimal components  
Housing rated for #12 AWG (4 in, 4 out), 90°C conductors and through branch wiring

**BEVELED INSERT**

Cast aluminum beveled insert with matte powder coated finish  
3.3" aperture with regressed LED source for enhanced glare control

**TRIM**

Cast aluminum trim flange with matte powder coated finish and minimal 0.375" overlap

**TRIMLESS**

Cast aluminum mudding flange features a grooved surface for easy mud-in application  
Integral blocking support provided to ensure fixture is properly secured within ceiling structure

**OPTICS**

Regressed LED source for enhanced glare control  
Proprietary anodized, aluminum reflectors are field replaceable (20° reflector not interchangeable)  
Available in 20°, 40°, 60°, and 90°  
All models provided standard with softening lens  
Wet location option supplied standard with sealed softening lens

**ELECTRICAL**

Standard 0-10V, constant current drivers with 100-1% dimming range and >0.9 power factor  
Standard 120/277V universal voltage drivers. Optional 347V, 0-10V drivers  
120V Forward Phase/Reverse Phase driver option with 100-1% dimming range  
eldoLED 0-10V driver option available with 100-0.01% dimming range  
eldoLED DALI and Lutron EcoSystem driver options available with 100-1% dimming range  
DMX driver option available with 100-0% dimming range  
All drivers are integral and easily accessible through fixture aperture

**LED SYSTEM**

Citizen LED module (field replaceable)  
Color consistency <2 SDCM  
Standard (80+ CRI). Optional (90+ and 97+ CRI)  
Available in 27K, 30K, 35K, and 40K  
L90 >50,000 hours  
5 Year Warranty

**MOUNTING**

Trim fixture designed for use in drywall, wood, acoustic, and other architectural ceilings  
Trimless fixture designed for use in drywall, mud-in ceiling applications  
Recommended ceiling cut-out for Millwork Flangeless option (3.625" x 3.625" for ceilings up to 1"). Contact 3G for thicker ceilings  
Recommended ceiling cut-out for all housing options (3 15/16" x 3 15/16")  
New construction frame and IC rated shallow housings ship with bar hangers (14" to 26" extension)  
Standard new construction and IC housings available with optional c-channel bar hangers

**LISTING**

ETL listed and tested to cUL standards. Suitable for dry and damp locations

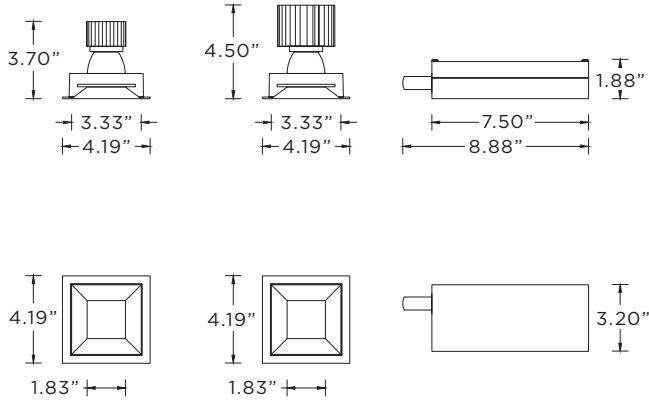
**WARRANTY**

5 Year Warranty on LED and drivers  
Manufacturer 1 Year Warranty for defects in material and workmanship under normal use  
Ambient temperature at fixture should not exceed 25°C

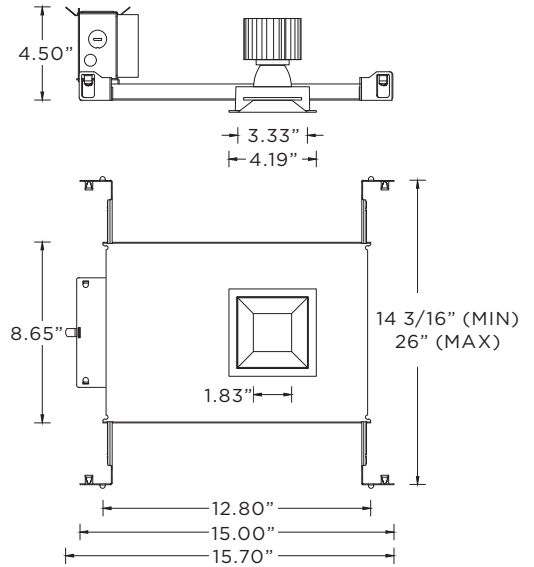
**TRIM HOUSING OPTIONS**

**RMD - Remodel (Non-IC)**

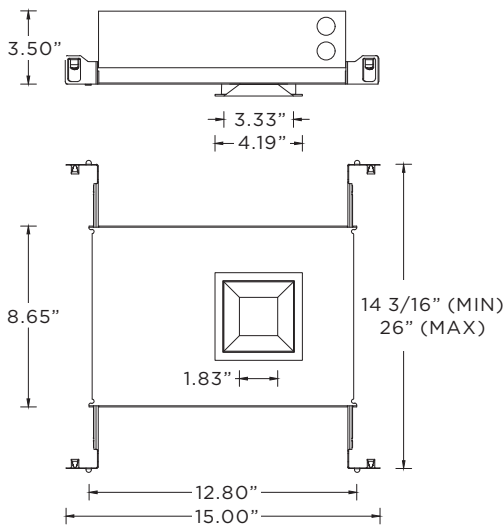
2200lm max      3000lm/4000lm



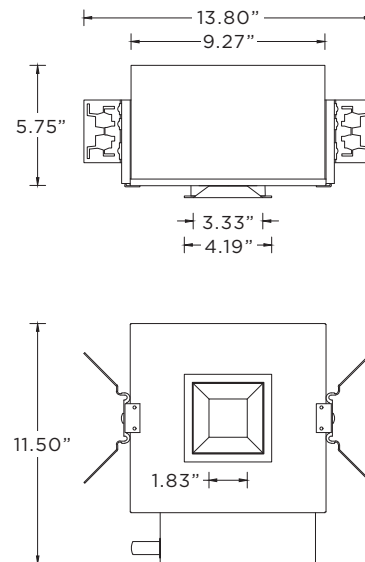
**NCF - New Construction Frame (Non-IC)**



**SH - Shallow Housing (IC and Chicago Plenum Rated) (2200lm max)**

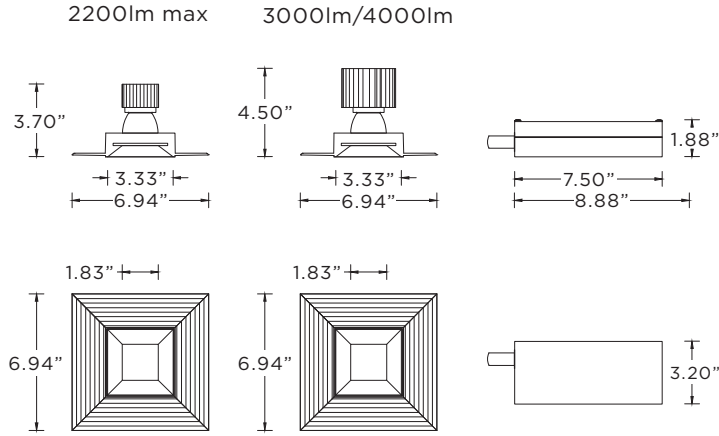


**NC - New Construction Housing (Non-IC and CP rated)  
IC - New Construction IC Housing (2200lm max)**

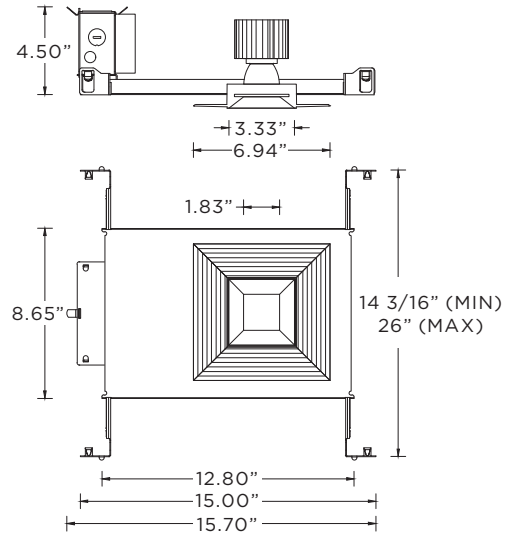


**TRIMLESS HOUSING OPTIONS**

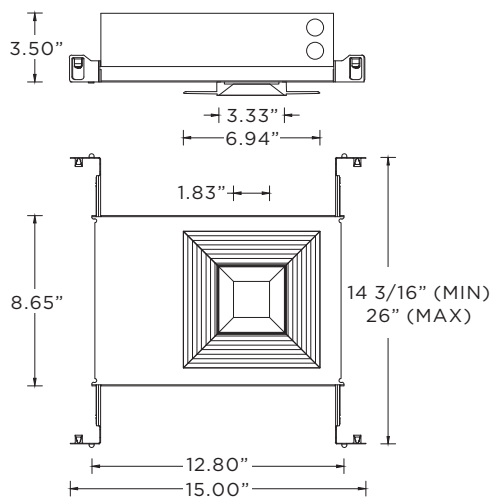
**RMD - Remodel (Non-IC)**



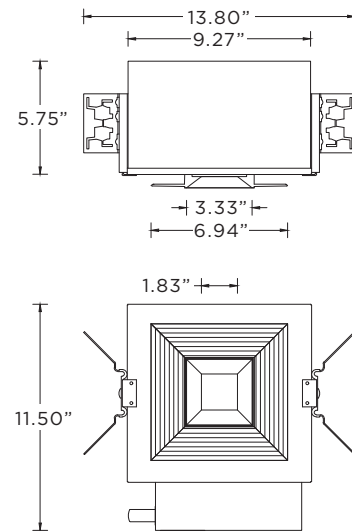
**NCF - New Construction Frame (Non-IC)**



**SH - Shallow Housing (IC and Chicago Plenum Rated) (2200lm max)**

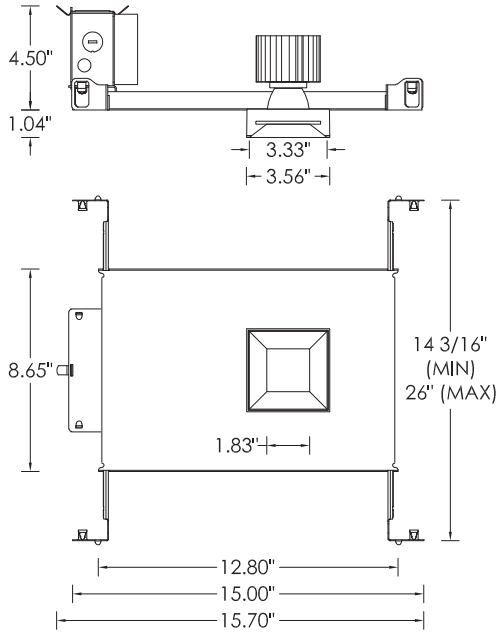


**NC - New Construction Housing (Non-IC and CP rated)**  
**IC - New Construction IC Housing (2200lm max)**

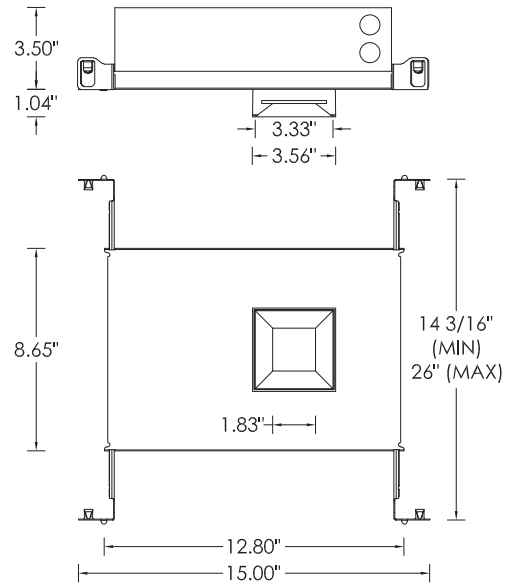


**FLANGELESS MILLWORK OPTIONS**

**NCF** - New Construction Frame (Non-IC)



**SH** - Shallow Housing (IC and Chicago Plenum Rated) (2200lm max)



**NC** - New Construction Housing (Non-IC and CP rated)  
**IC** - New Construction IC Housing (2200lm max)

