

Avero 2

TMSLIGHTING

ESTABLISHED 1923



Features

- Nautic design and durable construction suitable for most exterior applications
- Semi cut-off distribution
- Practical and aesthetic options for application and design flexibility
- Quality components combined with the most current technology for high efficiency and reduced lighting costs
- Also available with a bracket for mounting on a wall

Applications

The Avero 2 is ideal for illuminating outdoor areas requiring a balance of good horizontal and vertical illumination. Suitable applications include outdoor plazas, boardwalks, residential areas, pathways, and recreational areas.

Construction

The pole is manufactured with 4.5" OD extruded aluminum, with a one-piece, spun aluminum base cover. The reflectors are 16" diameter spun aluminum, with prismatic, glass globe diffusers.

Lamp

Operates with Cree™ LED (2x 15W max.), compact fluorescent (2x 32W max.), metal halide (2x 100W max.), and incandescent (2x 150W max.) sources.

Note: Luminaire is designed to operate with E-17 metal halide lamps.

Integral LED systems use 120-277V supply voltage, and are not compatible with 347V. Incandescent systems are compatible with a 120V supply voltage only. Only CF and MH systems are available with a 347V supply.

Incandescent and metal halide systems use medium base lamp sockets (E26). Lamp sockets are installed with CF, MH and INC systems. LED modules are wired directly to the integral driver, and do not require a lamp socket.

Only integrated LED sources are supplied, not lamps.

Ballast / LED Driver

Ballasts are integral and electronic. They are efficient with a high power factor greater than 90%, and quiet with an "A" sound rating.

The LED source is controlled by an advanced, integral electronic driver that delivers consistent power.

Surge Suppressor

All 120V, 277V, and universal voltage LED luminaires are equipped with an integral, 6kV surge suppressor.

Diffuser

The globe diffuser is formed with prismatic glass, providing wide area coverage. The size will depend on the lamp installed.

Note: The G3 globe is used with 100IN, 32CF, and 15LED max.

Emergency

Integral, emergency back-ups are available, maintaining a power supply to the luminaire in case of a power interruption. Cold packs are available for variable climates.

Note: The emergency back-up option is available to systems with 120-277V supply only.

The test switch and indicator light would be installed remotely.

Integral CF or LED: (min. operating temp. +5C/+40F)

Integral CF or LED with cold pack: (min. operating temp. -20C/-4F)



IP55 CE

Avero 2

TMSLIGHTING

ESTABLISHED 1923



Features

- Nautic design and durable construction suitable for most exterior applications
- Semi cut-off distribution
- Practical and aesthetic options for application and design flexibility
- Quality components combined with the most current technology for high efficiency and reduced lighting costs
- Also available with a bracket for mounting on a wall

Options

Photocell: Switches the luminaire ON at dusk, and OFF at dawn .

Wire Guard: Chrome-plated type for outdoors, protects the light source from debris.

Ground Fault Indicator: A GFI receptacle could be installed to prevent a short-circuit from occurring in the line.

Note: The ground fault indicator receptacle is available with a 120V supply only. The lock would be provided by others.

Finish

Available in several TMS standard, polyester powder-coated, and custom RAL finishes. The reflectors may also be brushed solid copper or brushed 316L stainless steel. See page 3, and the "Finishes and Diffusers" chart.

Note: Brushed copper is protected with a clear coat, yet patina will form over time with exposure to the elements.

Mounting

Direct burial and surface-mount configurations are available. See the installation instructions for mounting details, and adhere to the local electrical code.

Note: A base cover is provided for surface mounting only.

Compliances

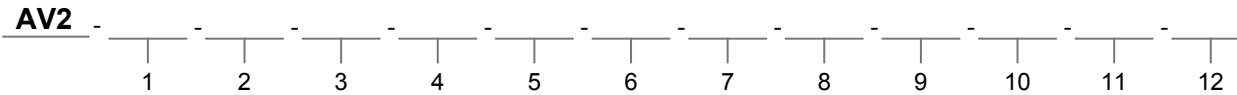
QPS-C/US, or UL-C/US certified to UL1598 standards. Rated IP55 for use in dry to wet, indoor and outdoor locations. The Consultants Europe (CE) listing is available upon request.



Avero 2

TMSLIGHTING

ESTABLISHED 1923



Project: _____
 Type: _____
 Quantity: _____
 Notes:

Note: Some options may not be compatible with others. To ensure compatibility between options, please visit tmslighting.com, on the "details" page of this luminaire, and use the configuration tool.

1 • Mounting

SM: Surface mount
 BM: Burial mount - 48"
 (121 cm) below grade

2 • Height

10: 120" OAH (305cm),
 93"h (236 cm) to the reflector
 12: 144" OAH (366 cm),
 117"h (297 cm) to the reflector
 14: 168" OAH (426 cm),
 141"h (258 cm) to the reflector

3 • Lamping

150IN2: 150W INC (A21)
 32CF2: 32W CF (PL-T)
 100MH2: 100W MH (E-17)
 15LED2: 15W LED (CRI 80)

4 • LED CCT (color temp.)

---: None
 30K: 3000K
 35K: 3500K
 40K: 4000K

5 • Voltage

120: 120V
 277: 277V
 347: 347V (n/a with LED)

6 • Pole Finish

F05: White
 F08: Midnight blue
 F09: Pewter
 F10: Fire red
 F13: Forest green
 F15: Matte black
 F16: Gloss black
 F18: Flat aluminum
 F19: Mirror silver
 F21: Architectural bronze
 F31: Silver metallic
 F32: Bronze metallic
 F33: Pyrite bronze
 RAL: RAL custom color (specify)

7 • Reflector Finish

OO: Same as pole finish
 AN: Anodized
 CO: Solid copper (brushed with clear coat)
 SS: 316L stainless steel (brushed)

8 • Globes

G3: Prismatic, elongated, glass globe (x2)

9 • Emergency

---: None
 EM: Integral CF or LED
 (min. operating temp. +5°C/+40°F)
 EMC: Integral CF or LED cold pack
 (min. operating temp. -20°/-4°F)

10 • Receptacle

---: None
 GF1: 120V GFI receptacle with in-use
 cover (lock by others)

11 • Photocell

---: None
 PC: Photocell

12 • Wire Guard

---: None
 W1V: W1V wire guard (chrome-plated)

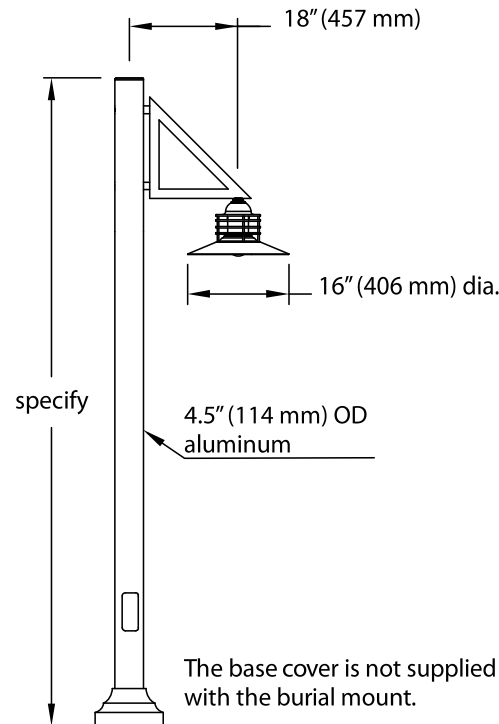


Avero 2

TMSLIGHTING

ESTABLISHED 1923

Dimensions



Custom

TMS Lighting can customize this and many of our standard fixtures. The dimensions, lamp types, enclosure and colors could be modified to suit your lighting and architectural requirements. Contact your local representative for more details: <http://www.tmslighting.com/info/agents>

Specifications are subject to change without notice.

TMS Lighting Inc.
247A Summerlea Road,
Brampton, Ontario,
Canada. L6T 4E1

Web Site: tmslighting.com

North America: (905) 793-1174
Toll-free: (866) 793-1174
Fax: (905) 793-1175

UK & Europe: 44-1474-250-654