

Jazz



Features

- Available in sizes from 14" to 24" in diameter
- Provides excellent coverage and uniformity, suitable for general and localized lighting
- Practical options for application and design flexibility
- Surge protection for internal components
- Quality components combined with the most current technology for high efficiency and reduced lighting costs

Applications

The Jazz pendant is ideal for illuminating areas where localized distribution is necessary, such as lounges and patios. It lends itself to commercial applications that could benefit from clean, wide distribution in a stylish design, economically. Jazz could either augment the existing lighting system, or illuminate a small to medium-sized area.

TMSLIGHTING

ESTABLISHED 1923

Construction

High grade spun aluminum, solid copper, or 316L stainless steel reflector, with stainless steel mounting hardware. Available in sizes of 14", 16", 18", 20", 22" and 24" in diameter.

Lamp

Operates with integrated Cree™ LED (19W max.). Specify 3000K, 3500K, or 4000K CCT for LED systems. A dimmable, 17W LED lamp is also available (PAR 38, E26 screw type base, CCT 4000K, 60° beam).

Note: Those using the 17W LED PAR 38 lamp, use a medium base socket (E26).

LED Driver / Ballast

The LED source is controlled by an advanced driver, delivering consistent power.

Ballasts are integral and electronic. They are efficient with a high power factor greater than 90%, and quiet with an "A" sound rating.

Diffuser

Globe: optional, clear and prismatic, tempered glass globes are available, for greater diffusion and lamp protection.

Globe with Cast Guard: the combination is available for greater diffusion, and more robust lamp protection.

Note: G1, G3, G11 and G11P are used with 15LED max.

Globes are not available with the 17W LED PAR 38 lamps.

Option

Wire Guard: a steel, chrome-plated wire guard is available for lamp protection, which also serves as a vandal deterrent.

Dimming

The LED dimming option is the 0-10V, current-sinking type.

Note: Use a current-sinking dimming system (by others) for LED dimming.

Compatibility of this product is not guaranteed with all control systems.

Dimming is not available with 347V systems.

Jazz



Features

- Available in sizes from 14" to 24" in diameter
- Provides excellent coverage and uniformity, suitable for general and localized lighting
- Practical options for application and design flexibility
- Surge protection for internal components
- Quality components combined with the most current technology for high efficiency and reduced lighting costs

TMSLIGHTING

ESTABLISHED 1923

Emergency

For LED systems, integral and remote mount emergency back-ups are available, in either the standard temperature or cold temperature type.

Note: The test switch and indicator light would be remote.

See specifications in "Emergency Backups for Pendant Lights".

Finish

Available in brushed copper, 316L steel or aluminum, TMS polyester powder-coated, and RAL finishes; see the "Finishes and Diffusers" chart. The selected finish would be applied to all areas of the luminaire. Custom RAL finishes are available by special order.

Note: A clear coat is applied to copper, yet patina will form over time.

Mounting

Mount to a ceiling, directly to a standard 4" electrical junction box. Jazz is available with either the drop cord mount (120" / 3.048 m max., IP20, indoor), or the stem mount (60" / 1.524 m max., 1/2" NPT std., IP23, indoor/outdoor).

Follow the installation instructions, and adhere to your local electrical code.

Mounting Accessories

Aircraft Cable: combined with the drop cord mount, provides stronger support.

Ceiling Slope Adapter: keeps the pendant hanging vertically when installed on a sloped ceiling (20° slope max.).

Note: The aircraft cable or ceiling slope adapter may be required to comply with the local seismic/earthquake code.

Compliances

Rated IP20, for indoor locations, with the drop cord/aircraft cable mount; or IP23, for indoor and outdoor locations, with the stem mount. QPS-C/US, or UL-C/US certified to UL1598 standards.

Consult the factory for the Consultants Europe (CE) certification.



Jazz

TMSLIGHTING

ESTABLISHED 1923

JAZ

1 2 3 4 5 6 7 8 9 10 11

Project: _____
Type: _____
Quantity: _____

Notes:

1 • Location

I: Indoor
O: Outdoor

2 • Diameter

14: 14" (36 cm) dia.
16: 16" (41 cm) dia.
18: 18" (46 cm) dia.
20: 20" (51 cm) dia.
22: 22" (56 cm) dia.
24: 24" (61 cm) dia.

3 • Lamping

17LED: 17W LED (PAR 38, supplied)
15LED: 15W LED (14"-18"
dia.) 19LED: 19W LED
(14"-18" dia.)

4 • Mounting

CRD: Drop cord (120", indoor)
C__ : Stem mount - 1", 6", 12",
18", 24", 36", 48" or 60"

5 • LED CCT (color temp.)

30K: 3000K (CRI 80)
35K: 3500K (CRI 80)
40K: 4000K (CRI 80)

6 • Diameter

120: 120V
277: 277V

7 • Finish

AN: Anodized (bright)
BR: Brushed aluminum
CO: Solid copper (brushed; stem mount
would be black)
GA: Galvanized (rough; stem mount
would be flat silver)
SS: Stainless steel 316L (brushed; stem
mount would be silver metallic)

F05: White
F08: Midnight blue
F10: Fire red
F13: Forest green
F14: Sunshine yellow
F15: Matte black
F16: Gloss black
F19: Mirror silver
RAL: RAL custom color (specify)
These are some popular finishes. For the
complete collage, please see the
"Finishes and Diffusers" chart.

8 • Globes

G1: Clear, elongated globe
G3: Prismatic, elongated globe
G9: Clear, elongated, large globe
G10: Large, elongated, prismatic globe
G11: Clear, elongated globe w/cast guard
G11P: Prismatic, elongated globe w/cast guard
G12: Clear elongated, large globe w/cast guard

9 • Dimming

—: None
DIML: LED dimming (0-10V, current-sinking)
Note: Use a current-sinking dimming system for LED
dimming.
The dimming option is not available with 347V systems.
Compatibility is not guaranteed with all control systems.

10 • Emergency

—: None
EM: Integral LED (min. operating temp. +5°C/
+40°F)
EMC: Integral LED cold pack (min. operating
temp. -20°C/-4°F)
EMR: Remote LED (20 ft. / 6.096 m max. distance
from EM to lamp; min. operating temp. +5°C/
+40°F, dry location mounting)
EMCR: Remote LED cold pack (20 ft. / 6.096 m max.
distance from EM to lamp; min. operating temp.
-20°C/-4°F)

11 • Mounting Accessories

—: None
ACC: Aircraft cable for drop cords
(10 ft. / 3.048 m length)
BL: Ceiling slope adapter for stem mounting
(20° slope max.)
Note: ACC or BL may be required to comply with the
local seismic/earthquake code.

Note: Some options may not be compatible with others. To ensure compatibility between options, please visit tmslighting.com, on the "details" page of this luminaire, and use the configuration tool.

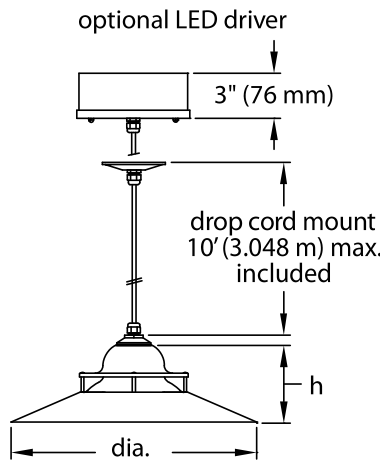


Jazz

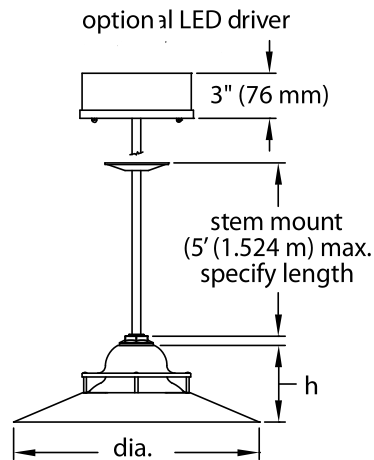
TMSLIGHTING

ESTABLISHED 1923

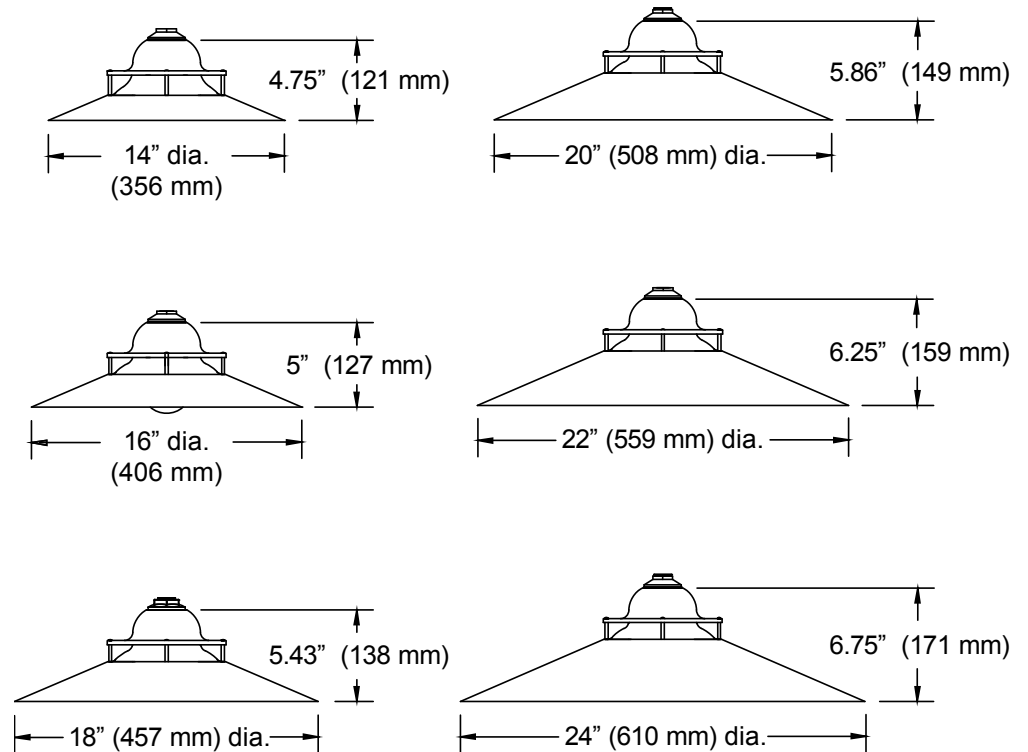
Drop Cord Mount



Stem Mount



Sizes



Custom

TMS Lighting can customize this and many of our standard fixtures. The dimensions, lamp types, enclosure and colors could be modified to suit your lighting and architectural requirements. Contact your local representative for more details: <http://tmslighting.com/info/agents>

Specifications are subject to change without notice.

TMS Lighting Inc.
247A Summerlea Road,
Brampton, Ontario,
Canada. L6T 4E1

Web Site: tmslighting.com

North America: (905) 793-1174
Toll-free: (866) 793-1174
Fax: (905) 793-1175

UK & Europe: 44-1474-250-654