

Nautic

TMSLIGHTING

ESTABLISHED 1923



Features

- Available in sizes from 14" to 24" in diameter
- Provides excellent coverage and uniformity, suitable for general and localized lighting
- Practical options for application and design flexibility
- Surge protection for internal components
- Quality components combined with the most current technology for high efficiency and reduced lighting costs

Applications

The Nautic pendant is ideal for illuminating indoor and outdoor areas where the quality of light, style and economy are important. It lends itself to a broad spectrum of architectural applications.

Construction

High grade spun aluminum, brushed copper, or brushed stainless steel reflector, with stainless steel mounting hardware. Available in sizes of 14", 16", 18", 20", 22" and 24" in diameter.

Lamp

Operates with Cree™ LED (19W max.). Specify 3000K, 3500K, or 4000K CCT for LED systems.

Ballast / LED Driver

Ballasts are integral and electronic - efficient with a high power factor greater than 90%, and quiet with an "A" sound rating.

The LED source is controlled by an advanced, integral, electronic driver that delivers consistent power.

Diffuser

Globe: optional, clear and prismatic, tempered glass globes are available, for greater diffusion and lamp protection.

Note: G3 uses 100IN, 32CF, and 15LED max.

Option

Wire Guard: A steel, chrome-plated, wire guard is available for lamp protection, which also serves as a vandal deterrent.

Dimming

The LED dimming option is the 0-10V, current-sinking type.

Note: Use a current-sinking dimming system for LED dimming. N/a with 17W LED systems.

Compatibility of this product is not guaranteed with all control systems.

Dimming is not available with 347V systems.

Surge Suppressor

All 120V, 277V, and universal voltage fixtures are equipped with a 6kV surge suppressor.

Emergency

For LED systems, integral and remote mount emergency back-ups are available, in either the standard temperature or cold temperature type.

The test switch and indicator light would be remote.

Mounting

Mount to a ceiling, directly to a standard 4" electrical junction box. Nautic is available with either a stem mount (1/2" NPT std., IP23, indoor/outdoor), or the drop cord/aircraft cable mount (10 ft. / 3.048 m max., IP20, indoor).

Aircraft Cable: combined with the drop cord mount, provides stronger support.

Ceiling Slope Adapter: keeps the pendant hanging vertically when installed on a sloped ceiling (20° slope max.).

Note: The aircraft cable or ceiling slope adapter may be required to comply with the local seismic/earthquake code.

Follow the installation instructions, and adhere to your local electrical code.

Finish

Available in brushed copper, 316L steel or aluminum, TMS polyester powder-coated, and RAL finishes; see the "Finishes and Diffusers" chart. Custom and RAL finishes are available by special order.

Compliances

Rated IP20 with the drop cord/aircraft cable for indoor locations; or IP23 for outdoor locations, with the rigid conduit suspension. QPS-C/US, or UL-C/US certified to UL1598 standards. Consult the factory for the Consultants Europe (CE) certification.



Nautic

TMSLIGHTING

ESTABLISHED 1923

NAU

1 2 3 4 5 6 7 8 9 10 11 12

Project: _____
 Type: _____
 Quantity: _____

Notes:

1 • Location

I: Indoor
 O: Outdoor

2 • Diameter

14: 14" (36cm) dia.
 16: 16" (41 cm) dia.
 18: 18" (46 cm) dia.
 20: 20" (51 cm) dia.
 22: 22" (56cm) dia.
 24: 24" (61cm) dia.

3 • Lamping

15LED: 15W LED (14"-18" dia.)
 19LED: 19W LED (20"-24" dia.)

4 • Mounting

CRD: 120" Drop cord (indoor)
 C__: 1", 6", 12", 18", 24", 36", 48" or

60" Stem mount

5 • LED CCT (color temp.)

30K: 3000K (CRI 80)
 35K: 3500K (CRI 80)
 40K: 4000K (CRI 80)

6 • Voltage

120: 120V
 277: 277V

7 • Finish

AN: Anodized (bright)
 BR: Brushed aluminum
 CO: Solid copper (brushed; stem mount would be black)
 GA: Galvanized (rough; stem mount would be flat silver)
 SS: Stainless steel 316L (brushed; stem mount would be silver metallic)
 F05: White
 F06: Clay brown
 F08: Midnight blue
 F09: Pewter
 F10: Fire red
 F13: Forest green
 F14: Sunshine yellow
 F15: Matte black
 F16: Gloss black
 F18: Flat aluminum
 F19: Mirror silver
 F21: Architectural bronze
 F22: Harvest gold

8 • Globes

G3: Prismatic, elongated globe (100IN, 32CF, and 15LED max.)
 G10: Large, elongated, prismatic globe

9 • Dimming

—: None
 DIML: LED dimming (0-10V; current-sinking)
 Note: n/a with 347V systems.

applications).

10 • Emergency

—: None
 EMR: Remote LED (dry location only; 20 ft. / 6.096 m max. distance from lamp to EM; min. operating temp. 5°C/40°F)
 EMCR: Remote LED cold pack (20 ft. / 6.096 m max. distance from lamp to EM; min. operating temp. -20°C/-4°F)

11 • Mounting Accessories

—: None
 BL: Ceiling slope adapter for stem mounting (20° slope max.)
 ACC: Aircraft cable for drop cords (10 ft. / 3.048 m length)

12 • Wire Guard

—: None
 W1V: W1V Wire guard
 W2V: W2V Wire guard

Note: Some options may not be compatible with others. To ensure compatibility between options, please visit tmslighting.com, on the "details" page of this luminaire, and use the configuration tool.

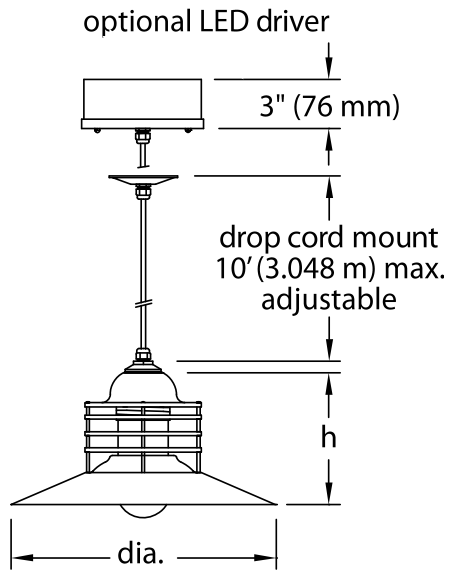


Nautic

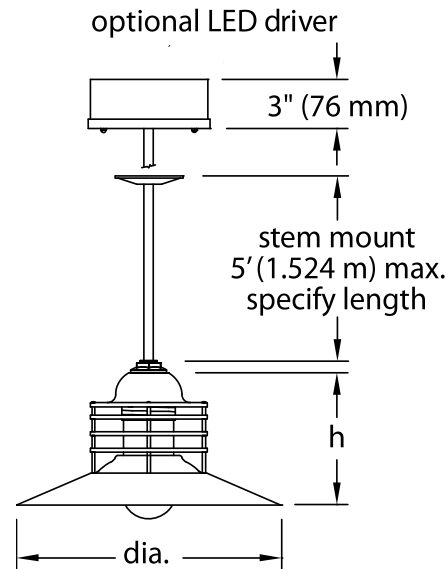
TMSLIGHTING

ESTABLISHED 1923

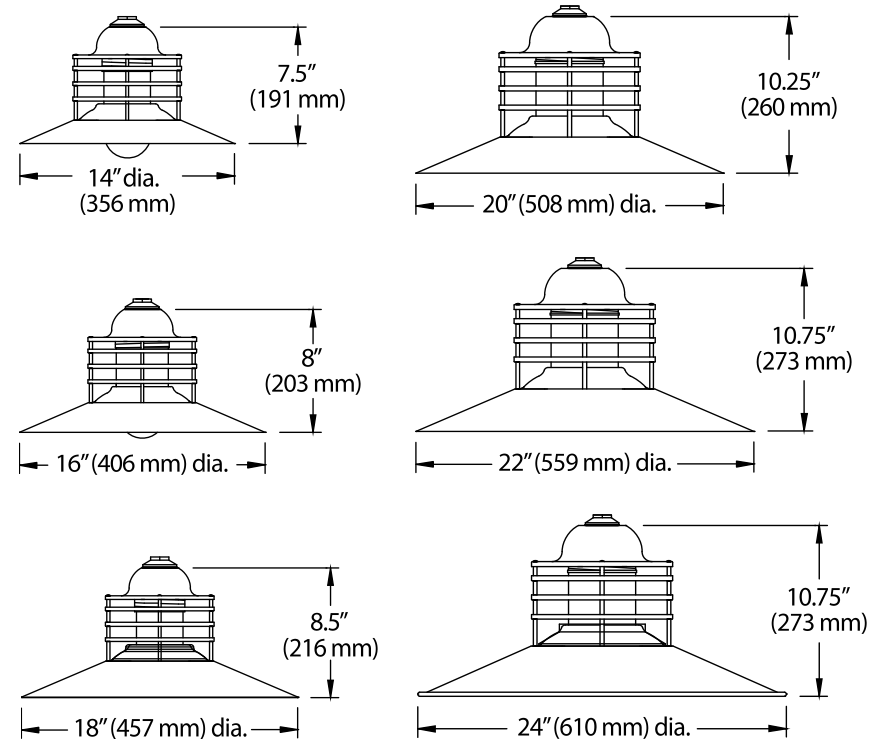
Drop Cord Mount



Stem Mount



Reflectors



Custom

TMS Lighting can customize this and many of our standard fixtures. The dimensions, lamp types, enclosure and colors could be modified to suit your lighting and architectural requirements. Contact your local representative for more details: <http://tmslighting.com/info/agents>

Specifications are subject to change without notice.

TMS Lighting Inc.

247A Summerlea Road,
Brampton, Ontario,
Canada. L6T 4E1

Web Site: tmslighting.com

North America: (905) 793-1174

Toll-free: (866) 793-1174

Fax: (905) 793-1175

UK & Europe: 44-1474-250-654