

Pole 16

TMSLIGHTING

ESTABLISHED 1923



Features

- Nautic style with weatherproof construction to withstand the elements
- Provides semi-cutoff distribution with excellent uniformity
- Practical and aesthetic options for application and design flexibility
- Cool operation for extended lamp and component life
- Quality components combined with the most current technology for high efficiency and reduced lighting costs

Applications

Pole 16 is ideal for illuminating outdoor areas requiring wide area, NEMA 5 distribution.

Construction

The pole is manufactured with 4.5" OD extruded aluminum, with a one-piece, spun aluminum base cover. The reflector is 16" diameter spun aluminum, with a clear or prismatic glass globe diffuser.

Lamp

Operates with integral Cree™ LED (15W max.), compact fluorescent (32W max.), metal halide (100W max.), and incandescent (150W max.) sources.

Note: Incandescent systems are compatible with a 120V supply voltage only.

Integral LED systems are available with 120-277V supply only. Only CF and MH systems are available with a 347V supply.

Pole 16 is designed to operate with an E-17 metal halide lamp. Incandescent and metal halide systems use a medium base lamp holder (E26). A lamp holder is installed with CF systems. LED modules are wired directly to the integral driver, and do not require a lamp holder.

Integrated LED sources are supplied, not lamps.

Ballast/LED Driver

Ballasts are integral and electronic. They are efficient with a high power factor greater than 90%, and quiet with an "A" sound rating.

The LED source is controlled by an advanced, integral, electronic driver that delivers consistent power.

Surge Suppressor

All 120V, 277V, and universal voltage LED luminaires are equipped with an integral, 6kV surge suppressor.

Diffuser

Choose from a clear glass globe or a prismatic glass globe, for wider area coverage and lamp/LED protection.

Note: LED systems are available with a prismatic globe only.

Emergency

For CF and LED systems, an integral emergency back-up is available in either the standard temperature or cold temperature type.

Note: The emergency back-up option is available to systems with 120-277V supply only. The test switch and indicator light would be remote.

Integral CF or LED: (min. operating temp. +5C/+40F)

Integral CF or LED with cold pack: (min. operating temp. -20C/-4F)

Pole 16

TMSLIGHTING

ESTABLISHED 1923



Features

- Nautic style with weatherproof construction to withstand the elements
- Provides semi-cutoff distribution with excellent uniformity
- Practical and aesthetic options for application and design flexibility
- Cool operation for extended lamp and component life
- Quality components combined with the most current technology for high efficiency and reduced lighting costs

Options

Photocell: Switches the luminaire ON at dusk, and OFF at dawn .

Wire Guard: The chrome-plated guard protects the light source from debris, and serves as a vandal deterrent.

Scroll: The decorative, swirl accent adds an extra aesthetic touch.

Ground Fault Indicator: A GFI receptacle could be installed to prevent a short-circuit from occurring in the line.

Note: The ground fault indicator receptacle is available with a 120V supply only. The lock would be provided by others.

Finish

The pole is available in several TMS polyester powder-coated finishes. The reflector may be anodized aluminum, brushed solid copper, brushed 316L stainless steel, or the same finish as the pole. See page 3, and the "Finishes and Diffusers" chart.

Note: Brushed copper is protected with a clear coat, yet patina will form over time with exposure to the elements.

Mounting

Direct burial and surface-mount configurations are available. See the installation instructions for mounting details, and adhere to your local electrical code.

Note: A base cover is provided for surface mounting only.

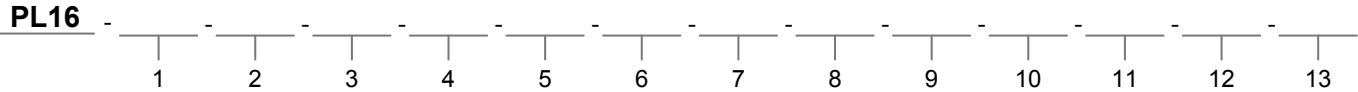
Compliances

QPS-C/US, or UL-C/US certified to UL1598 standards. Rated IP55 for use in dry to wet, indoor and outdoor locations. The Consultants Europe (CE) listing is available upon request.



Pole 16

TMSLIGHTING
ESTABLISHED 1923



Project: _____
 Type: _____
 Quantity: _____

Notes:

Note: Some options may not be compatible with others. To ensure compatibility between options, please visit tmslighting.com, on the "details" page of this luminaire, and use the configuration tool.

1 • Mounting
 SM: Surface mount
 BM: Burial mount - 48" (121 cm) below grade

2 • Height
 10: 120" OAH (305 cm), 93"h (236 cm) clearance
 12: 144" OAH (366 cm), 117"h (297 cm) clearance
 14: 168" OAH (426 cm), 141"h (258 cm) clearance

3 • Lamping
 150IN: 150W INC (A-21)
 32CF: 32W CF (PL-T)
 100MH: 100W MH (E-17)
 15LED: 15W LED (CRI 80)

4 • LED CCT (color temp.)
 ---: None
 30K: 3000K
 35K: 3500K
 40K: 4000K

5 • Voltage
 120: 120V
 277: 277V
 347: 347V (n/a with LED)

6 • Pole Finish
 F05: White
 F07: Zeus brown
 F08: Midnight blue
 F09: Pewter
 F10: Fire red
 F13: Forest green
 F15: Matte black
 F16: Gloss black
 F18: Flat aluminum
 F19: Mirror silver
 F21: Architectural bronze
 F31: Silver metallic
 F32: Bronze metallic
 F33: Pyrite bronze
 RAL: RAL custom color (specify)

7 • Reflector Finish
 OO: Same as pole finish
 AN: Anodized
 CO: Solid copper (brushed with a clear coat)
 SS: 316L stainless steel (brushed)

8 • Globes
 ---: None
 G1: Clear, elongated globe
 G3: Prismatic, elongated globe

9 • Emergency
 ---: None
 EM: Integral CF or LED (min. operating temp. +5°C/+40°F)
 EMC: Integral CF or LED with cold pack (min. operating temp. -20°/-4°F)

10 • Receptacle
 ---: None
 GF1: 120V GFI receptacle with the in-use cover (lock by others)

11 • Photocell
 ---: None
 PC: Photocell

12 • Wire Guard
 ---: None
 W1V: W1V Wire guard (chrome-plated)

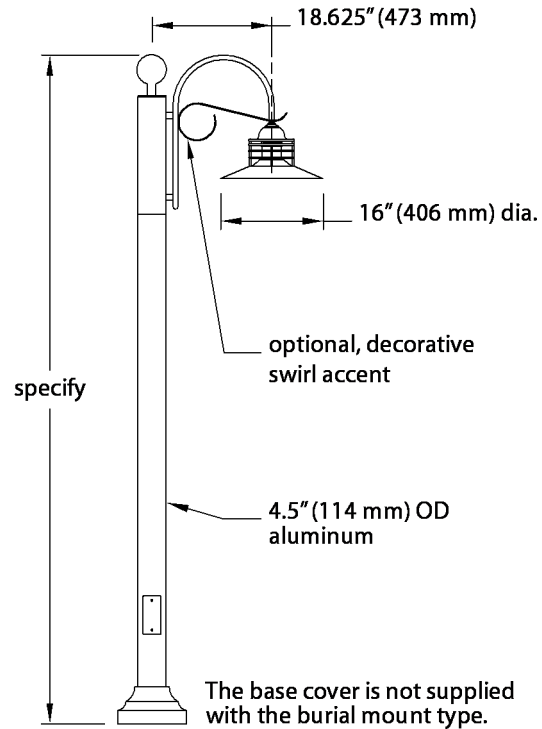
13 • Accessories
 ---: None
 SW1: Decorative swirl accent



Pole 16

TMSLIGHTING
ESTABLISHED 1923

Dimensions



Custom

TMS Lighting can customize this and many of our standard fixtures. The dimensions, lamp types, enclosure and colors could be modified to suit your lighting and architectural requirements. Contact your local representative for more details: <http://www.tmslighting.com/info/agents>

Specifications are subject to change without notice.

TMS Lighting Inc.
247A Summerlea Road,
Brampton, Ontario,
Canada. L6T 4E1
Web Site: tmslighting.com

North America: (905) 793-1174
Toll-free: (866) 793-1174
Fax: (905) 793-1175
UK & Europe: 44-1474-250-654