

ID+ 4.5" x 4.5"

LED ADJUSTABLE



white



black



titanium silver

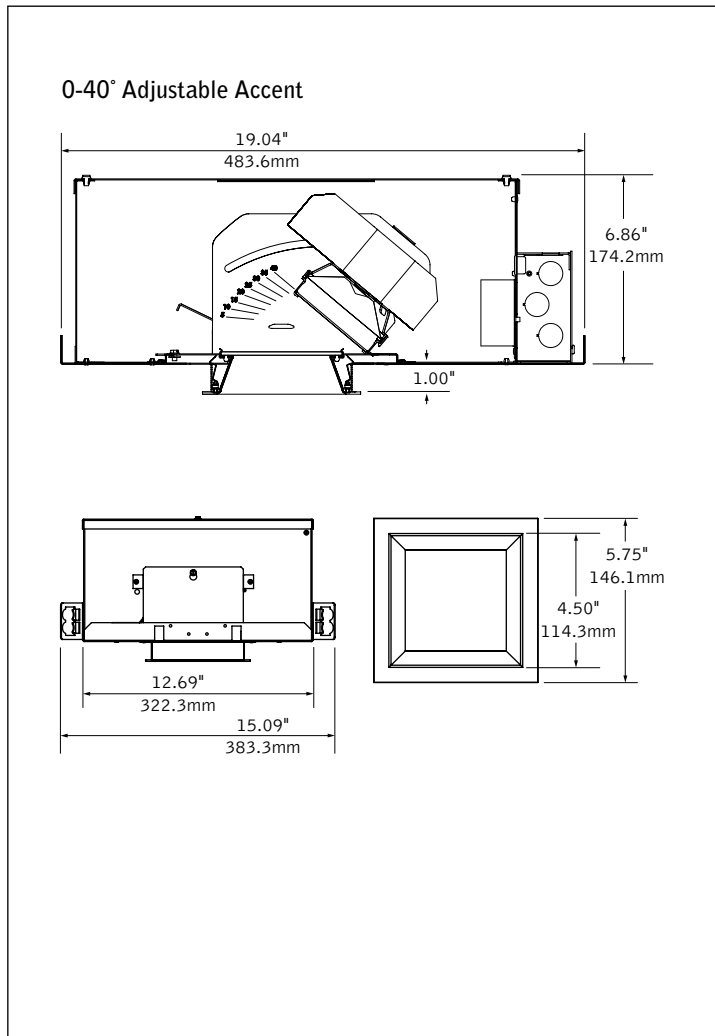


clear diffuse



warm diffuse

DIMENSIONAL DATA



FEATURES

10° beam is ideal for art and object accenting, additional beamreads up to 40° complement any application.

Allows for aiming with locking 40° vertical tilt and 360° rotation of light module.

Center Beam Optic allows maximum light output at all tilt angles.

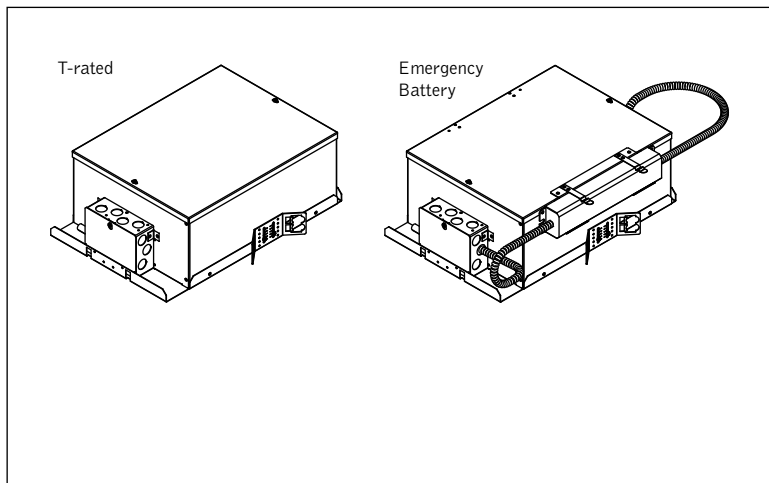
Selection of dimming drivers available.

PERFORMANCE

Adjustable Accent at 0°, Spot, 3500K		
Watts	Delivered Lumens	CBCP
16	1000	18,000
25	1500	25,000
35	2000	34,000
40	2500	33,000

Photometric performance is measured in accordance with IESNA LM-79. Visit focalpointlights.com for complete photometric data.

HOUSING DETAILS



HOUSING SPECIFICATIONS

LED System

Proprietary LED module with single light emitting source. May be specified in 2700K, 3000K, 3500K or 4000K in CRI>80 or CRI>90. Color accuracy within 2 SDCM. Aluminum heat sink provides appropriate thermal management.

Construction

Thermally protected housing for new construction applications. Insulation to be kept 3" away from housing. Butterfly brackets allow mounting to 1/2 emt. Order bar hangers as an accessory. Extruded aluminum heat sink designed for maximum thermal dissipation. Die-formed housing and integral junction box with (9) 1/2" pry outs. UL & cUL listed for (8) #12 AWG (4 in, 4 out) 90°C conductors and feed through-branch wiring. Accommodates ceiling thicknesses up to 1.85" maximum. Fixture will not exceed 15 lb.

Adjustment

Manual locking 40° vertical tilt and 360° rotation of light module.

Electrical

Choice of constant current dimming drivers. Power factor > .9 typical.

Emergency Battery

Bodine BSL17-C2. Emergency output—7W for 90 minutes. Maximum mounting height: 20ft. Above ceiling access only.

Labels

UL and cUL listed. Suitable for Dry or Damp Locations, indoor use only. Lensed options Wet Listed.

Lumen Maintenance

Reported: L80 at >36,000 hours Calculated: L80 at 102,000 hours
 Derived from EPA TM-21 calculator. Based on typical conditions, consult factory for additional data.

Reliability

At Focal Point, our products are designed to stand the test of time. Each luminaire is engineered using superior components, manufactured with the utmost care and rigorously tested. Contact us for reliability data.

Warranty

LED System rated for operation in ambient environments up to 35°C. 5-year limited warranty.

TRIM SPECIFICATIONS

Aesthetics

Die-formed aluminum reflector ensures glare free optics. Reflector attaches to die-cast, seamless flange and may be removed for field painting. Compression springs pull trim tight to the ceiling with no visible fasteners within the trim.

Optics

Beamspreads achieved with optical filters that may be easily changed in field.

PERFORMANCE CHART

See Page 3

HOUSING ORDERING

Housing Series	FLCS44
ID+ 4.5" Square Housing	FLCS44
Trim Type	_____
Square Flush	SF
Square Overlap	SO
Lumen Output	_____
1000 Lumens	1000L
1500 Lumens	1500L
2000 Lumens	2000L
2500 Lumens	2500L
Color Temperature	_____
2700K, 80+ CRI or 90+ CRI	27K or 927K
3000K, 80+ CRI or 90+ CRI	30K or 930K
3500K, 80+ CRI or 90+ CRI	35K or 935K
4000K, 80+ CRI or 90+ CRI*	40K or 940K*
<small>(*Not available with 2000 or 2500 lumens)</small>	
Distribution	_____
Spot	SP
Narrow Flood	NFL
Flood	FL
Linear Spread Lens	LS
Voltage	_____
120V	120
277V	277
Control System & Dimming Level	_____
0-10V - 1% Dimming	L11
<small>(Not available with 2500L)</small>	
0-10V - 10% Dimming	LD1
Lutron Hi-Lume EcoSystem (LDE1) -	
1% Dimming	LH1
<small>(Not available with 2500L)</small>	
DALI - 1% Dimming	D11
DMX - 3-Channel, 0% Dimming	MZ3
Housing Type	T
Thermally Protected, Non-IC	T
Factory Options	_____
Bar Hangers	BH
Chicago Plenum / National Plenum	CP
Emergency Battery with	
Remote Test Switch	EMR
<small>(Above ceiling access only, Not available with 2500L, SF trim or Chicago Plenum / National Plenum)</small>	
TRIM ORDERING	
Aperture	LCS44
4.5" Square Aperture	LCS44
Trim Type	SQ
Square	SQ
Optic	_____
Adjustable Accent	AA
<small>(Solite lens standard)</small>	
Downlight	DN
Downlight - Regress Clear Lens	CL
Downlight - Regress Solite Lens	SL
Color	_____
Clear Diffuse	CD
Warm Diffuse	WD
Flange Finish	_____
White	WH
Black	BK
Titanium Silver	TS
ACCESSORIES	
<small>(One kit included per order as indicated in Distribution above. Order additional kits to change distribution in the field as needed.)</small>	
Spot Kit	FLCS44-SPK
Narrow Flood Kit	FLCS44-NFLK
Flood Kit	FLCS44-FLK
Linear Spread Kit	FLCS44-LSK

PERFORMANCE CHART - VARIABLE BEAM DOWNLIGHT AT 0°

Lumen Output	Distribution	Delivered Lumens	System Watts	Beamspread	Center Beam Candlepower (CBCP)
1000 Lumens	Spot	1000	16	10°	18,000
	Narrow Flood	850	16	25°	4,500
	Flood	800	16	40°	1,500
1500 Lumens	Spot	1500	25	10°	25,000
	Narrow Flood	1200	25	25°	6,500
	Flood	1000	25	40°	2,500
2000 Lumens	Spot	2000	36	10°	34,000
	Narrow Flood	1500	36	25°	9,000
	Flood	1500	36	40°	3,200
2500 Lumens	Spot	2500	42	10°	33,000
	Narrow Flood	2000	42	25°	8,500
	Flood	1900	42	40°	3,000

PERFORMANCE CHART - ADJUSTABLE ACCENT AT 30°

Lumen Output	Distribution	Delivered Lumens	System Watts	Beamspread	Center Beam Candlepower (CBCP)
1000 Lumens	Spot	750	16	10°	9,000
	Narrow Flood	600	16	25°	3,000
	Flood	500	16	40°	1,000
1500 Lumens	Spot	950	25	10°	10,400
	Narrow Flood	800	25	25°	3,500
	Flood	700	25	40°	1000
2000 Lumens	Spot	1,400	36	10°	17,300
	Narrow Flood	1,100	36	25°	5,700
	Flood	1,100	36	40°	1,600
2500 Lumens	Spot	1,800	42	10°	18,000
	Narrow Flood	1,400	42	25°	6,400
	Flood	1,200	42	40°	2,500