

60 Linear Suspended Direct / Indirect



Ordering Information

Model	Fixation	Pattern	Length	Direct*	Indirect*	Finish	Options
WG-60LD-S direct	48	S	A	Specify options using chart below* See ex 1: L1 - D010 - SD	Specify options using chart below* See ex 2: M3 - S - OD	W (std) B G F	DC
WG-60LI-S indirect	96	P ¹	A x B				
WG-60LDI-S direct/indirect		PZ ¹	A x B x C A x B x A x B				

Luminaire

- Continuous, evenly illuminated snap-in lens without visible LED pattern.
- Standard Opal Diffuser for even illumination, Satin Diffuser for high efficiency and minimal LED appearance.
- Field replaceable LED boards.
- 90+ CRI, 3 steps MacAdam.
- Lengths and angles factory cut to exact field dimensions.
- Standard and custom corners.
- Single circuit standard, dual circuit optional. (see options).
- Powder coat painted white - RAL 9010.

Fixation

- 48 = 48" suspension cable (standard)
- 96 = 96" suspension cable, field-cuttable

Pattern

- S = Straight run
- P = Standard patterns 2, 3 or 4 sided with 90° corners on the same plane¹
- PZ = Non-standard patterns and/or corners other than 90° on multiple planes, consult factory¹

Length

- A, B, C = specify inches to the nearest 0.25" (i.e. 72.25"). For patterns specify each length (i.e. 2 sided: A x B = 72.25" x 48"; 3 sided: A x B x C; 4 sided: A x B x A x B).

Power²

- L = 3.2W/ft low power (24V)
- M = 6.4W/ft mid power (24V)
- H = 10.5W/ft high power (24V)

CRI/CCT³

- 90+ CRI (low/mid/high power)
- 927 = 2700K, (173/321/478 lm/ft)
- 930 = 3000K, (179/331/493 lm/ft)
- 935 = 3500K, (183/337/503 lm/ft)
- 940 = 4000K, (184/341/508 lm/ft)

Driver (integral)⁴

- X = No driver, ordered separately
- S = Standard driver 120-277V
- D010 = Osram, 10%, 0-10V dimming, 120-277V
- L3DAE = Lutron Hi-lume 1% EcoSystem, 120-277V
- L3DOE = Lutron Hi-lume Premier 0.1 EcoSystem, 120-277V
- DFPN = Lutron Forward Phase 1% 120VAC

Lens

- OD = Satin opal diffuser (standard)
- SD = Satin clear diffuser (high efficiency)

Finish

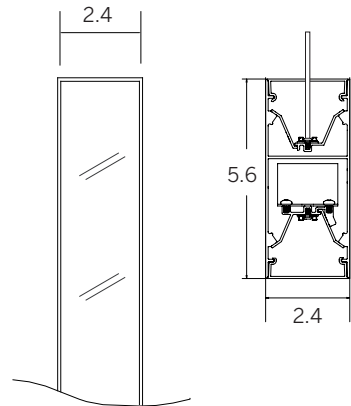
- W = White, 20% gloss, RAL9010 (standard)
- B = Black, 20% gloss
- G = Gray, 20% gloss
- F = Custom finished trim, specify RAL

Options

- DC = Dual circuit

Emergency

- Emergency LED driver available, remote only.



*Direct/Indirect Specify one from each

- ex 1: - L1 - D010 - SD
- ex 2: - M3 - S - SD

Power/CRI/CCT	Driver ⁴			Lens	
	L	M	H		
				X	OD
927	L1	M1	H1	S	SD
930	L2	M2	H2	D010	
935	L3	M3	H3	L3DAE	
940	L4	M4	H4	L3DOE	
				DFPN	

¹ See pattern specs sheet.

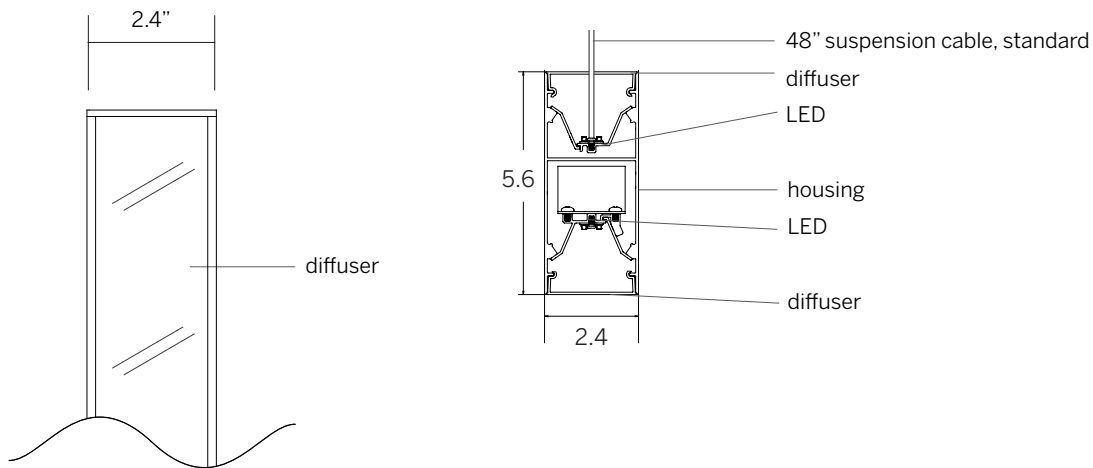
² Wattage shown does not include power supplies/drivers.

³ Delivered lumens with satin opal diffuser shown in one direction.

⁴ Remote power supply required. See power supply page for details.

60 Linear Suspended Direct / Indirect LED

Dimensions



Installation

