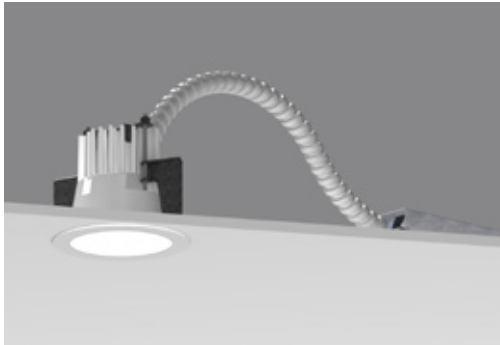


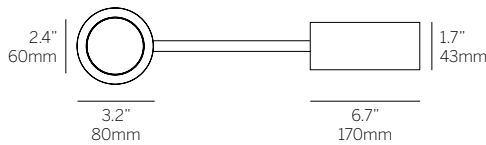
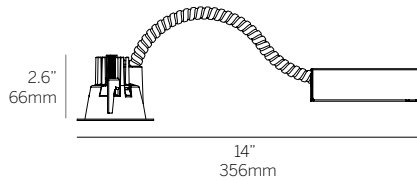
2.4" General Downlight

Flush Round Opal Diffuser

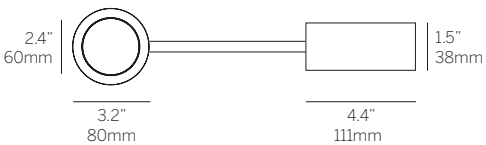
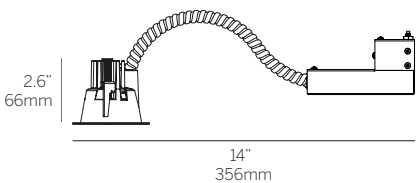


Ordering Information

Model	Fixation	Power ¹	CRI/CCT ^{2,3}	Driver ⁴	Lens	Finish	Options
WG-60RGDL	RBT	L M H	927 930 935 940	X S S010 SPH D010 PEQ1 PEQ0 DFPN	FROD	W (std) G F	CP ⁵ IC ⁵ NC ⁵ LP ⁵ SH WL



Standard housing



Shallow housing (SH)

Luminaire

- 2.4" (60mm) small aperture, low brightness downlight for general illumination.
- Suitable for interior or exterior use under canopy or in wet locations (WL) such as showers.
- Installation from below the ceiling for remodel and new construction.
- Integral or remote driver. Integral driver requires 4.5" (114mm) minimum ceiling clearance (void).
- White finish standard.

Fixation

- RBT = Recessed bezel trim

Power¹

- L = Low power, 5.9W @ 350mA
- M = Mid power, 8.6W @ 500mA
- H = High power, 12.4W @ 700mA

CRI/CCT^{2,3}

90+ CRI (Low/Medium/High Power)

- 927 = 2700K, (416/566/747 lm)
- 930 = 3000K, (448/609/804 lm)
- 935 = 3500K, (448/609/804 lm)
- 940 = 4000K, (479/652/861 lm)

Driver⁴

- X = Driver ordered separately

Integral

- S = Standard non-dim driver, 120-277V
- S010 = 0-10V >10% dimming, 120-277V
- SPH = Standard Phase Dimming, 120VAC (available in low and medium power only)

Remote

- D010 = EldoLED, 1%, 0-10V dimming, 120-277V
- PEQ1 = Lutron Hi-lume 1% EcoSystem, 120-277V
- PEQ0 = Lutron Hi-lume Premier 0.1% EcoSystem, 120-277V
- DFPN = Lutron Forward Phase 1%, 120VAC only

Lens

- FROD = Flush round opal diffuser

Finish

- W = White (standard)
- G = Gray
- F = Custom finish (provide RAL code)

Options

- CP = Chicago Plenum Housing⁵
- IC = Insulated Ceiling Housing⁵
- NC = New Construction Housing⁵
- LP = Landing Pan⁵
- SH = Reduces required plenum space to 3.5" (89mm) (available in low and medium power S, S010 and SPH drivers only)
- WL = Wet Location
- To specify multiple options, select the appropriate grouped codes from drop-down e.g. SH-WL

Emergency

- Emergency LED driver available, order separately (remote)

¹ Wattage shown does not include power supplies/drivers. System wattage adds 10-20%.

² Other lumen packages available, consult factory.

³ Delivered lumens shown. See page 4 for additional details.

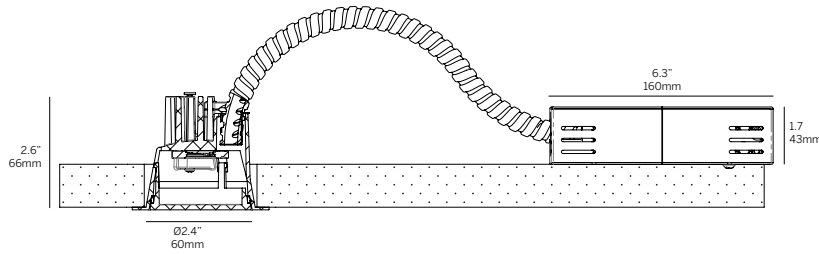
⁴ See power supply page for details.

⁵ See housings page for details.

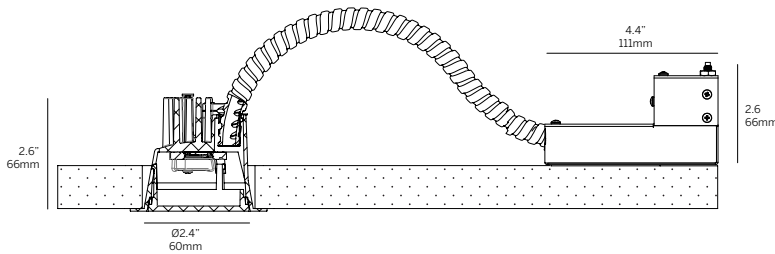


2.4" General Downlight

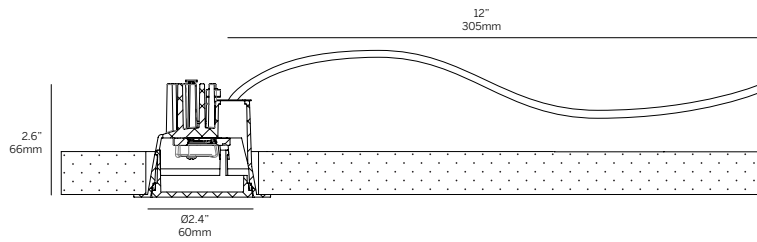
Flush Round Opal Diffuser - Dimensions



Integral Driver (standard)^{1,3}



Integral Driver (shallow - SH)^{2,3}

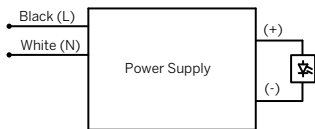


Remote Driver^{2,3}

- 1 Requires 4.5" minimum ceiling clearance (void)
- 2 Requires 3.5" minimum ceiling clearance (void)
- 3 1" max ceiling thickness, 1/16" min ceiling thickness, Does not allow through-wiring

Drivers

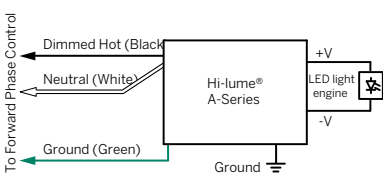
S (Standard non-dim)
SPH (Standard Phase Dimming wired for forward phase)



S010 (Standard 0-10V)
D010 (EldoLED 0-10V)

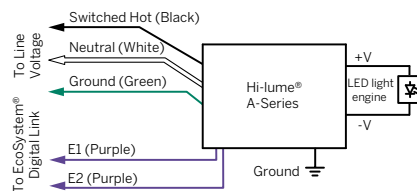


DFPN (Lutron forward phase with neutral)
SPH (Standard Phase Dimming wired for reverse phase)



Note: Colors shown correspond to terminal blocks on driver.

PEQ1 1%/PEQ0 0.1% Dimming
(Lutron EcoSystem 1% or 0.1% digital)

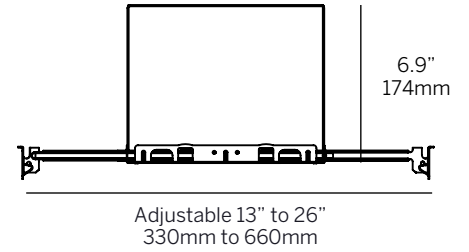
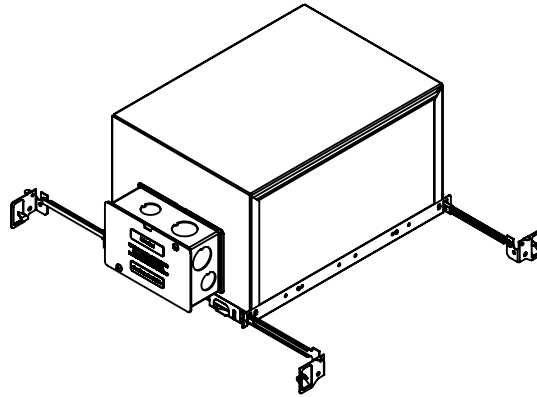
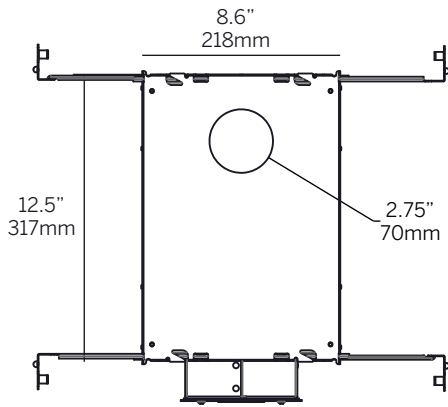


Note: Colors shown correspond to terminal blocks on driver.

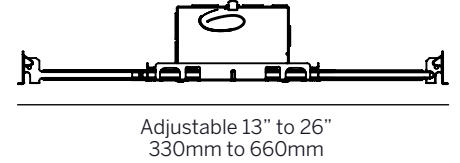
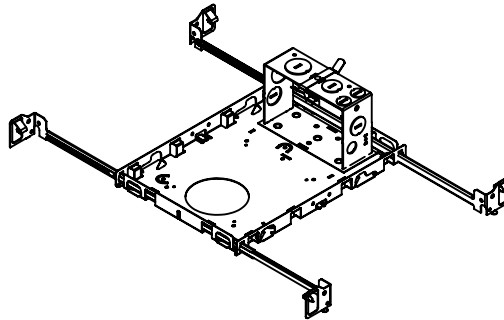
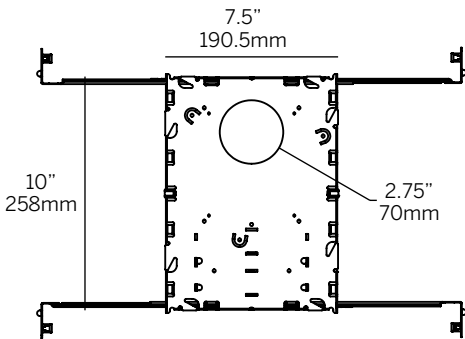
2.4" General Downlight

Flush Round Opal Diffuser - Housings

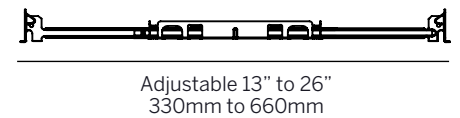
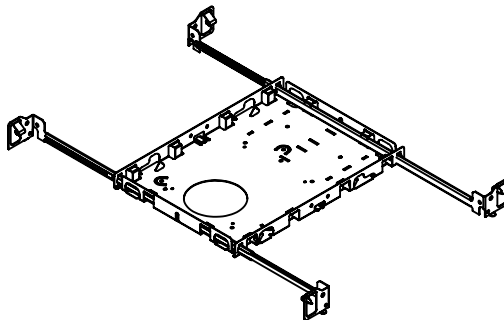
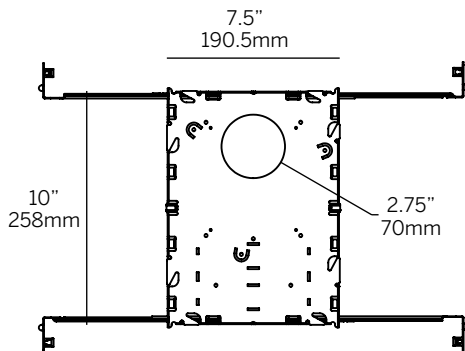
Chicago Plenum Housing (CP) / Insulated Ceiling Housing(IC)



New Construction Housing (NC) (requires accessible ceiling)



Landing Pan (LP)



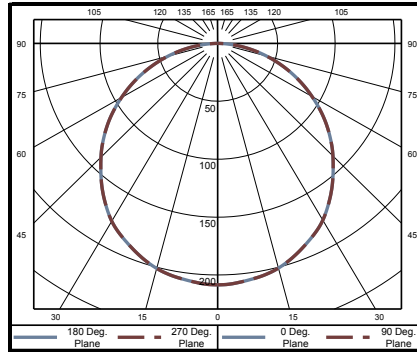
2.4" General Downlight

Flush Round Opal Diffuser



WG-60RGDL-FROD-W

		Delivered Lumens			
Power	W	2700K	3000K	3500K	4000K
L	5.9	416	448	448	479
M	8.6	566	609	609	652
H	12.4	747	804	804	861



Polar Plot

Cone of Light Tabulation*		
Mounting Height (Ft)	Footcandles at Nadir	Diameter (Ft)
4	13	5.1
6	5.8	7.6
8	3.3	10.1
10	2.1	12.6
12	1.5	15.2
14	1.1	17.7
16	0.8	20.2

*Tabulation uses Mid Power / 935 LED