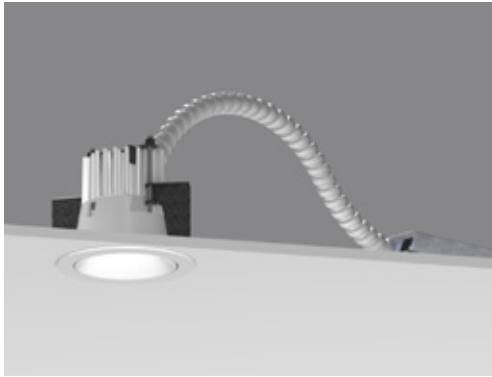


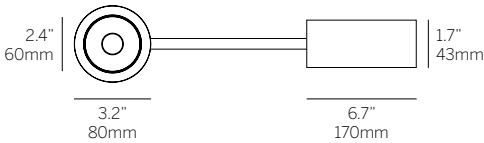
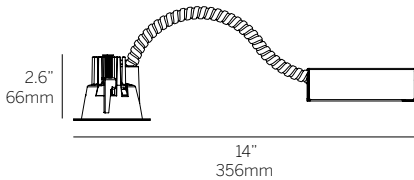
2.4" General Downlight

Round Regressed Cone

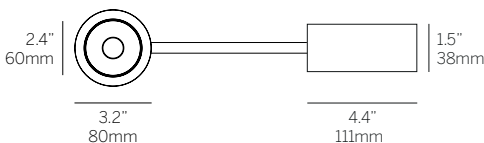
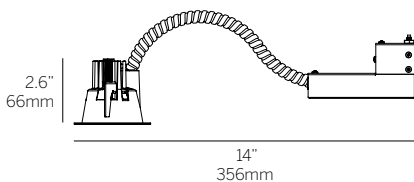


Ordering Information

| Model | Fixation | Power ¹ | CRI/CCT ^{2,3} | Driver ⁴ | Lens | Trim Finish | Cone Finish | Options |
|-----------|----------|--------------------|--------------------------|---|------|-------------------|-------------------|--|
| WG-60RGDL | RBT | L M H | 927 930 935 940 | X S S010 SPH D010 PEQ1 PEQ0 DFPN | RRC | W (std) G F | W (std) G F | CP ⁵ IC ⁵ NC ⁵ LP ⁵ SH WL |



Standard housing



Shallow housing (SH)

Luminaire

- 2.4" (60mm) small aperture, low brightness downlight for general illumination.
- Suitable for interior or exterior use under canopy or in wet locations (WL) such as showers.
- Installation from below the ceiling for remodel and new construction.
- Integral or remote driver. Integral driver requires 4.5" (114mm) minimum ceiling clearance (void).
- Conical reflector with regressed soft lens.
- White finish standard.

Fixation

- RBT = Recessed bezel trim

Power¹

- L = Low power, 5.9W @ 350mA
- M = Mid power, 8.6W @ 500mA
- H = High power, 12.4W @ 700mA

CRI/CCT^{2,3}

- 90+ CRI (Low/Medium/High Power)
- 927 = 2700K, (399/543/717 lm)
- 930 = 3000K, (429/584/771 lm)
- 935 = 3500K, (429/584/771 lm)
- 940 = 4000K, (459/625/826 lm)

Driver⁴

- X = Driver ordered separately

Integral

- S = Standard non-dim driver, 120-277V
- S010 = 0-10V >10% dimming, 120-277V
- SPH = Standard Phase Dimming, 120VAC (available in low and medium power only)

Remote

- D010 = EldoLED, 1%, 0-10V dimming, 120-277V
- PEQ1 = Lutron Hi-lume 1% EcoSystem, 120-277V
- PEQ0 = Lutron Hi-lume Premier 0.1% EcoSystem, 120-277V
- DFPN = Lutron Forward Phase 1%, 120VAC only

Lens

- RRC = Round regressed cone

Trim Finish

- W = White (standard)
- G = Gray
- F = Custom finish (provide RAL code)

Cone Finish

- W = White (standard)
- G = Gray
- F = Custom finish (provide RAL code)

Options

- CP = Chicago Plenum Housing⁵
- IC = Insulated Ceiling Housing⁵
- NC = New Construction Housing⁵
- LP = Landing Pan⁵
- SH = Reduces required plenum space to 3.5" (89mm) (available in low and medium power S, S010 and SPH drivers only)
- WL = Wet Location
- To specify multiple options, select the appropriate grouped codes from drop-down e.g. SH-WL

Emergency

- Emergency LED driver available, order separately (remote)

¹ Wattage shown does not include power supplies/drivers. System wattage adds 10-20%.

² Other lumen packages available, consult factory.

³ Delivered lumens shown. See page 4 for additional details.

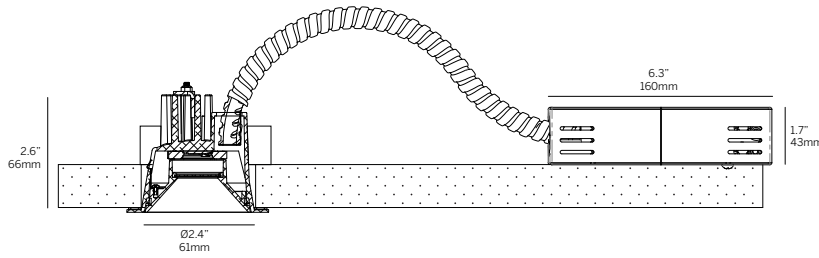
⁴ See power supply page for details.

⁵ See housings page for details.

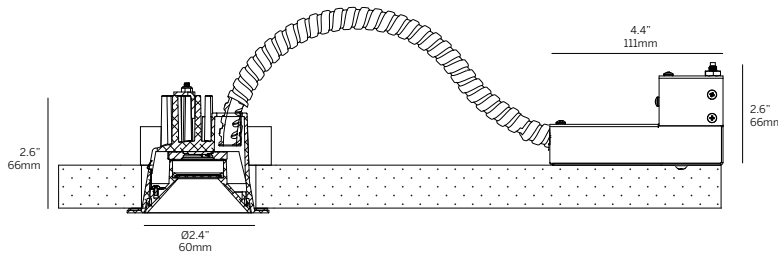


2.4" General Downlight

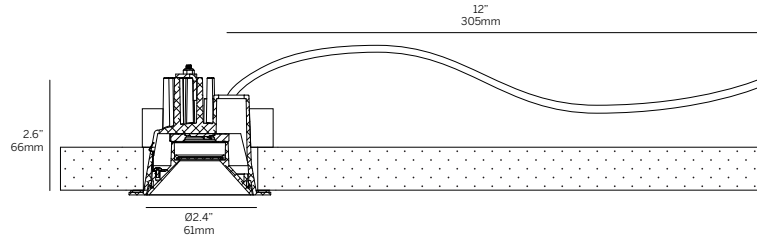
Round Regressed Cone - Dimensions



Integral Driver (standard)^{1,3}



Integral Driver (shallow - SH)^{2,3}

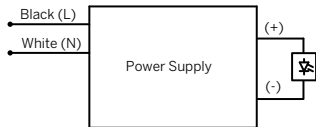


Remote Driver^{2,3}

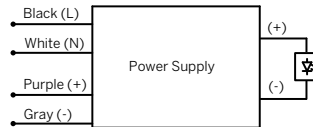
- 1 Requires 4.5" minimum ceiling clearance (void)
- 2 Requires 3.5" minimum ceiling clearance (void)
- 3 1" max ceiling thickness, 1/16" min ceiling thickness, Does not allow through-wiring

Drivers

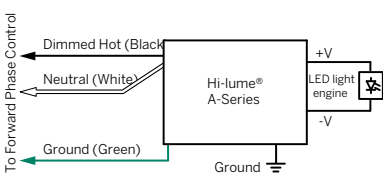
S (Standard non-dim)
SPH (Standard Phase Dimming wired for forward phase)



S010 (Standard 0-10V)
D010 (EldoLED 0-10V)

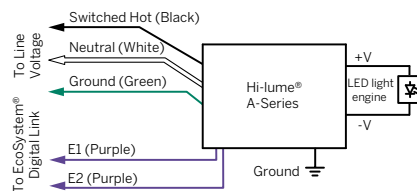


DFPN (Lutron forward phase with neutral)
SPH (Standard Phase Dimming wired for reverse phase)



Note: Colors shown correspond to terminal blocks on driver.

PEQ1 1%/PEQ0 0.1% Dimming
(Lutron EcoSystem 1% or 0.1% digital)

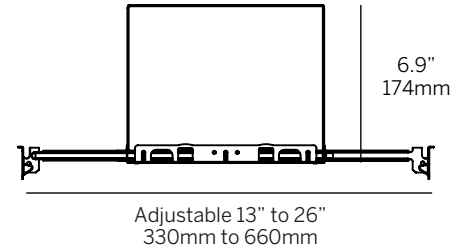
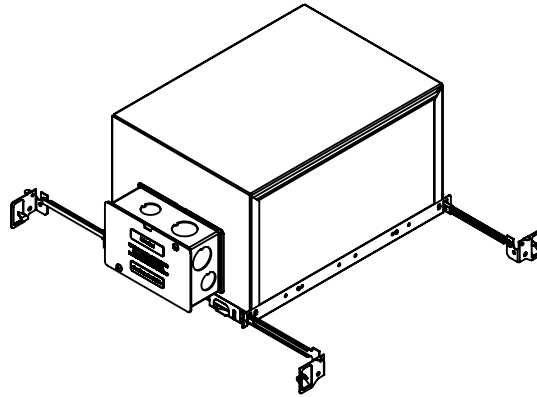
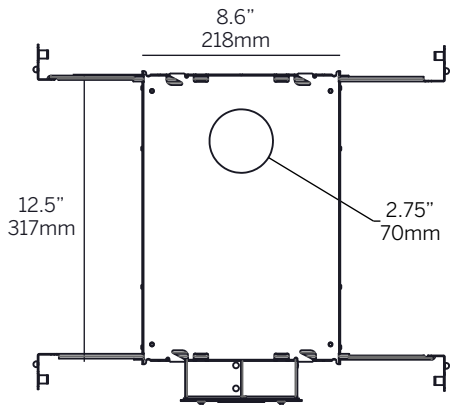


Note: Colors shown correspond to terminal blocks on driver.

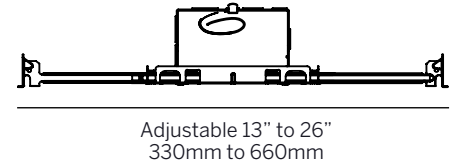
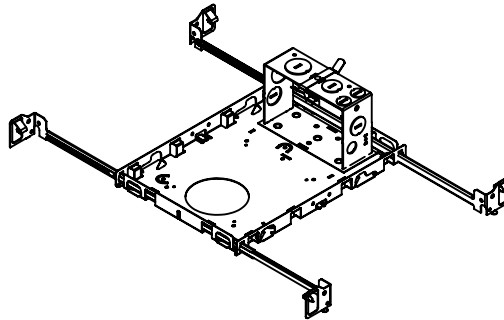
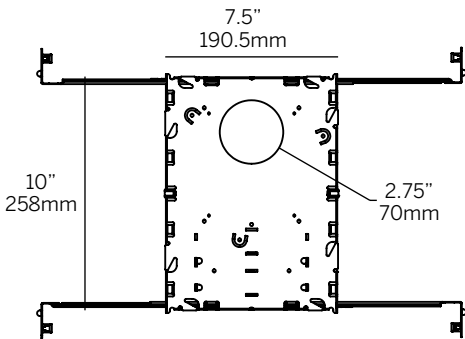
2.4" General Downlight

Round Regressed Cone - Housings

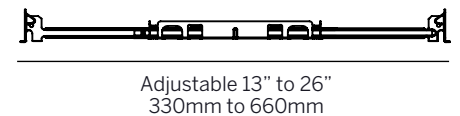
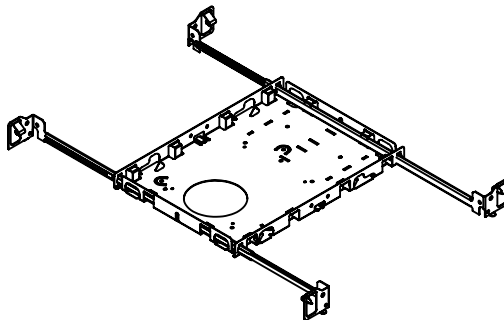
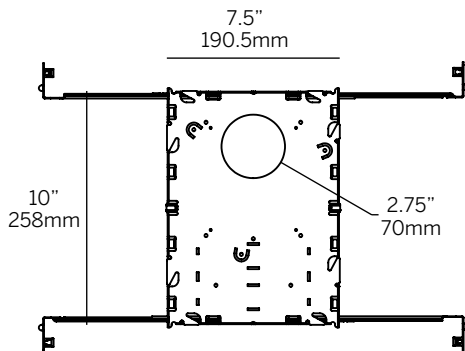
Chicago Plenum Housing (CP) / Insulated Ceiling Housing(IC)



New Construction Housing (NC) (requires accessible ceiling)



Landing Pan (LP)



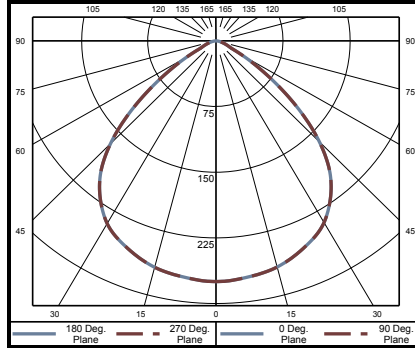
2.4" General Downlight

Round Regressed Cone



WG-60RGDL-RRC-W-W

| | | Delivered Lumens | | | |
|-------|------|------------------|-------|-------|-------|
| Power | W | 2700K | 3000K | 3500K | 4000K |
| L | 5.9 | 399 | 429 | 429 | 459 |
| M | 8.6 | 543 | 584 | 584 | 625 |
| H | 12.4 | 717 | 771 | 771 | 826 |



Polar Plot

| Cone of Light Tabulation* | | |
|---------------------------|----------------------|---------------|
| Mounting Height (Ft) | Footcandles at Nadir | Diameter (Ft) |
| 4 | 17.2 | 5.2 |
| 6 | 7.6 | 7.8 |
| 8 | 4.3 | 10.3 |
| 10 | 2.8 | 12.9 |
| 12 | 1.9 | 15.5 |
| 14 | 1.4 | 18.1 |
| 16 | 1.1 | 20.7 |

*Tabulation uses Mid Power / 935 LED