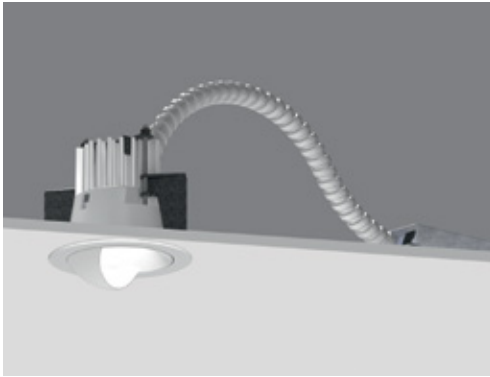


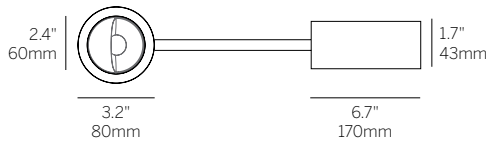
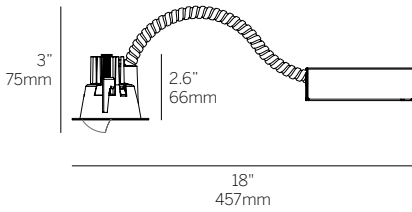
# 2.4" General Downlight

## Round Wall Wash

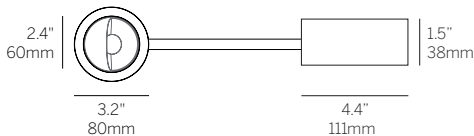
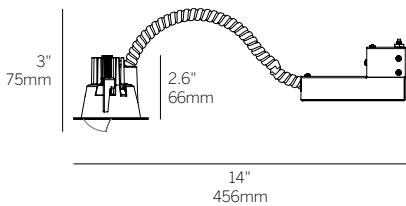


### Ordering Information

Model	Fixation	Power <sup>1</sup>	CRI/CCT <sup>2,3</sup>	Driver <sup>4</sup>	Lens	Trim Finish	Cone Finish	Options
WG-60RGDL	RBT	L M H	927 930 935 940	X S S010 SPH D010 PEQ1 PEQ0 DFPN	RWW	W (std) G F	W (std) G F	CP <sup>5</sup> IC <sup>5</sup> NC <sup>5</sup> LP <sup>5</sup> SH WL



Standard housing



Shallow housing (SH)

### Luminaire

- 2.4" (60mm) small aperture, low brightness downlight for general illumination.
- Suitable for interior use only.
- Installation from below the ceiling for remodel and new construction.
- Integral or remote driver. Integral driver requires 4.5" (114mm) minimum ceiling clearance (void).
- White finish standard.

### Fixation

- RBT = Recessed bezel trim

### Power<sup>1</sup>

- L = Low Power, 5.9W @ 350mA
- M = Mid Power, 8.6W @ 500mA
- H = High Power, 12.4W @ 700mA

### CRI/CCT<sup>2,3</sup>

90+ CRI (Low/Medium/High Power)

- 927 = 2700K, (364/495/654 lm)
- 930 = 3000K, (392/533/704 lm)
- 935 = 3500K, (392/533/704 lm)
- 940 = 4000K, (419/571/753 lm)

### Driver<sup>4</sup>

- X = Driver ordered separately

### Integral

- S = Standard non-dim driver, 120-277V
- S010 = 0-10V >10% dimming, 120-277V
- SPH = Standard Phase Dimming, 120VAC (available in low and medium power only)

### Remote

- D010 = EldoLED, 1%, 0-10V dimming, 120-277V
- PEQ1 = Lutron Hi-lume 1% EcoSystem, 120-277V
- PEQ0 = Lutron Hi-lume Premier 0.1% EcoSystem, 120-277V
- DFPN = Lutron Forward Phase 1%, 120VAC only

### Lens

- RWW = Round wall wash

### Trim Finish

- W = White (standard)
- G = Gray
- F = Custom finish (provide RAL code)

### Cone Finish

- W = White (standard)
- G = Gray
- F = Custom finish (provide RAL code)

### Options

- CP = Chicago Plenum Housing<sup>5</sup>
- IC = Insulated Ceiling Housing<sup>5</sup>
- NC = New Construction Housing<sup>5</sup>
- LP = Landing Pan<sup>5</sup>
- SH = Reduces required plenum space to 3.5" (89mm) (available in low and medium power S, S010 and SPH drivers only)
- WL = Wet Location
- To specify multiple options, select the appropriate grouped codes from drop-down e.g. SH-WL

### Emergency

- Emergency LED driver available, order separately (remote)

<sup>1</sup> Wattage shown does not include power supplies/drivers. System wattage adds 10-20%.

<sup>2</sup> Other lumen packages available, consult factory.

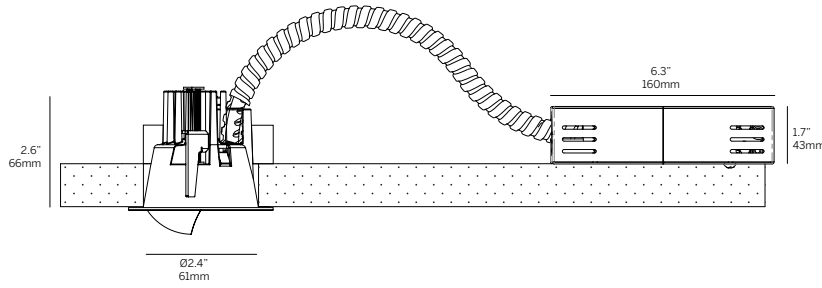
<sup>3</sup> Delivered lumens shown. See page 4 for additional details.

<sup>4</sup> See power supply page for details.

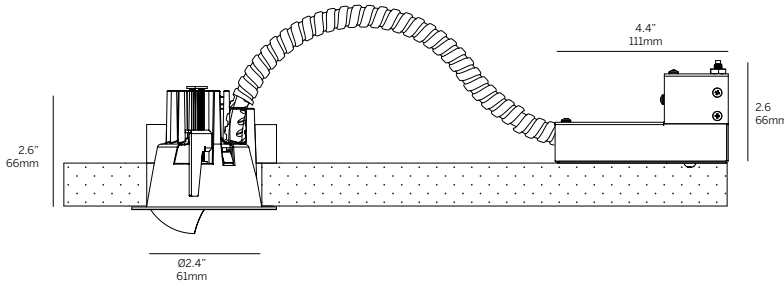
<sup>5</sup> See housings page for details.

# 2.4" General Downlight

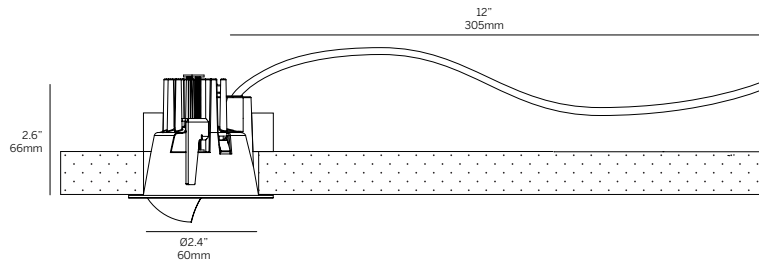
## Round Wall Wash - Dimensions



Integral Driver (standard)<sup>1,3</sup>



Integral Driver (shallow - SH)<sup>2,3</sup>

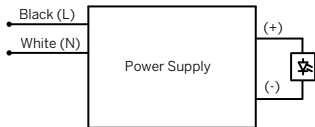


Remote Driver<sup>2,3</sup>

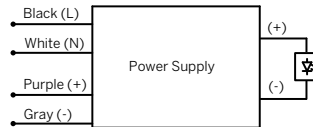
- <sup>1</sup> Requires 4.5" minimum ceiling clearance (void)
- <sup>2</sup> Requires 3.5" minimum ceiling clearance (void)
- <sup>3</sup> 1" max ceiling thickness, 1/16" min ceiling thickness, Does not allow through-wiring

## Drivers

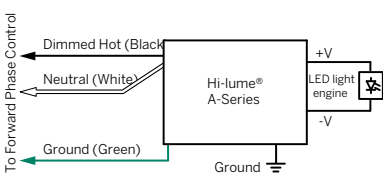
S (Standard non-dim)  
SPH (Standard Phase Dimming wired for forward phase)



S010 (Standard 0-10V)  
D010 (EldoLED 0-10V)

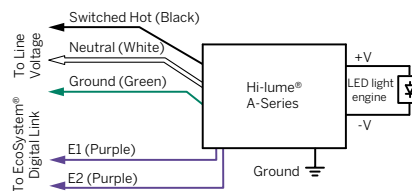


DFPN (Lutron forward phase with neutral)  
SPH (Standard Phase Dimming wired for reverse phase)



Note: Colors shown correspond to terminal blocks on driver.

PEQ1 1%/PEQ0 0.1% Dimming  
(Lutron EcoSystem 1% or 0.1% digital)

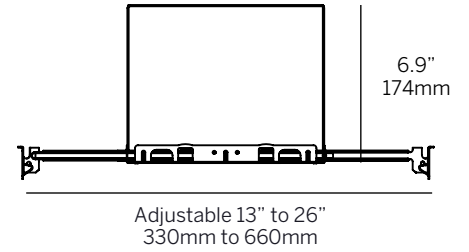
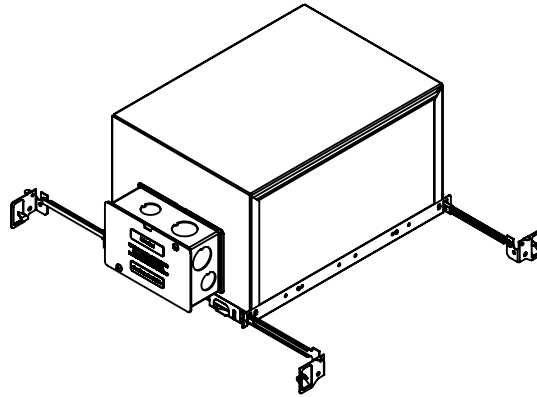
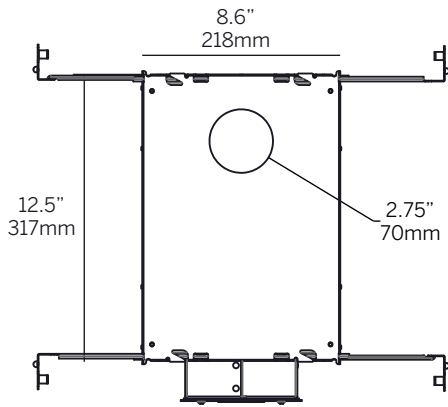


Note: Colors shown correspond to terminal blocks on driver.

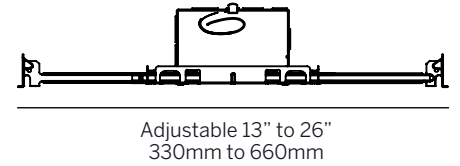
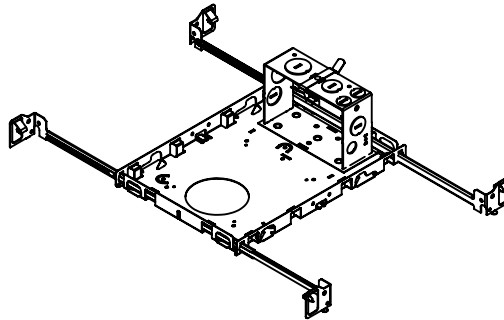
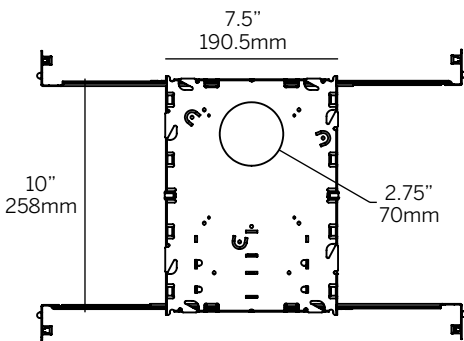
# 2.4" General Downlight

## Round Wall Wash - Housings

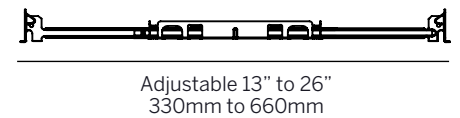
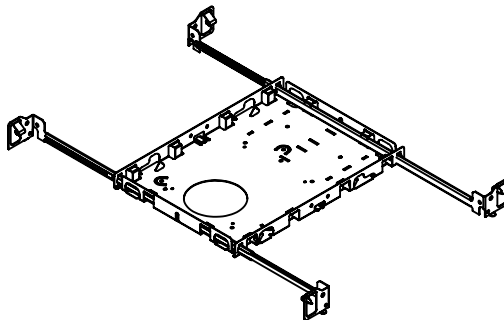
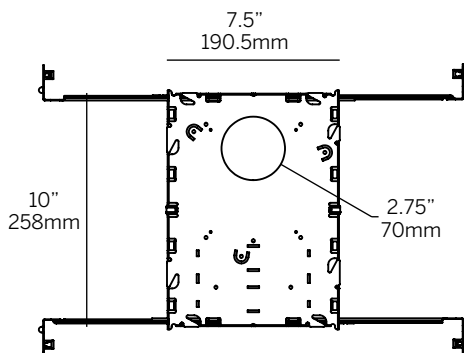
Chicago Plenum Housing (CP) / Insulated Ceiling Housing(IC)



New Construction Housing (NC) (requires accessible ceiling)



Landing Pan (LP)



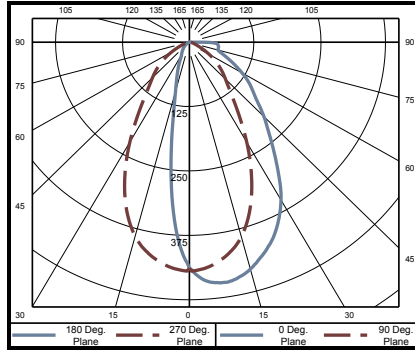
# 2.4" General Downlight

## Round Wall Wash



WG-60RGDL-RWW-W-W

		Delivered Lumens			
Power	W	2700K	3000K	3500K	4000K
L	5.9	364	392	392	419
M	8.6	495	533	533	571
H	12.4	654	704	704	753



Polar Plot

Cone of Light Tabulation*		
Mounting Height (Ft)	Footcandles at Nadir	Diameter (Ft)
4	27.4	3
6	12.2	4.5
8	6.9	6
10	4.4	7.6
12	3.1	9.1
14	2.2	10.6
16	1.7	12.1

\*Tabulation uses Mid Power / 935 LED