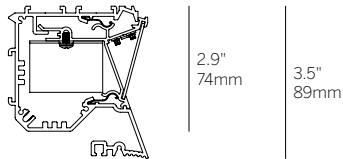


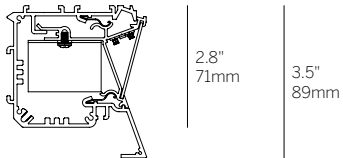
Plaster Trim



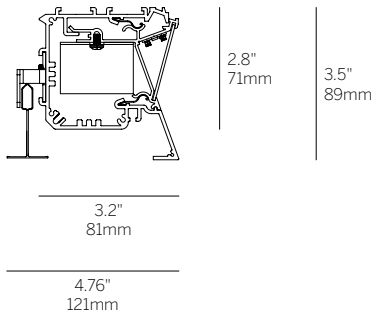
Bezel Trim



3.2" 81mm  
Plaster Trim (RPT)



3.2" 81mm  
Bezel Trim (RBT)



Grid Trim (RGT9/RGT15)

## Ordering Information

Model	Fixation	Pattern	Length	Power <sup>3</sup>	CRI/CCT <sup>4</sup>	Driver <sup>5</sup>	In-fill	Lens	Finish	Options
WG-ZC	RPT RBT RGT9 RGT15	S <sup>1</sup> PC <sup>2</sup> PR <sup>2</sup> PZ <sup>2</sup>	A A x B A x B x C A x B x A x B	L M H XH	927 930 935 940	X S D010 L3DAE L3DOE DFPN	X P4 P5 PX	SD (std)	W (std) F	LEC REC LREC

### Luminaire

- Linear perimeter slot system featuring plaster-in or bezel precision knife edge for clean, minimal effect.
- Suitable for 5/8" drywall ceiling.
- Lengths and angles factory cut to exact field dimensions.
- Mitered corners available with continuous LED illumination.
- Powder coat painted white - RAL 9010
- Optional adjustable In-Fill panel to accommodate 4" - 6" slot.

### Fixation

- RPT = Recessed Plaster Trim
- RBT = Recessed Bezel Trim
- RGT9 = Recessed Grid Trim 9/16"
- RGT15 = Recessed Grid Trim 15/16"

### Pattern

- S = Straight run<sup>1</sup>
- PC = Standard patterns coffer 2, 3 or 4 sided with 90° corners<sup>2</sup>
- PR = Standard patterns raft 2, 3 or 4 sided with 90° corners<sup>2</sup>
- PZ = Non-standard patterns and/or corners other than 90°, consult factory<sup>2</sup>

### Length

- A, B, C = specify inches to the nearest 0.25" (i.e. 72.25") For patterns specify each length (i.e. 2 sided: A x B = 72.25" x 48"; 3 sided: A x B x C; 4 sided: A x B x A x B)

### Power<sup>3</sup>

- L = 3W/ft low power (24V)
- M = 6W/ft mid power (24V)
- H = 10W/ft high power (24V)
- XH = 13W/ft extra high power (24V)

### CCT / CRI<sup>4</sup>

- 90+ CRI minimum (Low/Mid/High/Extra High)
- 927 = 2700K, (290/579/965/1254 lm/ft)
  - 930 = 3000K, (290/579/965/1254 lm/ft)
  - 935 = 3500K, (296/591/984/1280 lm/ft)
  - 940 = 4000K, (296/591/984/1280 lm/ft)

### Driver (integral)<sup>5</sup>

- X = No driver, ordered separately
- S = Standard driver, 120-277V
- D010 = 10%, 0-10V dimming, 120-277V
- L3DAE = Lutron Hi-lume 1% EcoSystem, 120-277V
- L3DOE = Lutron Hi-lume Premier 0.1% EcoSystem, 120-277V (remote only)
- DFPN = Lutron Forward Phase 1%, 120VAC

### In-fill

- X = No in-fill panel
- P4 = 4" - 5" adjustable in-fill panel
- P5 = 5" - 6" adjustable in-fill panel
- PX = Custom in-fill panel

### Lens

- SD = Satin clear diffuser (standard)

### Finish

- W = White, 15% gloss, RAL9010 (standard)
- F = Custom finish, specify RAL

### Options

- LEC = Left end cap
- REC = Right end cap
- LREC = Left & Right end caps

### Emergency Remote Only

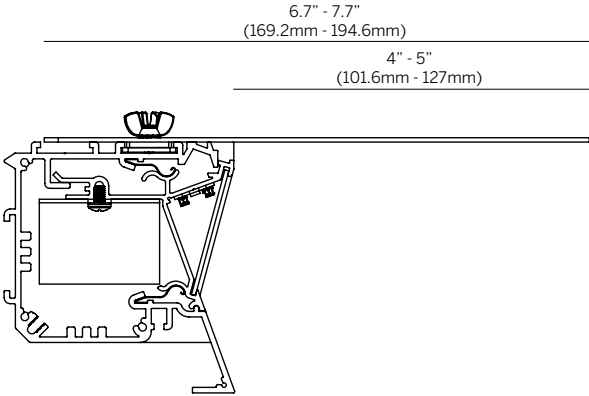
- Emergency LED battery backup available, order separately.

- Standard setup assumes the cove ends at a perpendicular wall and the LED board is setback from the end to minimize light on the perpendicular wall. Contact us for options.
- See pattern specsheet.
- Wattage shown does not include power supplies/drivers.
- Delivered lumens with satin clear diffuser shown.
- Integral driver, except L3DOE (remote only). See power supply page for details.

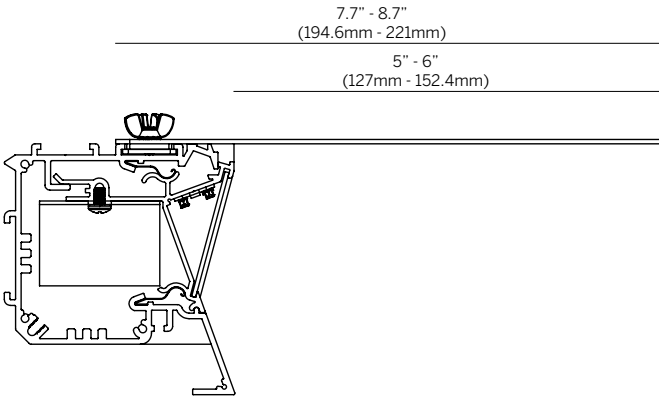
# Z Cove Flat Diffuser



## In-fill Panels



P4 = 4" - 5" adjustable in-fill panel



P5 = 5" - 6" adjustable in-fill panel