

4" ProTools D Downlight

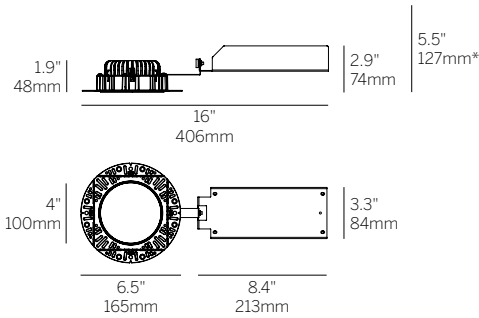
Round Flush Diffuser



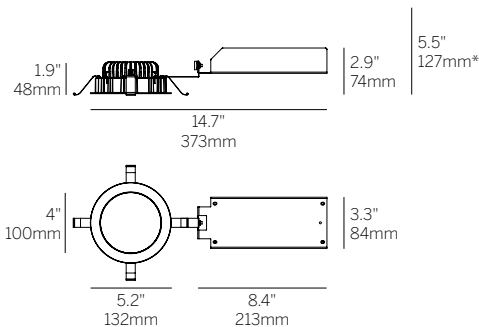
Recessed Plaster Trim



Recessed Bezel Trim



Recessed Plaster Trim (RPT)



Recessed Bezel Trim (RBT)

*Minimum of 5.5" (127mm) ceiling void is required to install the integral driver from below the ceiling.

Cut Out: Ø 4.75" / 121mm

Ordering Information

Model	Fixation	Power ^{1,2}	CRI/CCT ³	Driver ⁴	Lens	Beam	Finish	Options
WG-100RPTD	RPT RBT	L M H	927 930 935 940	X S D010 PEQ1 PEQ0 DFPN	FROD	LAM	W S ⁵	LP CP IC

Luminaire

- 4" round aperture downlight for wide distribution ambient lighting.
- High angle distribution for good vertical illumination.
- High transmission, evenly illuminated Flush Satin Opal Lens.
- Luminaire and driver installed and maintained from below the ceiling.
- Modular interchangeability throughout the entire ProTools range of products.

Fixation

- RPT = Recessed Plaster Trim
- RBT = Recessed Bezel Trim

Power^{1,2}

- L = Low Power, 11W @ 350mA
- M = Mid Power, 15W @ 500mA
- H = High Power, 22.5W @ 700mA

CRI/CCT³

90+ CRI (Low/Mid/High Power)

- 927 = 2700K, (849/1185/1609 lm)
- 930 = 3000K, (873/1218/1655 lm)
- 935 = 3500K, (920/1284/1744 lm)
- 940 = 4000K, (971/1354/1839 lm)

Driver⁴

- X = Remote driver, ordered separately
- S = Standard non-dim driver, 120-277V
- D010 = EidoLED, 1%, 0-10V Driver, 120-277V
- PEQ1 = Lutron Hi-lume 1% EcoSystem, 120-277V (low and mid power only)
- PEQ0 = Lutron Hi-lume Premier 0.1% EcoSystem, 120-277V (low and mid power only)
- DFPN = Lutron Forward Phase 1% 120VAC

Lens

- FROD = Flush Round Satin Opal Lens

Beam

- LAM = Lambertian

Finish

- W = White, 15% gloss, RAL9003 (standard)
- S = Silver, 15% gloss⁵

Options

ProTools downlights require no additional options kits for remodel & new construction

- LP = Landing Pan
- CP = Chicago Plenum Housing
- IC = IC/NC Housing

¹ Other lumen packages available, consult factory.

² Wattage shown does not include power supplies/drivers. System wattage adds 10-20%.

³ Delivered lumen data shown for 100RPTD-...-FROD-LAM-W. See Page 2 for additional details.

⁴ See power supply page for details.

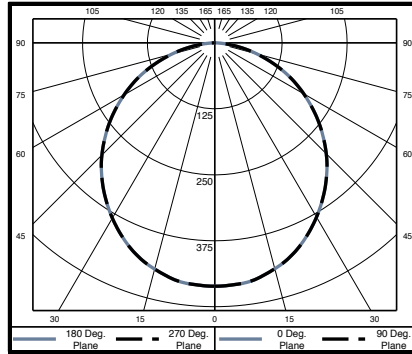
⁵ Plaster trim version includes white frame and silver cover.

4" ProTools D Downlight

Round Flush Diffuser

WG-100RPTD-...-FROD-LAM-W

Power	W	Delivered Lumens			
		2700K	3000K	3500K	4000K
L	11	849	873	920	971
M	15	1185	1218	1284	1354
H	22.5	1609	1655	1744	1839



Polar Plot

Cone of Light Tabulation*		
Mounting Height (Ft)	Footcandles at Nadir	Diameter (Ft)
4	28.8	5
6	12.8	7.4
8	7.2	9.9
10	4.6	12.4
12	3.2	14.8
14	2.4	17.4
16	1.8	19.8

*Tabulation uses Mid Power / 935 LED