

4" ProTools D Downlight

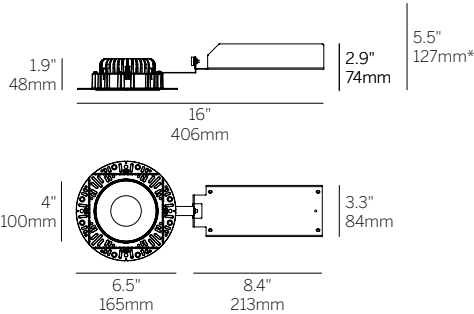
Round Recessed Cone



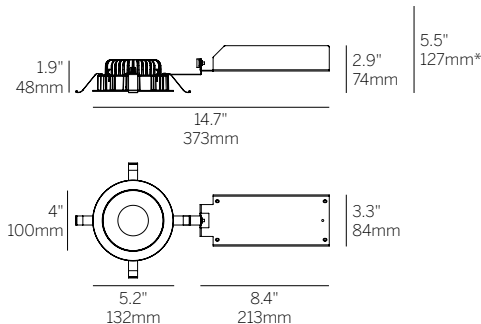
Recessed Plaster Trim



Recessed Bezel Trim



Recessed Plaster Trim (RPT)



Recessed Bezel Trim (RBT)

*Minimum of 5.5" (127mm) ceiling void is required to install the integral driver from below the ceiling.

Cut Out: Ø 4.75" / 121mm

Ordering Information

Model	Fixation	Power ^{1,2}	CRI/CCT ³	Driver ⁴	Cover	Lens	Beam	Finish	Options ⁶
WG-100RPTD					RRC	RSO	110		
WG-100RPTD	RPT RBT	L M H	927 930 935 940	X S D010 PEQ1 PEQ0 DFPN	RRC	RSO	110	W S ⁵	LP CP IC WL

Luminaire

- 4" round aperture downlight with wide distribution ambient lighting.
- 0.7" regressed, evenly illuminated, highly efficient Satin Opal Lens.
- High efficiency, high transmission lens.
- Luminaire and driver installed and maintained from below the ceiling.
- Modular interchangeability throughout the entire ProTools range of products.

Fixation

- RPT = Recessed Plaster Trim
- RBT = Recessed Bezel Trim

Power^{1,2}

- L = Low Power, 11W @ 350mA
- M = Mid Power, 15W @ 500mA
- H = High Power, 22.5W @ 700mA

CRI/CCT³

90+ CRI (Low/Mid/High Power)

- 927 = 2700K, (700/976/1326 lm)
- 930 = 3000K, (719/1004/1364 lm)
- 935 = 3500K, (758/1058/1437 lm)
- 940 = 4000K, (800/1116/1516 lm)

Driver⁴

- X = Remote driver, ordered separately
- S = Standard non-dim driver, 120-277V
- D010 = EldoLED, 1%, 0-10V Driver, 120-277V
- PEQ1 = Lutron Hi-lume 1% EcoSystem, 120-277V (low and mid power only)
- PEQ0 = Lutron Hi-lume Premier 0.1% EcoSystem, 120-277V (low and mid power only)
- DFPN = Lutron Forward Phase 1% 120VAC

Cover

- RRC = Round Recessed Cone

Lens

- RSO = Satin Opal

Beam

- 110 = 110° Beam Angle

Finish

- W = White, 15% gloss, RAL9003 (standard)
- S = Silver, 15% gloss⁵

Options⁶

ProTools downlights require no additional options kits for remodel & new construction

- LP = Landing Pan
- CP = Chicago Plenum Housing
- IC = IC/NC Housing
- WL = Wet Location

¹ Other lumen packages available, consult factory.

² Wattage shown does not include power supplies/drivers. System wattage adds 10-20%.

³ Delivered lumen data shown for 100RPTD-...-RRC-RSO-110-W. See Page 2 for additional details.

⁴ See power supply page for details.

⁵ Plaster trim version includes white frame and silver cover.

⁶ To specify multiple options, select the appropriate grouped codes from the dropdown e.g. LP-WL.

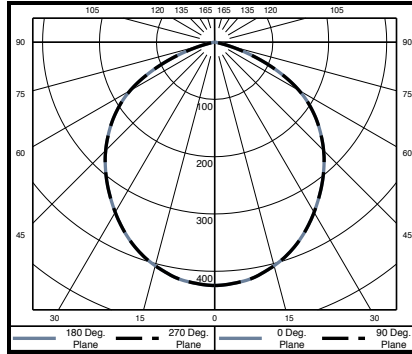
4" ProTools D Downlight

Round Recessed Cone



WG-100RPTD-RRC-RSO-110-W

Power	W	Delivered Lumens			
		2700K	3000K	3500K	4000K
L	11	700	719	758	800
M	15	976	1004	1058	1116
H	22.5	1326	1364	1437	1516



Polar Plot

Cone of Light Tabulation*		
Mounting Height (Ft)	Footcandles at Nadir	Diameter (Ft)
4	26.5	4.8
6	11.8	7.2
8	6.6	9.6
10	4.3	12
12	3	14.4
14	2.2	16.8
16	1.7	19.3

*Tabulation uses Mid Power / 935 LED