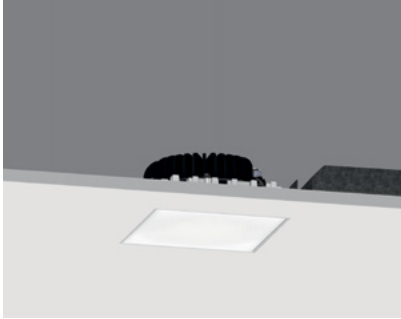


# 4" ProTools D Downlight

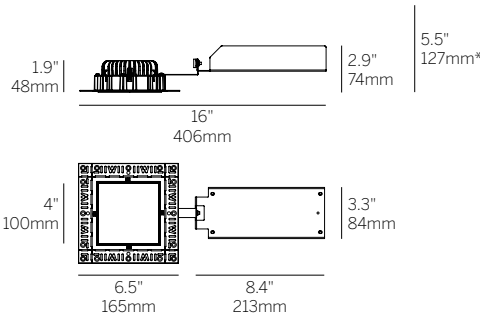
## Square Flush Diffuser



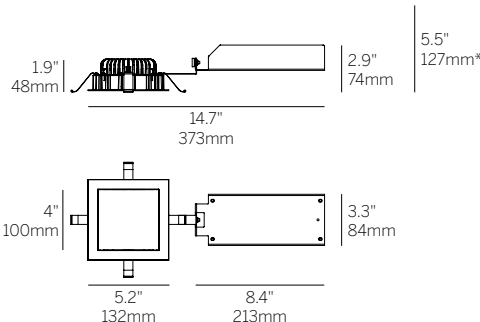
Recessed Plaster Trim



Recessed Bezel Trim



Recessed Plaster Trim (RPT)



Recessed Bezel Trim (RBT)

\*Minimum of 5.5" (127mm) ceiling void is required to install the integral driver from below the ceiling.

Cut Out:  $\square$ 4.75" / 121mm

### Ordering Information

Model	Fixation	Power <sup>1,2</sup>	CRI/CCT <sup>3</sup>	Driver <sup>4</sup>	Lens	Beam	Finish	Options
WG-100SPTD	RPT RBT	L M H	927 930 935 940	X S D010 PEQ1 PEQ0 DFPN	FSOD	LAM	W S <sup>5</sup>	LP CP IC

### Luminaire

- 4" square aperture downlight for wide distribution ambient lighting.
- High angle distribution for good vertical illumination.
- High transmission, evenly illuminated Flush Satin Opal Lens.
- Luminaire and driver installed and maintained from below the ceiling.
- Modular interchangeability throughout the entire ProTools range of products.

### Fixation

- RPT = Recessed Plaster Trim
- RBT = Recessed Bezel Trim

### Power<sup>1,2</sup>

- L = Low Power, 11W @ 350mA
- M = Mid Power, 15W @ 500mA
- H = High Power, 22.5W @ 700mA

### CRI/CCT<sup>3</sup>

- 90+ CRI (Low/Mid/High Power)
- 927 = 2700K, (850/1187/1612 lm)
  - 930 = 3000K, (875/1220/1657 lm)
  - 935 = 3500K, (922/1286/1747 lm)
  - 940 = 4000K, (972/1356/1842 lm)

### Driver<sup>4</sup>

- X = Remote driver, ordered separately
- S = Standard non-dim driver, 120-277V
- D010 = EidoLED, 1%, 0-10V Driver, 120-277V
- PEQ1 = Lutron Hi-lume 1% EcoSystem, 120-277V (low and mid power only)
- PEQ0 = Lutron Hi-lume Premier 0.1% EcoSystem, 120-277V (low and mid power only)
- DFPN = Lutron Forward Phase 1% 120VAC

### Lens

- FSOD = Flush Square Satin Opal Lens

### Beam

- LAM = Lambertian

### Finish

- W = White, 15% gloss, RAL9003 (standard)
- S = Silver, 15% gloss<sup>5</sup>

### Options

ProTools downlights require no additional options kits for remodel & new construction

- LP = Landing Pan
- CP = Chicago Plenum Housing
- IC = IC/NC Housing

<sup>1</sup> Other lumen packages available, consult factory.

<sup>2</sup> Wattage shown does not include power supplies/drivers. System wattage adds 10-20%.

<sup>3</sup> Delivered lumens shown for WG-100SPTD-...-FSOD-LAM-W. See Page 2 for additional details.

<sup>4</sup> See power supply page for details.

<sup>5</sup> Plaster trim version includes white frame and silver cover.

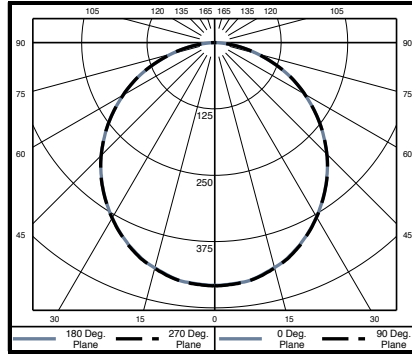
# 4" ProTools D Downlight

## Square Flush Diffuser



WG-100SPTD-FSOD-W

Power	W	Delivered Lumens			
		2700K	3000K	3500K	4000K
L	11	850	875	922	972
M	15	1187	1220	1286	1356
H	22.5	1612	1657	1747	1842



Polar Plot

Cone of Light Tabulation*		
Mounting Height (Ft)	Footcandles at Nadir	Diameter (Ft)
4	28.6	5
6	12.7	7.4
8	7.2	9.9
10	4.6	12.4
12	3.2	14.9
14	2.3	17.4
16	1.8	19.8

\*Tabulation uses Mid Power / 935 LED