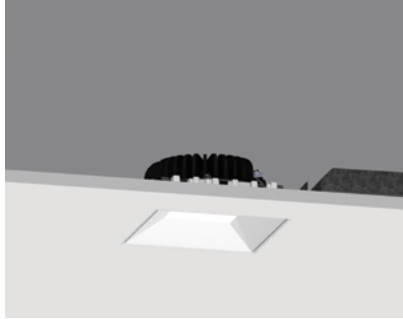


# 4" ProTools D Downlight

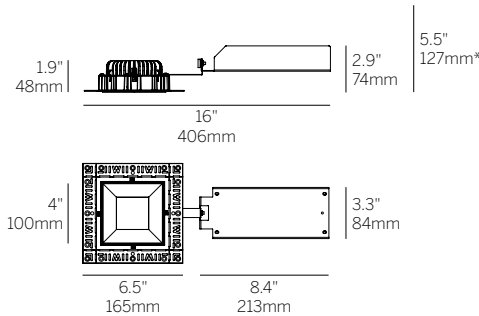
## Square Recessed Cone



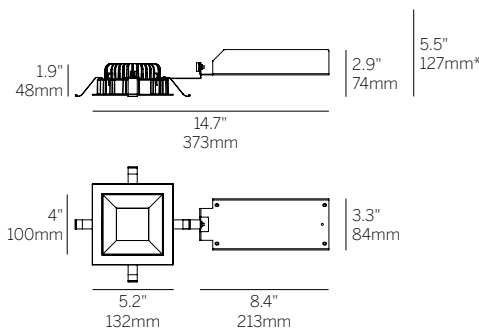
Recessed Plaster Trim



Recessed Bezel Trim



Recessed Plaster Trim (RPT)



Recessed Bezel Trim (RBT)

\*Minimum of 5.5" (127mm) ceiling void is required to install the integral driver from below the ceiling.

Cut Out:  $\square$ 4.75" / 121mm

### Ordering Information

| Model      | Fixation   | Power <sup>1,2</sup> | CRI/CCT <sup>3</sup>     | Driver <sup>4</sup>                    | Cover | Lens | Beam | Finish              | Options <sup>6</sup> |
|------------|------------|----------------------|--------------------------|--|-------|------|------|---------------------|----------------------|
| WG-100SPTD |            |                      |                          |  | SRC   | RSO  | 110  |                     |                      |
| WG-100SPTD | RPT<br>RBT | L<br>M<br>H          | 927<br>930<br>935<br>940 | X<br>S<br>D010<br>PEQ1<br>PEQ0<br>DFPN | SRC   | RSO  | 110  | W<br>S <sup>5</sup> | LP<br>CP<br>IC<br>WL |

### Luminaire

- 4" square aperture downlight with wide distribution ambient lighting.
- 0.7" regressed, evenly illuminated, highly efficient Satin Opal Lens.
- High efficiency, high transmission lens.
- Luminaire and driver installed and maintained from below the ceiling.
- Modular interchangeability throughout the entire ProTools range of products.

### Fixation

- RPT = Recessed Plaster Trim
- RBT = Recessed Bezel Trim

### Power<sup>1,2</sup>

- L = Low Power, 11W @ 350mA
- M = Mid Power, 15W @ 500mA
- H = High Power, 22.5W @ 700mA

### CRI/CCT<sup>3</sup>

- 90+ CRI (Low/Mid/High Power)
- 927 = 2700K, (760/1060/1440 lm)
  - 930 = 3000K, (781/1090/1481 lm)
  - 935 = 3500K, (824/1149/1561 lm)
  - 940 = 4000K, (868/1212/1646 lm)

### Driver<sup>4</sup>

- X = Remote driver, ordered separately
- S = Standard non-dim driver, 120-277V
- D010 = EdoLED, 1%, 0-10V Driver, 120-277V
- PEQ1 = Lutron Hi-lume 1% EcoSystem, 120-277V (low and mid power only)
- PEQ0 = Lutron Hi-lume Premier 0.1% EcoSystem, 120-277V (low and mid power only)
- DFPN = Lutron Forward Phase 1% 120VAC

### Cover

- SRC = Square Recessed Cone

### Lens

- RSO = Satin Opal

### Beam

- 110 = 110° Beam Angle

### Finish

- W = White, 15% gloss, RAL9003 (standard)
- S = Silver, 15% gloss<sup>5</sup>

### Options<sup>6</sup>

ProTools downlights require no additional options kits for remodel & new construction

- LP = Landing Pan
- CP = Chicago Plenum Housing
- IC = IC/NC Housing
- WL = Wet Location

<sup>1</sup> Other lumen packages available, consult factory.

<sup>2</sup> Wattage shown does not include power supplies/drivers. System wattage adds 10-20%.

<sup>3</sup> Delivered lumens shown fro 100SPTD-...-SRC-RSO-110-W. See Page 2 for additional details.

<sup>4</sup> See power supply page for details.

<sup>5</sup> Plaster trim version includes white frame and silver cover.

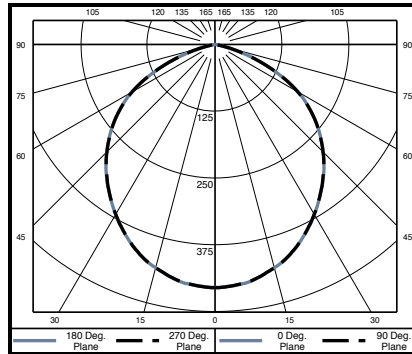
<sup>6</sup> To specify multiple options, select the appropriate grouped codes from the dropdown e.g. LP-WL.

# 4" ProTools D Downlight

## Square Recessed Cone

WG-100SPTD-SRC-RSO-110-W

| Power | W    | Delivered Lumens |       |       |       |
|-------|------|------------------|-------|-------|-------|
|       |      | 2700K            | 3000K | 3500K | 4000K |
| L     | 11   | 760              | 781   | 824   | 868   |
| M     | 15   | 1060             | 1090  | 1149  | 1212  |
| H     | 22.5 | 1440             | 1481  | 1561  | 1646  |



Polar Plot

| Cone of Light Tabulation* |                      |               |
|---------------------------|----------------------|---------------|
| Mounting Height (Ft)      | Footcandles at Nadir | Diameter (Ft) |
| 4                         | 28.4                 | 4.8           |
| 6                         | 12.6                 | 7.2           |
| 8                         | 7.1                  | 9.7           |
| 10                        | 4.6                  | 12            |
| 12                        | 3.2                  | 14.4          |
| 14                        | 2.3                  | 16.8          |
| 16                        | 1.8                  | 19.3          |

\*Tabulation uses Mid Power / 935 LED