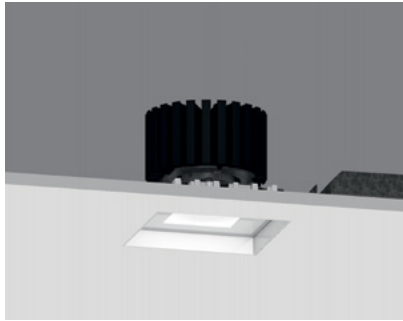


4" ProTools DL Downlight

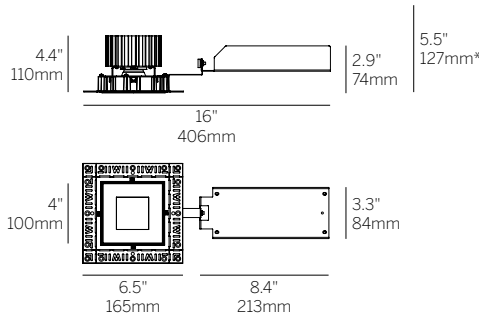
Square Regressed Pinhole



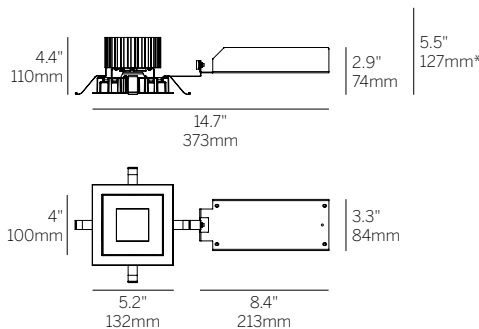
Recessed Plaster Trim



Recessed Bezel Trim



Recessed Plaster Trim (RPT)



Recessed Bezel Trim (RBT)

*Minimum of 5.5" (127mm) ceiling void is required to install the integral driver from below the ceiling.

Cut Out: \square 4.75" / 121mm

Ordering Information

Model	Fixation	Power ^{1,2}	CRI/CCT ³	Driver ⁴	Cover	Lens	Beam	Finish	Options
WG-100SPTDLF					SRP				
WG-100SPTDLF	RPT RBT	L M H XH TW WD	927 930 935 940 TW WD	X S D010 PEQ1 PEQ0 DFPN TW WD	SRP	OA MPL RSC	16 32 41 65	W S ⁵	LP CP IC

Luminaire

- 4" square downlight with 2" light aperture.
- 1/2" regressed aperture / lens position.
- 55 degree cut-off.
- Luminaire and driver installed and maintained from below the ceiling.
- Modular interchangeability throughout the entire ProTools range of products.

Fixation

- RPT = Recessed Plaster Trim
- RBT = Recessed Bezel Trim

Power^{1,2}

- L = Low Power, 5.7W @ 350mA
- M = Mid Power, 8.4W @ 500mA
- H = High Power, 12W @ 700mA
- XH = Extra High Power, 17.8W @ 1050mA
- TW = 9W @ 500mA
- WD = 0.4 - 11.8W @ 350mA

CRI/CCT³

- 90+ CRI (Low/Mid/High/Extra High)
- 927 = 2700K, (494/686/923/1293 lm)
 - 930 = 3000K, (532/738/ 993/1391 lm)
 - 935 = 3500K, (532/738/993/1391 lm)
 - 940 = 4000K, (569/790/1063/1489 lm)
 - TW = Tunable White 1800 - 4000K, (610 - 1060 lm)
 - WD = Warm Dimming 1800 - 3000K, (31 - 1150 lm)

Driver⁴

- X = Remote driver, ordered separately
- S = Standard non-dim driver, 120-277V
- D010 = EldoLED, 1%, 0-10V Driver, 120-277V
- PEQ1 = Lutron Hi-lume 1% EcoSystem, 120-277V
- PEQ0 = Lutron Hi-lume Premier 0.1% EcoSystem, 120-277V
- DFPN = Lutron Forward Phase 1% 120VAC
- TW = EldoLED, 0.1%, DALI dimming (TW), 120-277V
- WD = EldoLED, 0.1%, 0-10V dimming (WD), 120-277V

Cover

- SRP = Square Regressed Pinhole

Lens

- OA = Open Aperture
- MPL = Micro-prismatic Lens
- RSC = Satin Clear

Beam

- 16 = 16° Beam Angle
- 32 = 32° Beam Angle
- 41 = 41° Beam Angle
- 65 = 65° Beam Angle

Finish

- W = White, 15% gloss, RAL9003 (standard)
- S = Silver, 15% gloss⁵

Options

ProTools downlights require no additional options kits for remodel & new construction

- LP = Landing Pan
- CP = Chicago Plenum Housing
- IC = IC/NC Housing

¹ Other lumen packages available, consult factory.

² Wattage shown does not include power supplies/drivers. System wattage adds 10-20%.

³ Delivered lumen data shown for WG-100RPTDLF-...-SRP-OA-16-W. Refer to page 2 for delivered lumen data for other product configurations.

⁴ See power supply page for details.

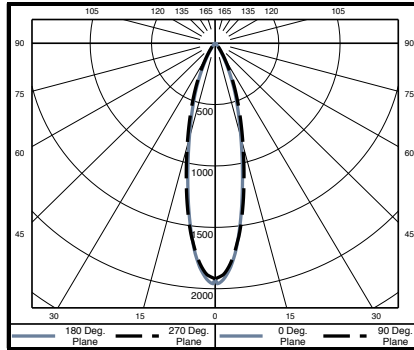
⁵ Plaster trim version includes white frame and silver cover.

4" ProTools DL Downlight

Square Regressed Pinhole

WG-100SPTDLF-...-SRP-OA-16-W

Power	W	Delivered Lumens			
		2700K	3000K	3500K	4000K
L	5.7	494	532	532	569
M	8.4	686	738	738	790
H	12	923	993	993	1063
XH	17.8	1293	1391	1391	1489



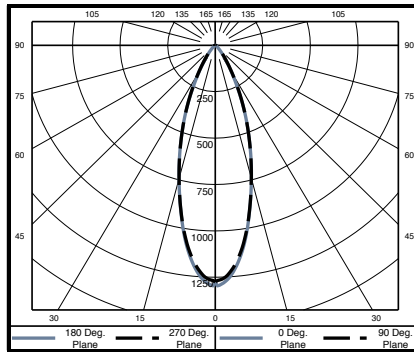
Polar Plot

Cone of Light Tabulation*		
Mounting Height (Ft)	Footcandles at Nadir	Diameter (Ft)
4	120	1.8
6	53.3	2.8
8	30	3.7
10	19.2	4.6
12	13.3	5.5
14	9.8	6.4
16	7.5	7.4

*Tabulation uses Mid Power / 935 LED

WG-100SPTDLF-...-SRP-OA-32-W

Power	W	Delivered Lumens			
		2700K	3000K	3500K	4000K
L	5.7	456	490	490	525
M	8.4	632	680	680	728
H	12	851	915	915	980
XH	17.8	1192	1282	1282	1373



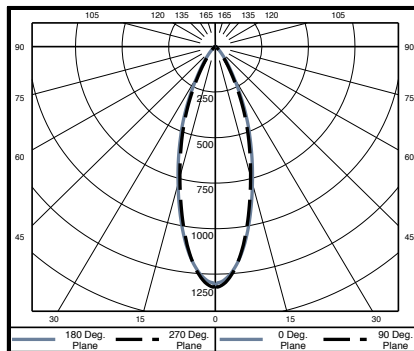
Polar Plot

Cone of Light Tabulation*		
Mounting Height (Ft)	Footcandles at Nadir	Diameter (Ft)
4	79.7	2.3
6	35.4	3.4
8	19.9	4.5
10	12.8	5.7
12	8.9	6.8
14	6.5	7.9
16	5	9.1

*Tabulation uses Mid Power / 935 LED

WG-100SPTDLF-...-SRP-OA-41-W

Power	W	Delivered Lumens			
		2700K	3000K	3500K	4000K
L	5.7	466	501	501	537
M	8.4	646	696	696	745
H	12	870	936	936	1002
XH	17.8	1219	1312	1312	1404



Polar Plot

Cone of Light Tabulation*		
Mounting Height (Ft)	Footcandles at Nadir	Diameter (Ft)
4	82.3	2.2
6	36.6	3.4
8	20.6	4.5
10	13.2	5.6
12	9.1	6.7
14	6.7	7.9
16	5.1	9

*Tabulation uses Mid Power / 935 LED

Delivered Lumen Lens Multipliers

Open Aperture (OA)	1.00
Micro-prismatic Lens (MPL)	0.90
Satin Clear (RSC)	0.88