

FCBT690A



Date:	Approved:
Type:	
Fixture:	
Project:	

FCBT690A Wildlife friendly, amber LED exterior die-cast aluminum square top bollard tower with right angle head position. Available in 42" height. Certified by the Florida Fish & Wildlife Conservation Commission for use in areas where protected wildlife exist.



Wildlife Lighting Certified
by the Florida Fish & Wildlife
Conservation Commission

SPECIFICATIONS

PHYSICAL

dimensions	42" H x 8" W x 9" Deep at lamp (3" D at column)
weight	20 lbs
housing	Marine grade, corrosion resistant, heavy guage aluminum
lens	Impact resistant, UV stabilized, opal, polycarbonate diffuser
mounting	Heavy gauge base bracketing for bollard installation provides a unique mounting solution, so the tower body anchors flush to the ground without the appearance of a base plate, anchor bolts included (j-box by others)
ingress protection	IP65 : dry, damp or wet locations with neoprene continuous closed cell gasket to seal out contaminants
finish	Six stage chemical iron phosphate conversion pre-treatment. Polyester powder coat finish, 18µm Min., 5000hr salt spray test (ASTM B117) compliant with Florida/ AAMA 2605 specification

PERFORMANCE

color temperature	AMBER (no light below 560nm wavelength)
lumen output	500 lm
lifetime	> 70,000 hours / L70 or better
color consistency	3 SDCM / Standard: 85 CRI
operating temperature	-13°F to 104°F (-25°C to 40°C) start up: -13°F to 104°F (-25°C to 40°C) storage: -40°F to 176°F (-40°C to 80°C)
junction temperature	73°C @ T ^a 25°C
warranty	5-Year limited warranty (refer to website for details)

ELECTRICAL

input voltage	Universal 120–277V AC
power supply	Integral
certification	ETL / cETL Listed; Wildlife Friendly Lighting Certification #2018-049
standards	UL 1598 / CSA C22.2 No. 250.0 - Class I / IES LM-79 / LM-80
power consumption	10.5W @ 120V - 277V



Due to continuous development and improvements, specifications are subject to change without notice. FC Lighting reserves the right to change lab test details or specifications without notice. Product use certifies agreement to FC Lighting terms and conditions. FCC Series Cylinder Lights are engineered and produced in our Illinois manufacturing facility.



Ordering Information

ORDERING INFORMATION

FCBT690A	UNV	42	AM	5L		
SERIES	VOLTAGE	HEIGHT	CCT	LUMENS	FINISH	OPTIONS
FCBT690A	UNV UNV 120V-277V	42 42"	AM Amber	5L 500 lm (10.5W)	BK Black BZ Bronze SL Silver CC Custom Color	SP Surge Protector HS 180° House Side Shield

Due to continuous development and improvements, specifications are subject to change without notice. FC Lighting reserves the right to change lab test details or specifications without notice. Product use certifies agreement to FC Lighting terms and conditions. FCC Series Cylinder Lights are engineered and produced in our Illinois manufacturing facility.



Physical

PRODUCT DIMENSIONS - STANDARD PRODUCT		MOUNTING	
height	42" H	mounting plate depth	3" D
width	8" W	mounting plate width	8" W
depth	9" D lamp		
depth	3" D column		

Anchor Bolt Part # 94523B-4

Quantity Required 4 for each bollard

mounting hole pattern

Base Mount Detail

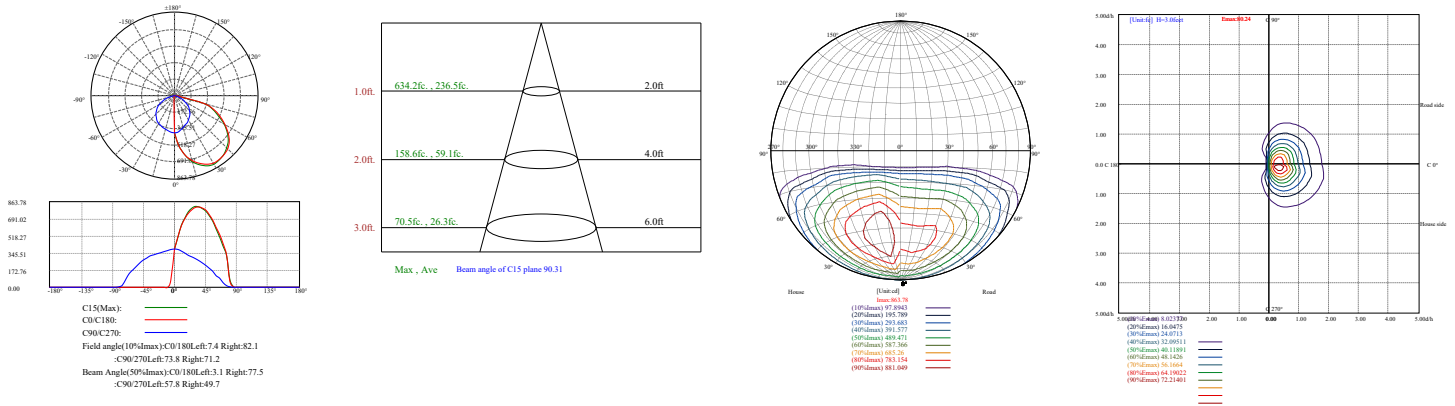
Bollard uniquely attaches flush at the base to the mounting surface with no visual sign of a base plate.

Due to continuous development and improvements, specifications are subject to change without notice. FC Lighting reserves the right to change lab test details or specifications without notice. Product use certifies agreement to FC Lighting terms and conditions. FCC Series Cylinder Lights are engineered and produced in our Illinois manufacturing facility.

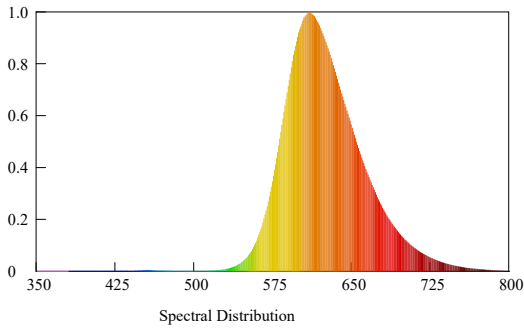


Photometry

OPTICAL DISTRIBUTION



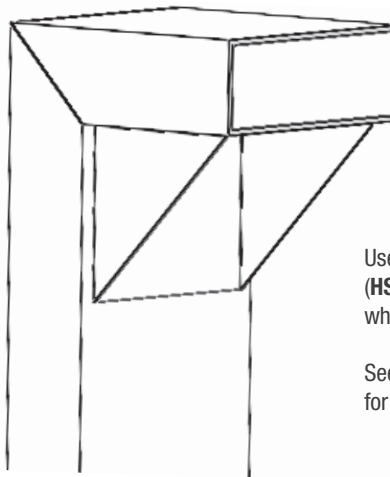
Spectroradiometric Parameters



OPTIONS

FIND IES FILES ON FCLighting.com

HS - 180° House Side Shield



Use the 180° House Side Shield (HS) to protect beach side areas where fixtures are installed.

See wildlife fixture regulations for specific requirements.

Due to continuous development and improvements, specifications are subject to change without notice. FC Lighting reserves the right to change lab test details or specifications without notice. Product use certifies agreement to FC Lighting terms and conditions. FCC Series Cylinder Lights are engineered and produced in our Illinois manufacturing facility.