

specter

SPSS MODULES
UNDROP WASHER

bold
lighting



UNDROP WASHER

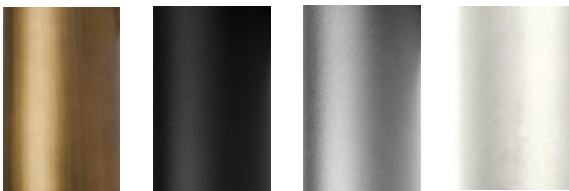
Our Magnetic track system, SPECTER, is a highly configurable, 2 circuits, 24VDC low voltage track system. Thanks to its magnet mounting technology, the modules are inter-changeable instantaneously. Our track is available in ceiling pendant, surface and recessed mounting for both ceiling and walls. SPECTER track is also available with an optional linear uplight feature. The Undrop module offers a quietly recessed fixture configuration, flush with the face of the track. It comes with a wide range of lengths and optics, allowing the illumination of both horizontal or vertical planes, at different ceiling heights, ranging from a single level to a tall triple level atrium.

- Up to 3,700lm delivered output
- Available in various length from 3" to 36" sections
- Available in Low glare baffles and Opal lens
- Fixtures designed to mount in SPECTER track
- Available in 4 standard finishes: Black, white, silver and bronze

Notes: ¹ Available dimming 0-10V and DALI

Code example: **SPSF-W**06W-W-W827-2

STANDARD FINISHES



Z

B

S

W

DELIVERED LUMEN OUTPUT

Length	Watts	CRI +80				CRI +90			
		2700K	3000K	3500K	4000K	2700K	3000K	3500K	4000K
6"	8W	536lm	595lm	655lm	720lm	432lm	480lm	528lm	581lm
12"	16W	1175lm	1306lm	1436lm	1580lm	948lm	1053lm	1158lm	1274lm
16"	24W	1905lm	2117lm	2328lm	2561lm	1536lm	1707lm	1878lm	2065lm

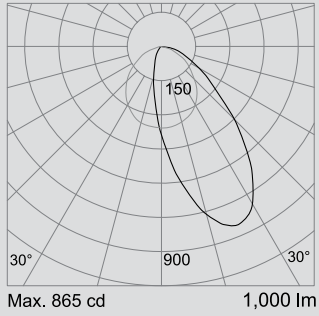
Series	Length		Body Finish		Baffle Finish		Beam Angle		CRI		Color Temp		Circuit					
SPSF-W	06	6"	W	White	W	White	W	Wallwash	8	+80	27	2700K	1	1-Circuit				
	12	12"	B	Black	B	Black					9	+90			30	3000K	2	2-Circuit
	16	16"	S	Silver	S	Silver					35	3500K						
			Z	Bronze	Z	Bronze									40	4000K		
			X	Custom	X	Custom												



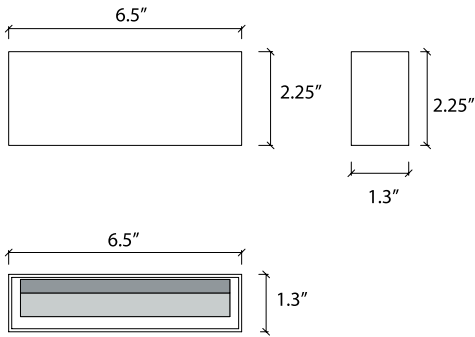
Bold Lighting
4710 Ecton Dr., Marietta, GA 30066, USA
info@boldlighting.us www.boldlighting.us
t: +1-678-903-4061

Photometric data:
Type C Polar Curves

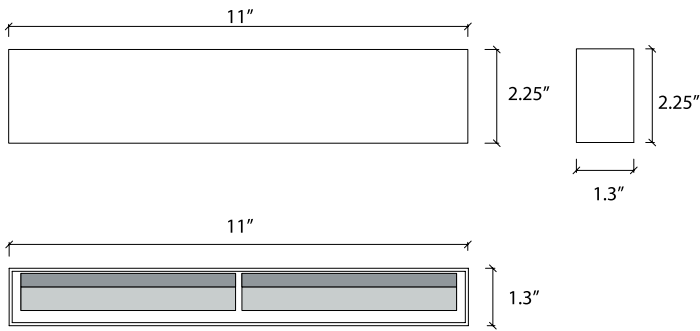
Wallwash Beam



UNDROP WASHER 6



UNDROP WASHER 12



UNDROP WASHER 16

