

Microlinea™ Wall Series 2 - Open or FDC Up/Accent Lens Down



Catalog Number	Type
Project Name	

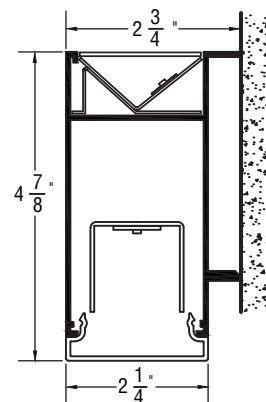
MLP2-IASY/D-FDC/AL

2- 3/4" x 4- 7/8" Indirect-Asym./Direct -
Open Aperture or Frosted Dust Cover
Up & Accent Lens Down

ADA Compliant



Limited Warranty
LED Boards & Drivers



Frosted Dust Cover Up Shown

- MLP2-IASY/D-MO/MO-FDC/AL
- MLP2-IASY/D-MO/MO-OP/AL
- MLP2-IASY/D-HO/HO-FDC/AL
- MLP2-IASY/D-HO/HO-OP/AL

*Due to continued advancement in LED technology, lumen performance is subject to change. Please visit our website for the most up-to-date information.

S P E C I F I C A T I O N S

Housing

One-piece .070" thick extruded aluminum. Die-cast aluminum endcaps are secured with no visible fasteners. Standard lengths are nominal 2', 3', 4', 6', 8' and 12'. Provisions may be made for continuous rows of any length.

Finish

Standard and premium finishes are baked powder coat electrostatically applied (2.0 mil minimum thickness) to assure aesthetics and durability.

Indirect Optical Controls

- (FDC) Frosted Acrylic Dust Cover
- (OP) Open Aperture

Direct Optical Controls

(AL) .070" thick, high transmittance extruded acrylic snap-in accent lens. Lens extends 3/8" below extrusion edge.

Reflector/Heat Sink

- Indirect - .040" thick die-formed aluminum Finished with a high reflectance white enamel.
- Direct - .040" thick die-formed aluminum Finished with a high reflectance white enamel.

Driver (Standard)

Osram-Sylvania "Optotronic" power supply is UL/CUL recognized, 0-10V dimming available, 120-277 universal voltage. 347V is available.

Light Engine (Standard)

Mid-Power LED modules available for 3000K, 3500K and 4000K CCT. Standard outputs at 80 CRI:

- MO/MO(FDC/AL): *3823 Total Del'd Lms. at 35 System Wts.
 - MO/MO(OP/AL): *4365 Total Del'd Lms. at 35 System Wts.
 - HO/HO(FDC/AL): *5570 Total Del'd Lms. at 54 System Wts.
 - HO/HO(OP/AL): *6300 Total Del'd Lms. at 53 System Wts.
- (*Values per 4' length using 3500K LED modules)

Driver (Tunable White)

EldoLED power supply is UL recognized, DALI 0-10V, or DMX available, 120-277 universal voltage.

Light Engine (Tunable White)

Tunable White LED light source available for 2700K thru 6500K CCT, and 80 or 90 CRI.

Circuitry

All fixtures are factory pre-wired for a single circuit. Provision for multiple switching/circuiting is optional.

Wiring

All fixtures intended for continuous rows are provided with factory installed quick-connect wiring.

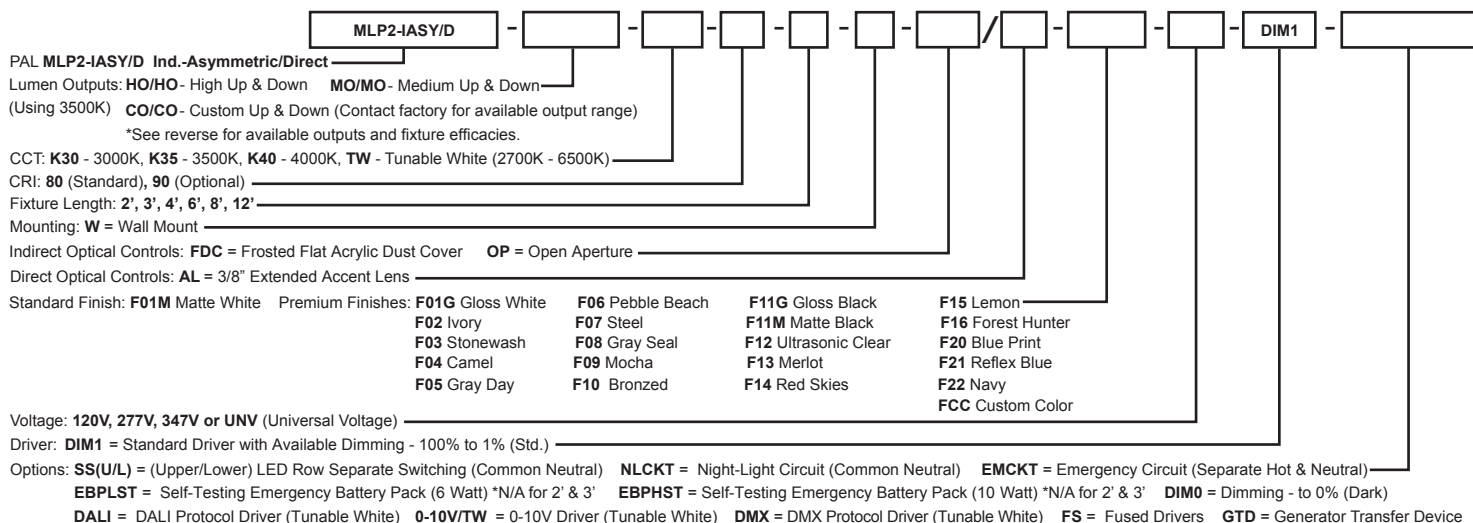
Controls

Contact factory for control by Occupancy Sensors, Photo Controls and Daylight Harvesting.

Certification

Fixtures are ETL listed for use in 'Dry or Damp Applications'. Conforms to UL Standard #1598 and to CAN/CSA Standard #C22.2No.250.0.

Sample Catalog Number: **MLP2-IASY/D - HO/HO - K40 - 80 - 4 - W - FDC / AL - F01M - 120 - DIM1 - OPTIONS**



Precision Architectural Lighting 4830 Timber Creek Drive Houston, Texas 77017
Tel 713.946.4343 Fax 713.946.4441 www.pal-lighting.com



Wall

MLP2-IASY/D-HO/HO-K35-FDCAL



High Output Up/High Output Down

Frosted Dust Cover Up / Accent Lens Down

Catalog Number: MLP2-IASY/D-HO/HO-K35-80-4'-X-FDC/AL-120

Report Number: #LLIA001329-001.ies

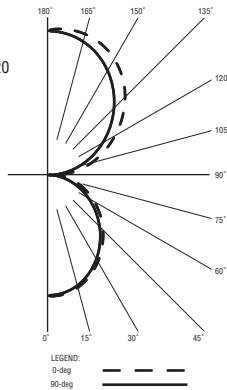
Luminaire Description: Extruded Aluminum Housing with White Aluminum Reflector, Frosted DC up and Extended Accent Lens down

LED Module: Multiple White Low-Power Light Emitting Diodes (LEDs) in a precise lay-out.

Total Luminaire Efficacy = 104.1 Lm/W

Color Rendering Index (CRI) = 84

56% Up 44% Down



ZONAL LUMEN SUMMARY

Zone	Lumens	%Fixture
0- 30	674	12.1
0- 40	1087	19.5
0- 60	1880	33.8
0- 90	2448	43.9
90- 180	3122	56.0
0- 180	5570	100.0

CANDELA DISTRIBUTION

	0.0	22.5	45.0	67.5	90.0
0	890	890	890	890	890
5	891	888	884	881	881
25	773	768	765	759	755
45	557	551	543	533	524
65	318	312	298	281	267
85	104	98	81	60	42
90	65	58	41	20	1
95	146	140	121	95	61
115	467	461	442	409	367
135	789	782	754	714	674
155	1016	1008	984	955	928
175	1081	1076	1068	1061	1055
180	1064	1064	1064	1064	1064

MLP2-IASY/D-HO/HO-K35-OPAL



High Output Up/High Output Down

Open Aperture Up / Accent Lens Down

Catalog Number: MLP2-IASY/D-HO/HO-K35-80-4'-X-OP/AL-120

Report Number: #LLIA001338-001.ies

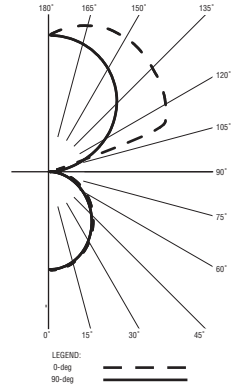
Luminaire Description: Extruded Aluminum Housing with White Aluminum Reflector, Open Aperture Up & Extended Accent Lens Down

LED Module: Multiple White Low-Power Light Emitting Diodes (LEDs) in a precise lay-out.

Total Luminaire Efficacy = 117.8 Lm/W

Color Rendering Index (CRI) =

61% Up 39% Down



ZONAL LUMEN SUMMARY

Zone	Lumens	%Fixture
0- 30	687	10.9
0- 40	1107	17.6
0- 60	1914	30.4
0- 90	2490	39.5
90- 180	3810	60.5
0- 180	6300	100.0

CANDELA DISTRIBUTION

	0.0	22.5	45.0	67.5	90.0
0	906	906	906	906	906
5	907	904	900	898	898
25	786	780	778	773	771
45	564	558	552	542	535
65	320	314	301	285	272
85	103	97	80	59	42
90	65	58	41	20	1
95	68	62	45	23	46
115	1184	1128	960	714	463
135	1349	1315	1217	1063	872
155	1429	1407	1341	1248	1141
175	1326	1318	1300	1278	1258
180	1267	1267	1267	1267	1267

MLP2-IASY/D-MOMO-K35-FDCAL



Medium Output Up/Medium Output Down

Frosted Dust Cover Up / Accent Lens Down

Catalog Number: MLP2-IASY/D-MO/MO-K35-80-4'-X-FDC/AL-120

Report Number: #LLIA001329-002.ies

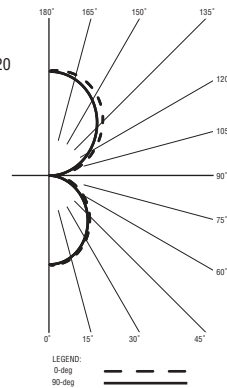
Luminaire Description: Extruded Aluminum Housing with White Aluminum Reflector, Frosted DC up and Extended Accent Lens down

LED Module: Multiple White Low-Power Light Emitting Diodes (LEDs) in a precise lay-out.

Total Luminaire Efficacy = 108.3 Lm/W

Color Rendering Index (CRI) = 84

56% Up 44% Down



ZONAL LUMEN SUMMARY

Zone	Lumens	%Fixture
0- 30	468	12.2
0- 40	755	19.8
0- 60	1306	34.2
0- 90	1701	44.5
90- 180	2123	55.5
0- 180	3823	100.0

CANDELA DISTRIBUTION

	0.0	22.5	45.0	67.5	90.0
0	619	619	619	619	619
5	620	618	615	613	613
25	539	535	532	528	525
45	388	384	378	371	364
65	221	217	207	196	186
85	72	68	56	41	29
90	44	40	28	13	0
95	80	78	70	58	41
115	298	296	287	272	249
135	518	515	501	480	459
155	679	676	662	647	632
175	734	732	727	723	719
180	725	725	725	725	725

MLP2-IASY/D-MOMO-K35-OPAL



Medium Output Up/Medium Output Down

Open Aperture Up / Accent Lens Down

Catalog Number: MLP2-IASY/D-MO/MO-K35-80-4'-X-OP/AL-120

Report Number: #LLIA001338-002.ies

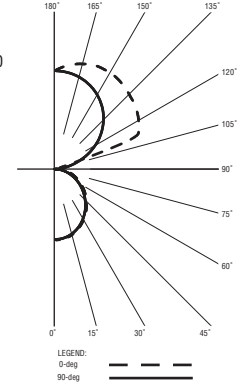
Luminaire Description: Extruded Aluminum Housing with White Aluminum Reflector, Open Aperture up and Extended Accent Lens down

LED Module: Multiple White Low-Power Light Emitting Diodes (LEDs) in a precise lay-out.

Total Luminaire Efficacy = 123.6 Lm/W

Color Rendering Index (CRI) = 84

61% Up 39% Down



*Contact factory for additional photometric information.

For more information, visit our website at www.pal-lighting.com



Precision Architectural Lighting 4830 Timber Creek Drive Houston, Texas 77017
Tel 713.946.4343 Fax 713.946.4441 www.pal-lighting.com



Made in America