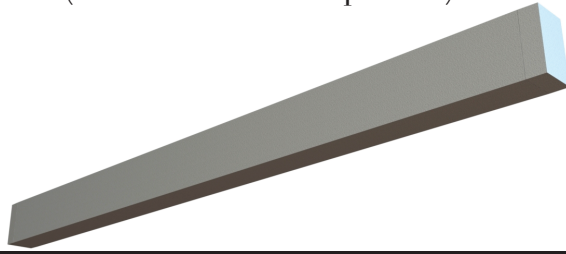


Microlinea™ Wall Mount Series 2 - Indirect - Asymmetric

(1 7/8" Luminous Aperture)



Catalog Number	Type
Project Name	

MLP2-IASY

2 13/16" X 3 1/2" Indirect-Asymmetric Wall Mount

ADA Compliant



S P E C I F I C A T I O N S

Housing

Two-piece construction comprised of .070" thick and .080" thick extruded aluminum. Die-cast aluminum end caps are secured with no visible fasteners. Standard lengths are nominal 2', 3', 4', 6', 8' and 12'. Provisions may be made for continuous rows of any length.

Finish

Standard and premium finishes are baked powder coat electrostatically applied (2.0 mil minimum thickness) to assure aesthetics and durability.

Indirect Optical Controls

(OP) Open Top - Asymmetric Distribution
(FDC) Lightly Frosted 100% extruded acrylic snap-in dust cover.

Reflector/Heat Sink

.040" thick die-formed aluminum finished with a high reflectance white enamel.

Circuitry

All fixtures are factory pre-wired for a single circuit. Provision for multiple switching/circuiting is optional.

Wiring

All fixtures intended for continuous rows are provided with factory installed quick-connect wiring.

Driver

Power supply is UL/CUL recognized, 0-10V dimming available, 120-277 universal voltage. 347V is available.

Light Engine

LED light source available for 3000K, 3500K, and 4000K CCT, in high and medium light outputs, and 80 or 90 CRI:

- HO** -High Output - Open Aperture
*944 Total Delivered Lms/Ft and 7 Watts/Ft
- HO** -High Output - Frosted Dust Cover
*799 Total Delivered Lms/Ft and 7 Watts/Ft
- MO** -Medium Output - Open Aperture
*644 Total Delivered Lms/Ft and 4.75 Watts/Ft
- MO** -Medium Output - Frosted Dust Cover
*545 Total Delivered Lms/Ft and 4.75 Watts/Ft
- CO** -Custom Output - 1570 Lms/Ft - MAX. (Contact factory)

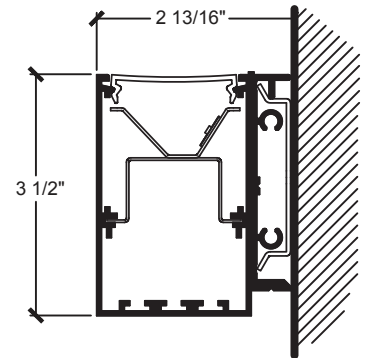
* Due to continued advancement in LED technology, lumen performance is subject to change. Please visit our website for the most up-to-date information.

Integral Controls

Contact factory for daylight and/or occupancy sensor controls.

Certification

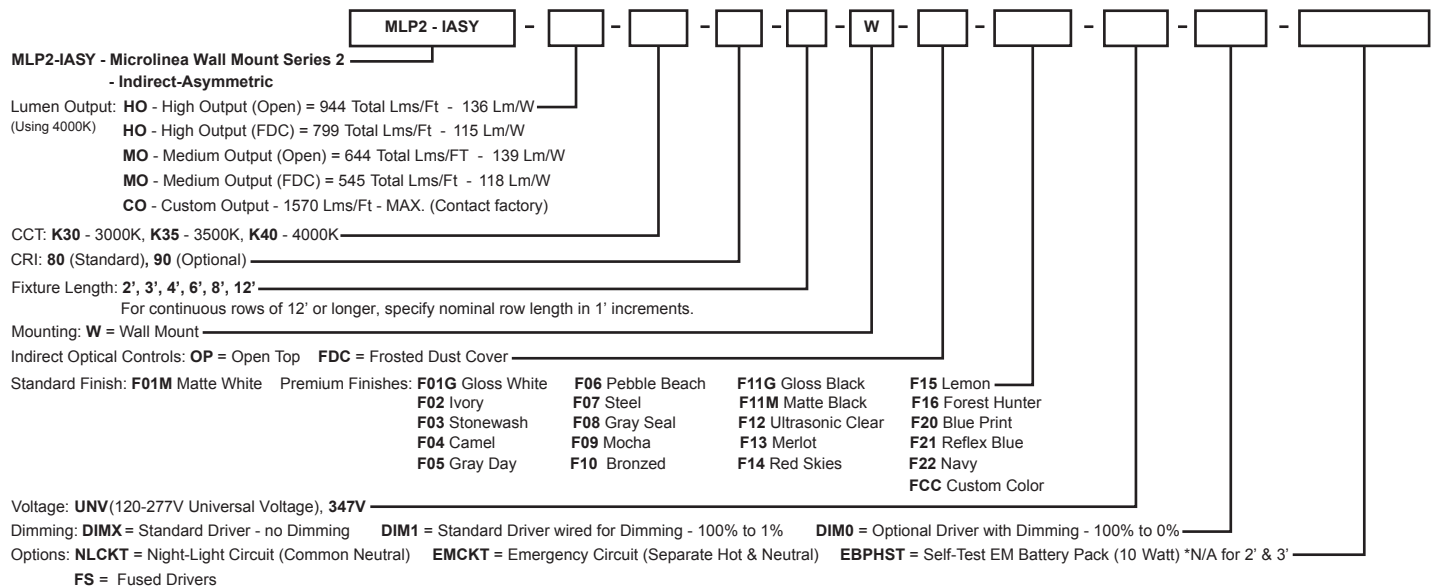
Fixtures are ETL listed for use in 'Dry or Damp Applications.' Conforms to UL Standard #1598 and to CAN/CSA #C22.2No.250.0.



MLP2 - IASY Indirect-Asymmetric

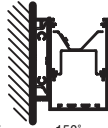
Shown with optional Frosted Dust Cover

Sample Catalog Number: **MLP2 - IASY - HO - K40 - 80 - 4 - W - OP - F01M - UNV - DIM1 - OPTIONS**



Wall

MLP2-IASY-HO-K40-OP



High Output - Indirect Asymmetric

Open Aperture

Catalog Number: MLP2-IASY-HO-K40-80-4'-X-OP-UNV

Report Number: #LLIA001084-009.ies

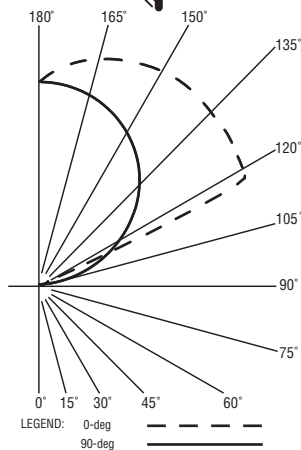
Luminaire Description: Extruded Aluminum Housing with White Aluminum Reflector and Open Aperture.

LED Module: Multiple White Low-Power Light Emitting Diodes (LEDs) in a precise layout.

Total Luminaire Efficacy = 135.9 Lm/W

100% Up 0% Down

Color Rendering Index (CRI) = 83



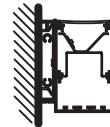
ZONAL LUMEN SUMMARY

Zone	Lumens	%Fixture
180- 150	968	25.6
180- 140	1592	42.1
180- 120	2987	79.1
180- 90	3777	100.0
90- 0	0	0.0
180- 0	3777	100.0

CANDELA DISTRIBUTION

	0.0	22.5	45.0	67.5	90.0
90	0	0	0	0	0
95	17	16	14	15	57
105	44	44	39	612	258
115	518	1264	1134	818	480
125	1477	1419	1242	986	690
135	1510	1468	1346	1119	876
145	1536	1506	1397	1223	1026
155	1512	1491	1417	1289	1138
165	1452	1440	1397	1310	1215
175	1347	1341	1327	1286	1253
180	1262	1262	1262	1262	1262

MLP2-IASY-HO-K40-FDC



High Output - Indirect Asymmetric

Lightly Frosted Dust Cover

Catalog Number: MLP2-IASY-HO-K40-80-4'-X-FDC-UNV

Report Number: #LLIA001116-001.ies

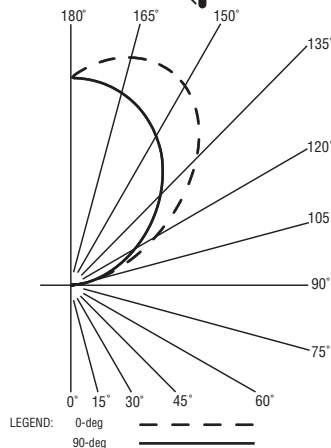
Luminaire Description: Extruded Aluminum Housing with White Aluminum Reflector and Lightly Frosted Acrylic Dust Cover.

LED Module: Multiple White Low-Power Light Emitting Diodes (LEDs) in a precise layout.

Total Luminaire Efficacy = 114.6 Lm/W

100% Up 0% Down

Color Rendering Index (CRI) = 83



ZONAL LUMEN SUMMARY

Zone	Lumens	%Fixture
180- 150	976	30.5
180- 140	1576	49.3
180- 120	2653	83.0
180- 90	3196	100.0
90- 0	0	0.0
180- 0	3196	100.0

CANDELA DISTRIBUTION

	0.0	22.5	45.0	67.5	90.0
90	0	0	0	0	0
95	20	24	34	42	35
105	186	195	210	202	167
115	437	446	452	420	344
125	749	753	738	670	548
135	1074	1064	1023	916	761
145	1323	1302	1236	1119	960
155	1446	1422	1354	1245	1112
165	1448	1430	1378	1303	1215
175	1357	1348	1326	1297	1267
180	1278	1278	1278	1278	1278

For more information, visit our website at www.pal-lighting.com



Precision Architectural Lighting 4830 Timber Creek Drive Houston, Texas 77017
Tel 713.946.4343 Fax 713.946.4441 www.pal-lighting.com



Made in America