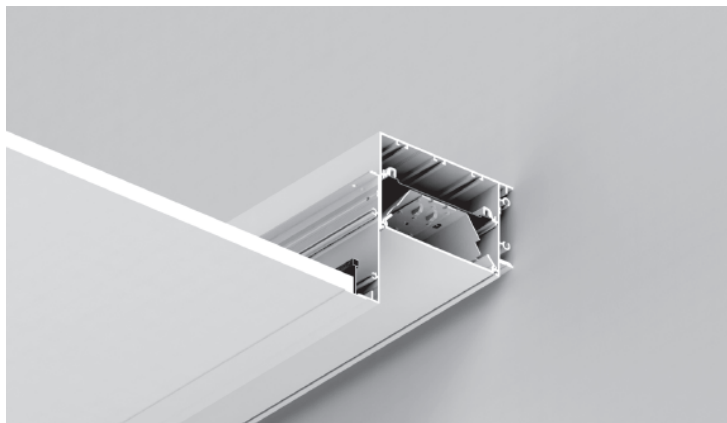


Perimeter System 5 - Ambient Light Distribution

(5-27/32" Luminous Aperture with 2-15/16" Regress)



S P E C I F I C A T I O N S

Housing

.090" thick extruded aluminum housing with .070" thick front shield available in single sections up to 8' long. Standard finish for flange is satin white.

Optical Controls

(LOH) LED optimized high transmittance acrylic snap-in lens.

Reflector/Heat Sink

.040" thick extruded aluminum finished with a high reflectance white enamel.

Wiring

All fixtures intended for continuous rows are provided with factory installed quick-connect wiring.

Circuitry

All fixtures are factory pre-wired for a single circuit. Provision for multiple switching/circuiting is optional.

Driver

Osram-Sylvania "Optotronic" power supply is UL/CUL recognized, 0-10V dimming available, 120-277 universal voltage. 347V is available. Optional drivers available - consult factory.

Light Engine

LED light source available for 3000K, 3500K, or 4000K CCT, in high and medium light outputs, and 80 or 90 CRI. Standard outputs at 80 CRI:

HO - High Output

*3504 Total Del'd Lms. at 32 System Watts

MO - Medium Output

*2055 Total Del'd Lms. at 18 System Watts

CO - Custom Output

(Contact factory for Output Range)

(*All values per 4' using 3500K LED modules)

Certification

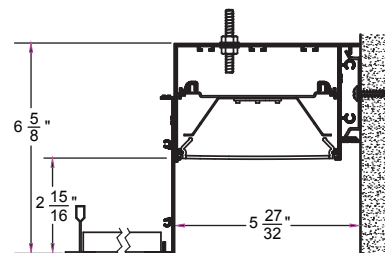
Fixtures are ETL listed for use in 'Dry or Damp Applications'. Conforms to UL Standard #1598 and to CAN/CSA #C22.2No.250.0.

Controls

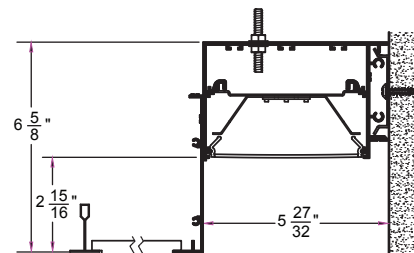
Contact factory for information on remote mounted daylight and/or occupancy sensor controls.

*Due to continued advancement in LED technology, lumen performance is subject to change. Please visit our website for the most up-to-date information.

Grid Ceilings

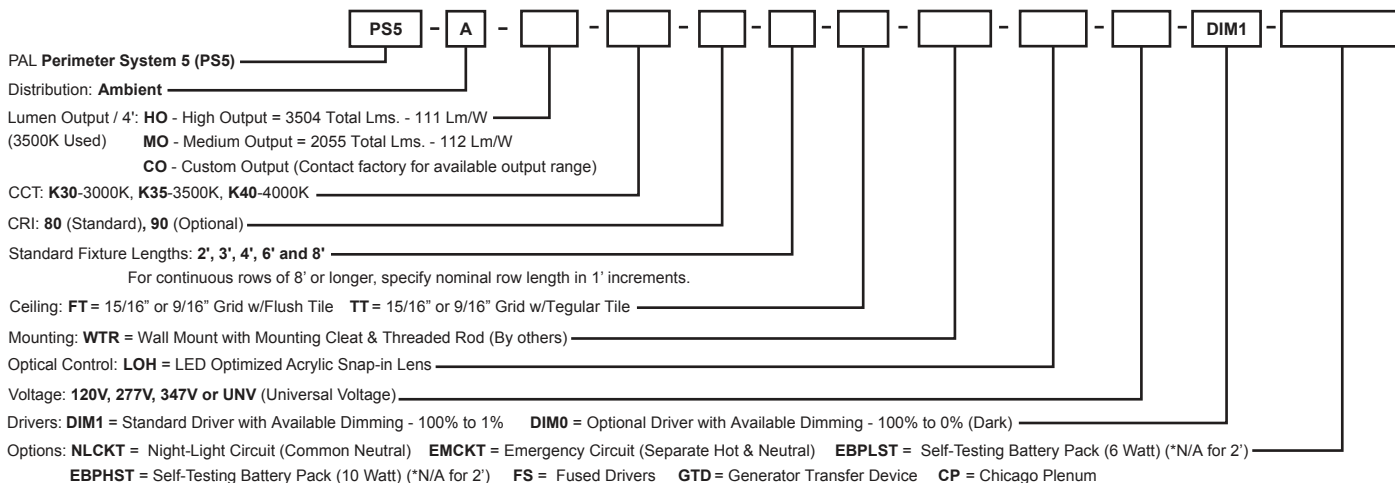


PS5-A-HO-FT
PS5-A-MO-FT
Flush Tile



PS5-A-HO-TT
PS5-A-MO-TT
Tegular Tile

Sample Catalog Number: **PS5 - A - HO - K40 - 80 - 4 - FT - WTR - LOH - 120 - DIM1 - OPTIONS**



Recessed Perimeter - Ambient

PS5-A-HO-K35-LOH

High Output - Ambient Distribution

LED Optimized High Transmittance Lens

Catalog Number: PS5-A-HO-K35-80-4'-X-LOH-120

Report Number: #LLIA001329-009.ies

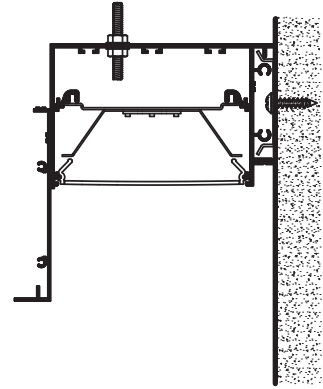
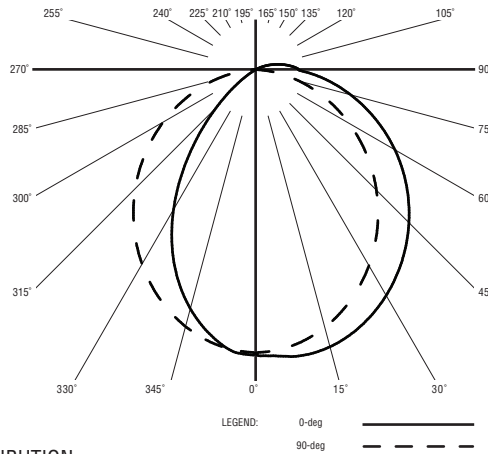
Luminaire Description: Extruded Aluminum Housing with White Aluminum Reflector, and LOH Acrylic Lens.

LED Module: Multiple White Low-Power Light Emitting Diodes (LEDs) in a precise layout.

Total Luminaire Efficacy = 110.6 Lm/W

2% Up 98% Down

Color Rendering Index (CRI) = 84



ZONAL LUMEN SUMMARY

Zone	Lumens	%Fixture
0- 30	1039	29.7
0- 40	1649	47.1
0- 60	2716	77.5
0- 90	3416	97.5
90- 180	88	2.5
0- 180	3504	100.0

CANDELA DISTRIBUTION

	0.0	22.5	45.0	67.5	90.0
0	1391	1391	1391	1391	1391
5	1409	1401	1389	1381	1376
15	1406	1394	1368	1330	1308
25	1333	1318	1281	1234	1186
35	1214	1195	1149	1090	1024
45	1062	1040	987	918	836
55	884	862	807	729	634
65	687	667	614	534	426
75	484	465	414	342	225
85	289	274	227	154	44
90	210	195	146	73	0

PS5-A-MO-K35-LOH

Medium Output - Ambient Distribution

LED Optimized High Transmittance Lens

Catalog Number: PS5-A-MO-K35-4'-X-LOH-120

Report Number: #LLIA001329-010.ies

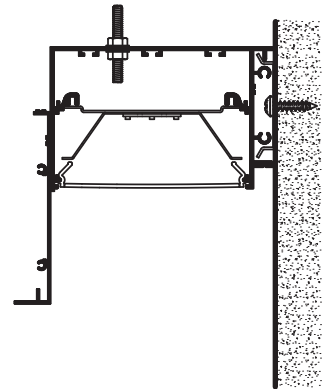
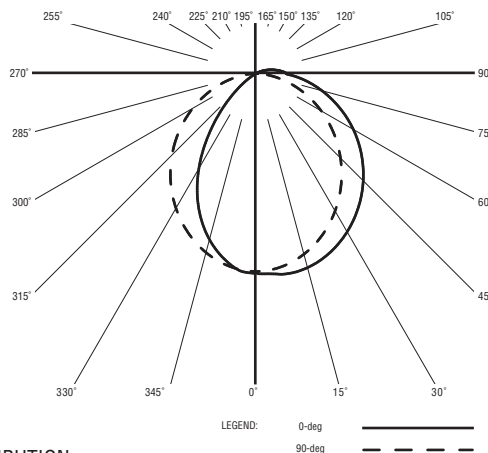
Luminaire Description: Extruded Aluminum Housing with White Aluminum Reflector, and LOH Acrylic Lens.

LED Module: Multiple White Low-Power Light Emitting Diodes (LEDs) in a precise layout.

Total Luminaire Efficacy = 112.4 Lm/W

2% Up 98% Down

Color Rendering Index (CRI) = 84



ZONAL LUMEN SUMMARY

Zone	Lumens	%Fixture
0- 30	609	29.6
0- 40	967	47.1
0- 60	1592	77.5
0- 90	2003	97.5
90- 180	52	2.5
0- 180	2055	100.0

CANDELA DISTRIBUTION

	0.0	22.5	45.0	67.5	90.0
0	815	815	815	815	815
5	826	821	814	809	807
15	824	817	802	780	767
25	781	772	751	723	695
35	711	700	673	639	600
45	622	610	578	538	490
55	518	505	472	427	371
65	403	391	360	313	250
75	284	273	243	200	132
85	169	160	133	90	26
90	123	114	86	43	0

For more information, visit our website at www.pal-lighting.com



Precision Architectural Lighting 4830 Timber Creek Drive Houston, Texas 77017
Tel 713.946.4343 Fax 713.946.4441 www.pal-lighting.com



Made in America