

Catalog Number	Type
Project Name	

Perimeter System 5-Lit Corners - Ambient Distribution

Lighted Horizontal 90 Degree Corner - All Ceiling Types

S P E C I F I C A T I O N S

Housing
.090" thick extruded aluminum main housing and a .070" thick front shield, mitered and secured together to form a nominal 2' X 2' continuously lit 90° corner.

Optical Controls
(Lenses mitered to provide a continuous transition through the corner.)
(LOH) LED optimized high transmittance acrylic snap-in lens.

Reflector/Heat Sink
.040" thick extruded aluminum finished with a high reflectance white enamel.

Circuitry
All corner assemblies are factory pre-wired for a single circuit.

Wiring
All corner assemblies are provided with factory installed quick-connect wiring.

Driver
Osram-Sylvania "Optotronic" power supply is UL/CUL recognized, 0-10V dimming available, 120-277 universal voltage. 347V is available. Optional drivers available - consult factory.

Light Engine
LED light source available standard for 3000K, 3500K and 4000K CCT, in high and medium light outputs, and 80 or 90 CRI. Standard outputs available:
HO - High Output*
MO - Medium Output*
CO - Custom Output*

*See fixture specification sheets for Delivered Lumens, Power Consumption (Watts), and Efficacies (Lm/W).

Certification
All corner assemblies are ETL listed for use in 'Dry or Damp' Applications. Conforms to UL Standard #1598 and to CAN/CSA #C22.2No.250.0.

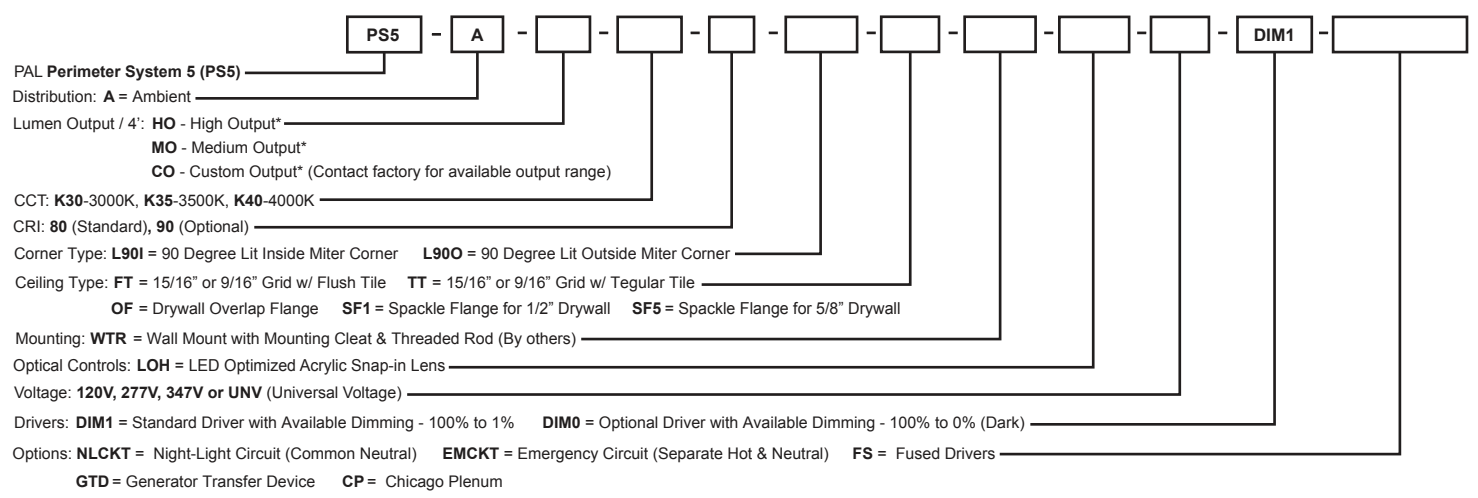


Horizontal extruded aluminum 90° corners are available for use when fixture patterns are desired. PS5 corners are available in nominal 2' X 2' long continuously lit configurations.

See reverse for dimensions.

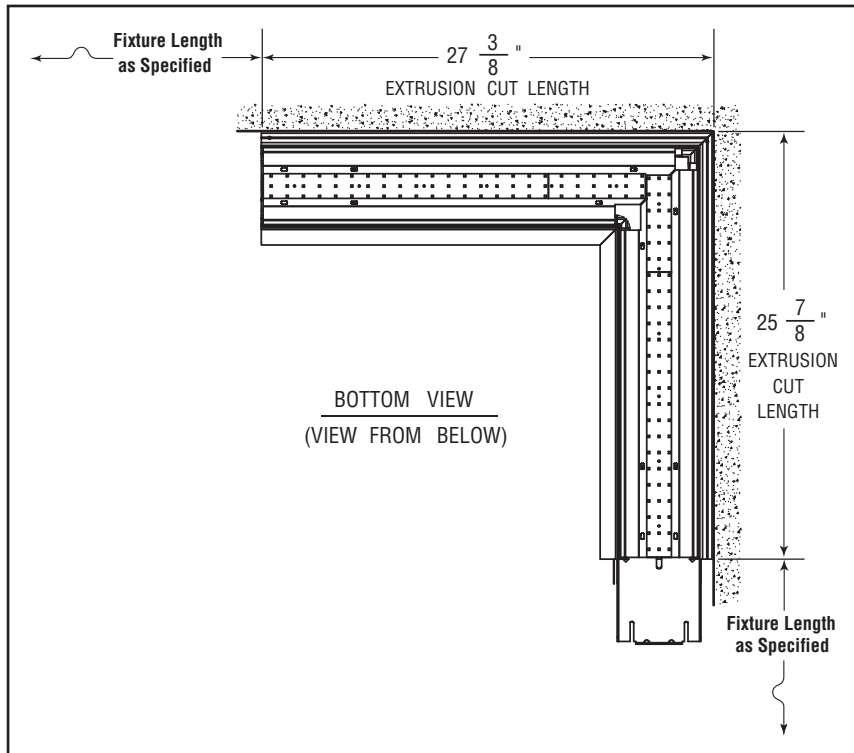
**Due to continued advancement in LED technology, lumen performance is subject to change. Please visit our website for the most up-to-date information.

Sample Catalog Number: **PS5 - A - HO - K40 - 80 - L90I - FT - WTR - LOH - 120 - DIM1 - OPTIONS**



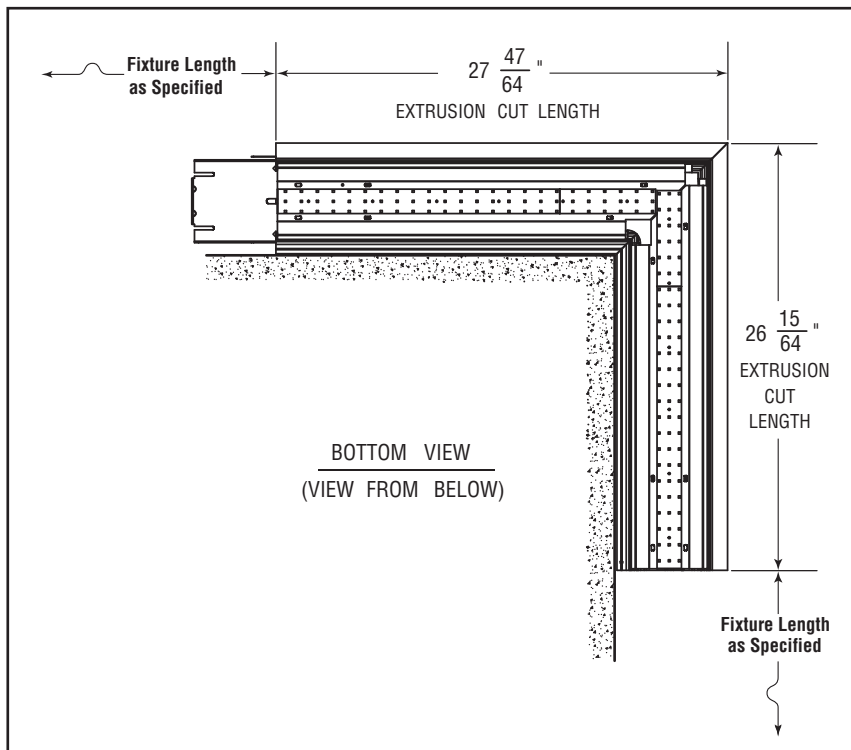
Perimeter System 5 - All Ceiling Types

Lighted Horizontal Corner - Inside Miter



Lighted Inside Miter Horizontal Corner - Grid and Hard Ceiling Mountings
Medium or High Output LED (Contact Factory for Custom Outputs)

Lighted Horizontal Corner - Outside Miter



Lighted Outside Miter Horizontal Corner - Grid and Hard Ceiling Mountings
Medium or High Output LED (Contact Factory for Custom Outputs)

Consult Factory for exact luminaire placement.

