

JOB NAME _____

CONTACT _____

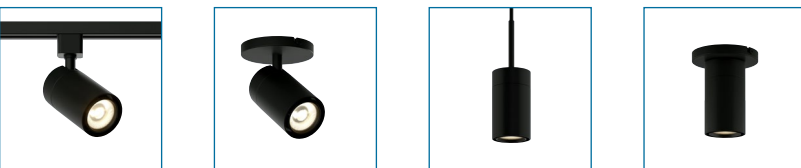
ORDERING CODE _____

ORDERING CODE

PART NUMBER	350440	
DELIVERED LUMENS	13LM	1375 lm <small>Calculated Delivered Lumens = [Delivered Lumen Value] x [CCT Multiplier]</small>
CCT & LM MULTIPLIER	27K	2700K (0.98)
	30K	3000K (1.00)
	35K	3500K (1.02)
	40K	4000K (1.03)
CRI	90	90 CRI
OPTICS	20	20° (0.96)
	38	38° (0.98)
	50	50° (1.00)
VOLTAGE	120	120V
DIMMING	ELV	leading and trailing edge (Triac/ELV) dimming to 5%
FINISH	WH	white
	BK	black
MOUNTING OPTION	SMBK	surface mount, black
	SMWH	surface mount, white
	PBK	pendant, black
	PWH	pendant, white
	MPBK	monopoint with field cuttable stem, black
	MPWH	monopoint with field cuttable stem, white
	ECOBK	ECO/HALO black
	ECOWH	ECO/HALO white
	ECOPWH	ECO pendant, white
	ECOPBK	ECO pendant, black
	JUNOBK	JUNO, black
	JUNOWH	JUNO, white
	LGTRBK	LIGHTOLIER, black
	LGTRWH	LIGHTOLIER, white
	GEOPWH	GEO pendant, white
	GEOPBK	GEO pendant, black
	<small>Mounting finish must match fixture finish.</small>	
ACCESSORIES	See page 3 for details.	

GX15

Cylinder Fixture Multi-Mount



DESCRIPTION

GX15 is a cylinder fixture with multiple mounting applications with 1375 lm at 90+ CRI. The GX15 can be specified as a track spot, canopy spot, surface mount cylinder or a pendant. It features optional lens and glare reduction accessories. It is offered in black or white matte finish.

HOUSING

Extruded aluminum housing with black or white finish.

MOUNTING

- ECO track / HALO® Power Trac Track, Juno® track, and Lightolier®
- Monopoint with field cuttable stem
- Surface mount or field adjustable flexible cord pendant mounting option
- ECO pendant or GEO pendant mounting option

ELECTRICAL/CONTROLS

- 120Vac, 50-60Hz input, 15W
- Phase dimmable
- Leading and trailing edge (Triac/ELV) dimming to 5%
- 350° rotation, 90° tilt

LED INFO

- LED: Cree Xlamp® CXA1512
- SDCM: 3-step MacAdam Ellipse
- Lumen Maintenance: L₇₀ > 60,500 hrs

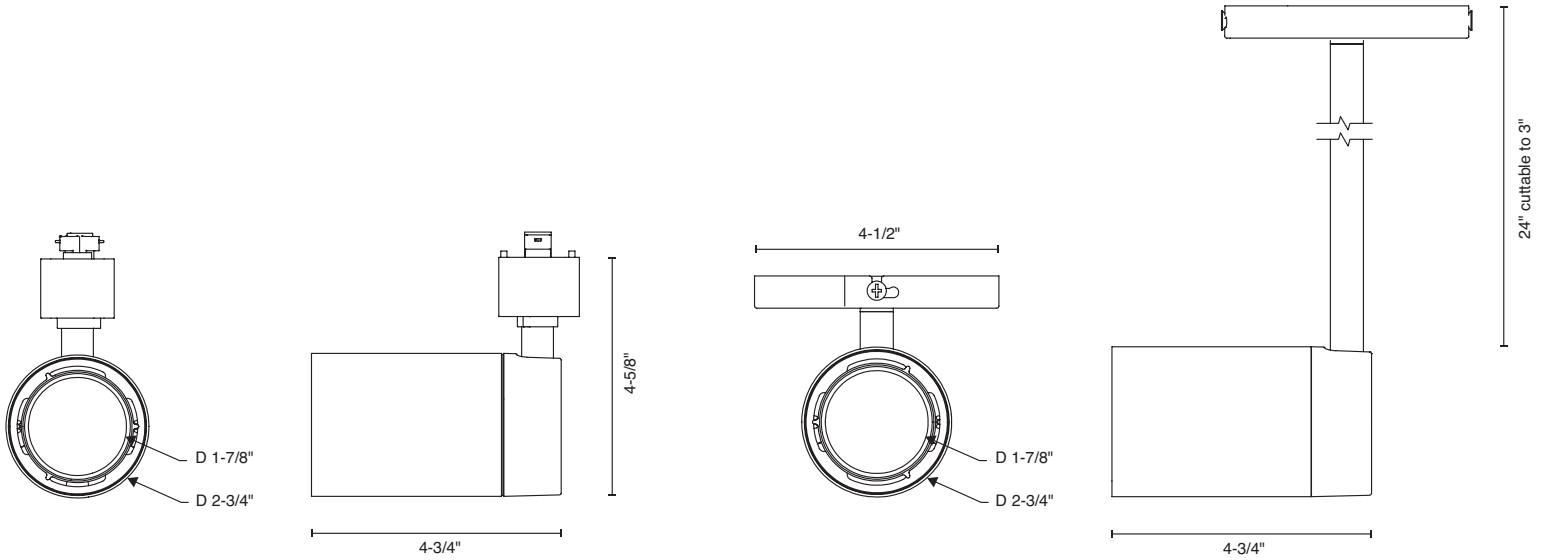
LISTINGS

- ETLus Listed to UL1574 (track suitable for dry locations only)
- cETL Listed to CSA C22.2 #9.0

ORDERING CODE

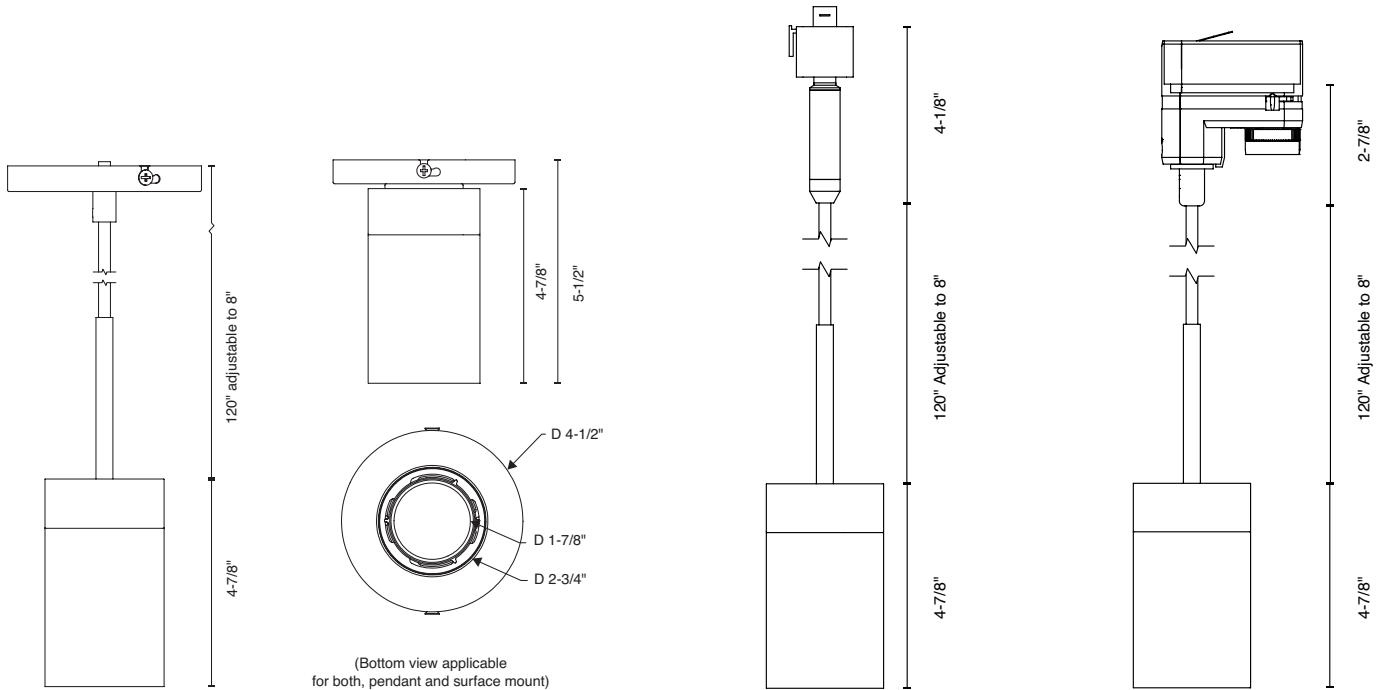
Follow the steps to specify your fixture, example:
350440 - 13LM - 30K - 90 - 38 - 120 - ELV - WH - ECOWH

MOUNTING OPTIONS



**ECO/HALO®/JUNO®/LIGHTOLIER®
MOUNT**

**MONOPOINT
MOUNT**



**PENDANT
MOUNT**

**SURFACE
MOUNT**

**ECO
PENDANT**

**GEO
PENDANT**

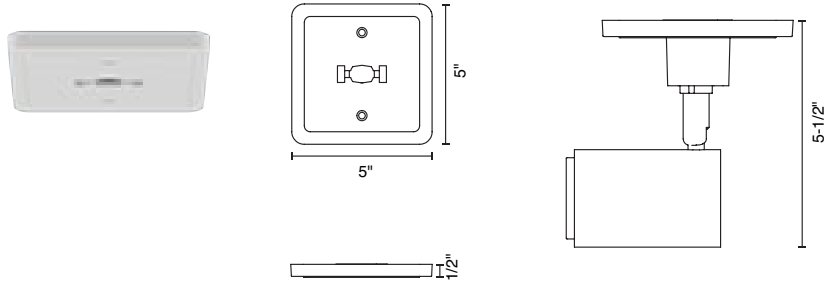
ACCESSORIES

Follow the steps to specify your fixture, example:
350440 - 13LM - 30K - 90 - 38 - 120 - ELV - WH - ECOWH - 350440/SNOOTBK

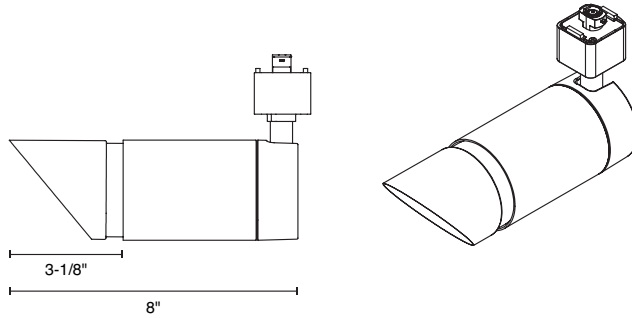
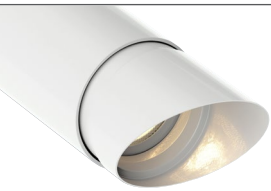
Accessories

- 350440/SNOOTBK snoot, black
- 350440/SNOOTWH snoot, white
- 350440/HCLBK honeycomb louver, black
- 350440/HCLWH honeycomb louver, white
- 350440/BDBK barn doors, black
- 350440/BDWH barn doors, white
- 350440/SHNTBK shroud snoot, black
- 350440/SHNTWH shroud snoot, white
- K20272/ECOMPBK ECO canopy, black
- K20272/ECOMPWH ECO canopy, white

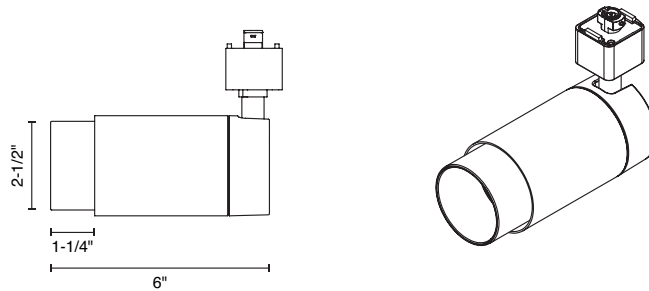
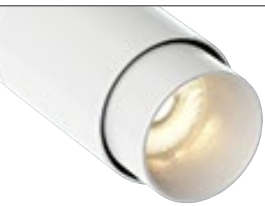
ECO CANOPY ACCESSORIES



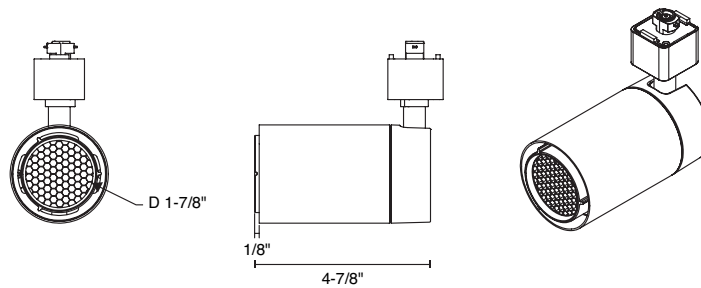
SHROUD SNOOT



SNOOT



HONEYCOMB LOUVER



BARN DOORS

