

Job Name:

Contact:

Ordering Code:

Fixture Type:

AIRbar T-Bar Mount 1.0

Description

The AIRbar T-Bar Mount 1.0 luminaire with Suspended Ceiling Ribbon Cable Connector allows for easy integration into drop ceiling T-Bar grid applications, and allows for ultimate flexibility for all lighting projects. Its ultra slim profile at 5mm thick and lightweight housing directly attaches to the T-Bar grid with integrated magnets. Capable of 770 lumens/foot @ 125 lumens per watt efficacy, the AIRbar can be installed individually or linked continuously. A truly sustainable light source comprised of ceramic and aluminum, the AIRbar uses 50x fewer raw materials than conventional light sources (measured by weight of fixtures in a typical installation).

Housing

- 1" (nominal) wide housing delivers 770 lumens per foot
- 24" L x 0.94" W x 0.2" H
- 0.7oz per foot (66g/m)
- The ceramic light emitting surface acts as the heatsink and circuit board for the chip scale package LEDs
- The light weight aluminum housing reflects the LED light back out through the ceramic

Mounting

- 15/16 T-bar applications
- Magnetically attaches directly to steel T-bar Grid using powerful magnets
- Ribbon Cable Connector easily fits between ceiling tiles and T-Bar
- Seismic U-Clip included (mechanically secures Ribbon Cable to T-Bar)

Electrical

- 6.2W per foot, 24.7Vdc Constant Voltage input
- Remote Class 2 Power Supply required (refer to Power Supply section)
- Maximum 15 foot run with one 100W power supply
- Unlimited run lengths using multiple power supplies
- Dimmable to less than 1% (refer to Control Accessories section)
- Interconnection/Cabling (supplied by others): Plenum Rated 2-18 AWG Stranded with Flame Resistant Insulation. Example: BELDEN # 6300UE
- Integrated thermal feedback protection prevents overheating under abnormal power conditions

Listings

- cULus Listed to UL2108
- Rated both Type IC & non-IC
- Suitable for dry and damp locations
- Operating environment: -10°F to 115°F / -23°C to 46°C
- Certified to be the first, and only, lighting product to obtain an **LBC Red List Free** Declare label with the International Living Future Institute's (ILFI) Living Building Challenge.

| Delivered Lumens Per Foot | CCT |
|---------------------------|-------|
| 770 | 4000K |
| 755 | 3500K |
| 755 | 3000K |
| 691 | 2700K |

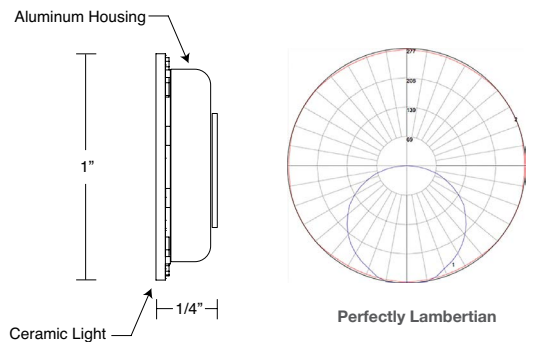


Ordering Codes

Follow the steps to specify your fixture, example: **120 - TB - 10 - 24 - 40K - 80**

| Part Number | Mounting | Width | Length | CCT | CRI |
|-------------|----------|----------------------|-------------|--|-----------------------|
| 120 AIRbar | TB T-Bar | 10 1" wide (nominal) | 24 24" Long | 27K 2700K 30K 3000K 35K 3500K 40K 4000K | 80 80CRI 90' 90CRI |

Notes
 1. 90 CRI is ONLY available in 2700K and 3000K.



Job Name:

Contact:

Ordering Code:

Fixture Type:

LED Performance

| | |
|-------------------------------|--|
| LED | Samsung chip scale package (LM101A series) |
| SDCM | 3 Step MacAdam Ellipse |
| CCT | 2700K, 3000K, 3500K, 4000K |
| CRI Ra | 82-84 typical (consult factory for 90CRI lead time) |
| Efficacy | 124 lumens/Watt (4000K) |
| Light Emitting Surface | Reaches 45°C in a 25°C environment at 24.7Vdc input. |
| Life | L70 > 54,000hrs |
| Warranty | 5 year limited fixture warranty |

Power Supplies

(factory-set to 24.1Vdc output)

| | |
|-----------------------|--|
| P70495-100-241 | 96W/24.1V adjustable Power Supply (Meanwell HLG-100H-24A) with ETL Listed Enclosure / Operates 0 to 15 Linear Feet |
| P70495-80-241 | 80W/24.1V adjustable Power Supply (Meanwell HLG-80H-24A) with ETL Listed Enclosure / Operates 0 to 12 Linear Feet |
| P70495-60-241 | 60W/24.1V adjustable Power Supply (Meanwell HLG-60H-24A) with ETL Listed Enclosure / Operates 0 to 9 Linear Feet |
| P70495-40-241 | 40W/24.1V adjustable Power Supply (Meanwell HLG-40H-24A) with ETL Listed Enclosure / Operates 0 to 6 Linear Feet |

Control Accessories

ILLUMRA™ Constant Voltage LED Dimming Controllers deliver 65,000 PWM dimming steps to provide ultra smooth dimming performance through all light levels. Pair these controllers with either hardwired 0-10V dimming systems or Illumra's wireless Rocker Switches. These Controllers must be wired between the output of the Power Supply and the input of the LED Luminaire, so no auxiliary power source is required.

p/n: 70496-001 ILLUMRA™ (hardwired) 0-10V Controller NWO-D02FP-C01
 Use this controller to support 0-10V dimming. Compatible with industry standard 0-10V dimmers (Leviton IP710-DLX or similar). Use one controller per Power Supply.

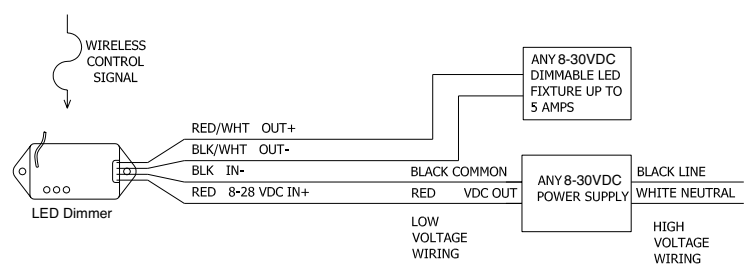
p/n: 70496-002 ILLUMRA™ Wireless Controller E9X-D02FL
 Use this controller to support wireless dimming. Compatible with Illumra's Wireless Rocker Switches using EnOcean technology. Use one controller per Power Supply.



ILLUMRA™ self-powered Rocker Switches use no wires or batteries. Pressing the switch creates the energy to transmit a wireless signal that controls lights or other devices connected to EnOcean receivers. One Rocker Switch may be paired with one or more Controllers, or multiple Rocker Switches (up to 25) may be paired with one Controller. 50-150 foot range (typical) using 902MHz.

p/n: 70497-001WH ILLUMRA™ Wireless Single Rocker Switch (WHITE) E9T-S1AWH
 Use this Rocker Switch for ON/OFF/Dimming (100% to <1%) control. Compatible with Illumra's Wireless Controllers.

p/n: 70497-002WH ILLUMRA™ Wireless Dual Rocker Switch (WHITE) E9T-S2AWH
 Use this Rocker Switch for ON/OFF/Dimming (100% to <1%) control of two lights or two groups of lights. Compatible with Illumra's Wireless Controllers.



Job Name:

Contact:

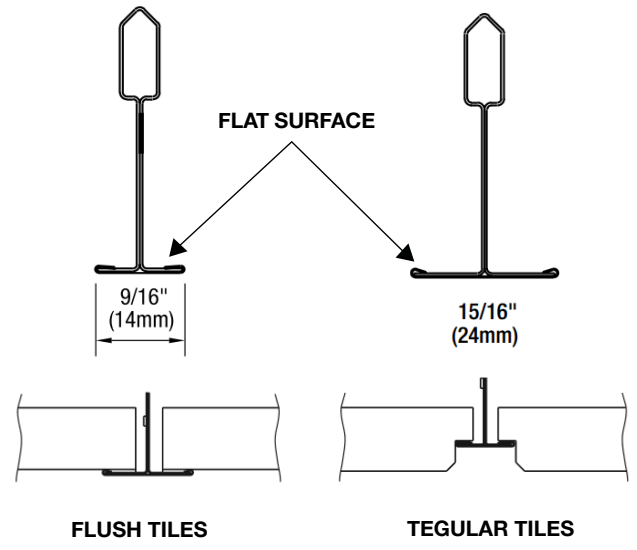
Ordering Code:

Fixture Type:

T-Bar/Suspended Ceiling Compatibility

AIRbar T-Bar Mount 1.0 is compatible with Main Beam and Cross Tee types:

- ✓ 15/16" galvanized steel (with a flat mounting surface)
 - Installed with Flush or Tegular Tiles
- ✓ 9/16" galvanized steel (with a "flat" mounting surface)
 - Installed with Flush Tiles

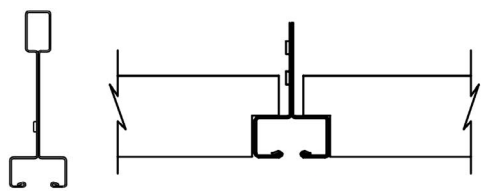
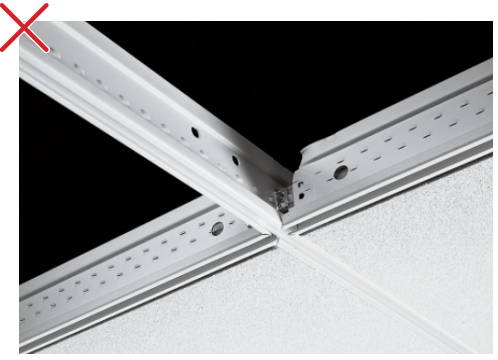


T-Bar/Suspended Ceiling NON-Compatibility

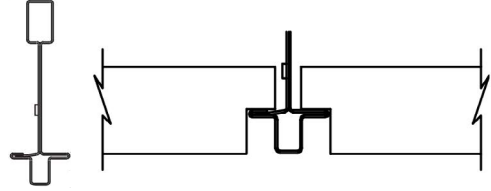
AIRbar T-Bar Mount 1.0 NOT compatible with Main Beam and Cross Tee sections made of:

- ✗ Aluminum
- ✗ Stainless Steel

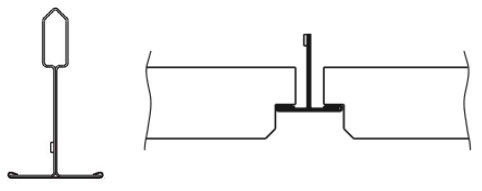
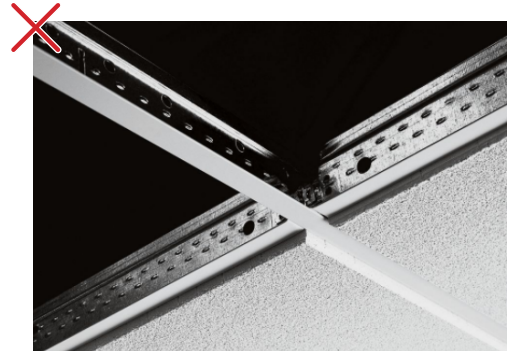
NOT compatible with Profile types:



✗ Bolt-Slot / Reveal



✗ NON-Flat Tee



✗ 9/16" Tee with Tegular Ceiling Tiles