

Catalog Number:

Job Name:

Type:

Linear LED High Performance Indoor Cove Luminaire



Description

LumenSense high performance cove luminaires offer a high efficacy alternative to traditional fixtures, with multiple color temperatures.

Its small profile, adjustable base and continuous run connectors make it easy to install in a variety of applications.

Features

- Up to 1100+ lumens per foot
- Proprietary optical technology
- Up to 100+ lumens per watt
- ELV dimming, 0-10V dimming
- Proprietary adjustable mounting bracket
- Small profile fixture
- Continuous run capability
- RGB+W options available

Applications

- Facade wall washing
- Shopping mall / recreational facility
- Bridge / linear structure
- Signage

Listing

ETL listed for damp location

Warranty

5-year limited warranty



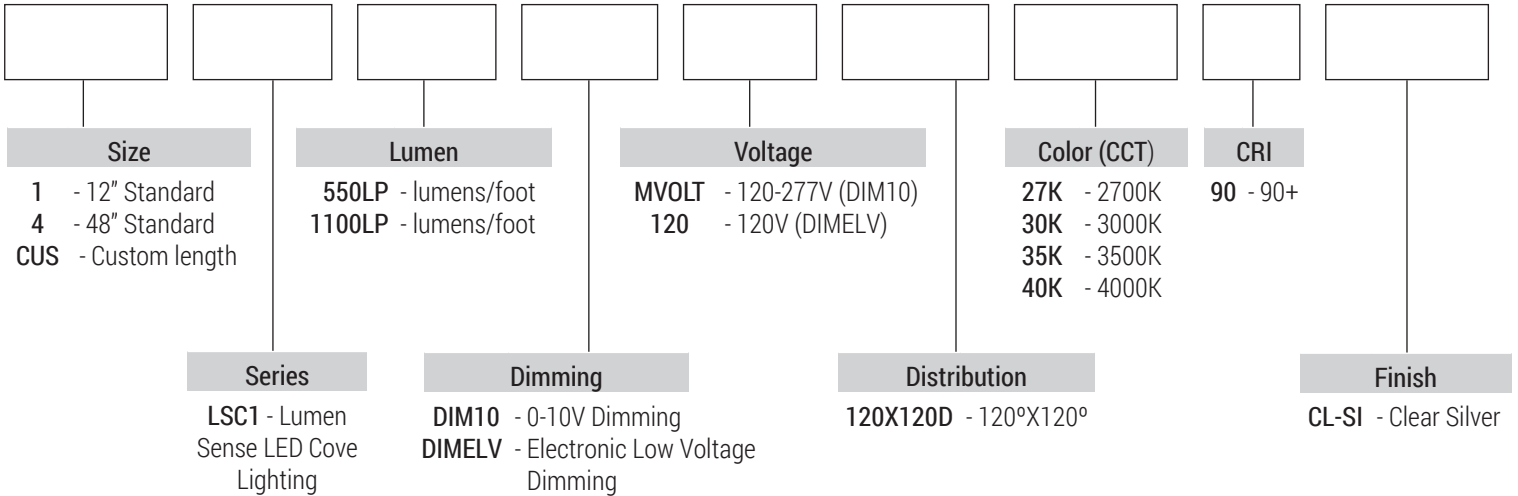
Performance	CCT (K)	Optics	Lumen Output	Efficacy (lm/w)
	2700K	120° X 120°	1076 lm/lf	91.9 lm/w
	3000K	120° X 120°	1081 lm/lf	92.4 lm/w
	3500K	120° X 120°	1105 lm/lf	94.4 lm/w
	4000K	120° X 120°	1130 lm/lf	96.6 lm/w
Power Consumption	Typical Wattage: 11.7W (1ft) / 45.2W (4ft) <small>(Typical input power range allows for a +/- 10% variation of all components)*</small>		Maximum Wattage: 12.7W (1ft) / 48.9W (4ft) <small>(All fixtures are labeled with maximum wattage)</small>	
Operating Voltage	120VAC (ELV), 100-277VAC (0-10V Dimming) 50/60 Hz			
Driver	Integral to fixture			
Startup Temperature	14°F to 104°F (-10°C to 40°C)			
Operating Temperature	14°F to 104°F (-10°C to 40°C)			
Storage Temperature	-40°F to 176°F (-40°C to 80°C)			
Dimming	ELV(5% dimming), DIM10 (0-10V Dimming 10% dimming)			
Dimension	With Mounting Bracket: W 2.0" x H 1.8" x L12"/48" <small>(50.80mm x 45.72mm x 305mm/1219mm)</small>		Without Mounting Bracket: W 1.4" x H 1.4" x L12"/48" <small>(35.60mm x 35.60mm x 305mm/1219mm)</small>	
Housing	Advanced thermal regulating aluminum design			
Lens	Clear polycarbonate enhanced with OFD technology			
Environment	Indoor: Certified Dry / Damp Location			
Distribution	120° x 120°			
Mounting Options	Proprietary Adjustable: 80° + 80°			
Max Run	Maximum run per leader cable: 50ft			

Linear LED High Performance Indoor Cove Luminaire

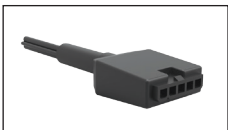
Ordering Guide

(Choose the option that best suits your need and write its corresponding part number on the appropriate box to form the complete part number)

Example: **1-LSC1-550LP-DIMELV-120-120X120D-30K-90-CL-SI**



WIRING OPTIONS



Leader Cable (LC)

Leader Cable (Live End Wiring)

LS-HW-DIM10	5-pin leader cable, 10ft
LS-HW-DIMELV	3-pin leader cable, 10ft



Jumper Cable (JC)

Jumper Cable

LS-COUP-DIM10	5-pin jumper cable, 1ft
LS-COUP-DIMELV	3-pin jumper cable, 1ft

TERMINATOR

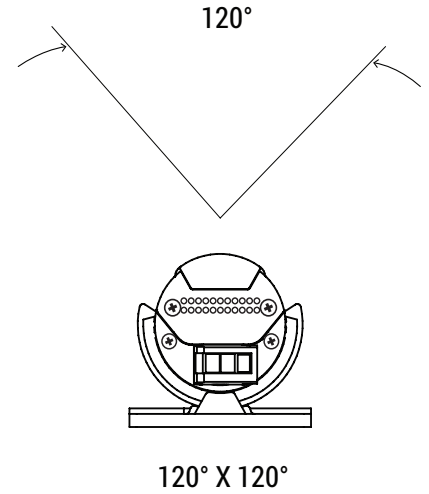
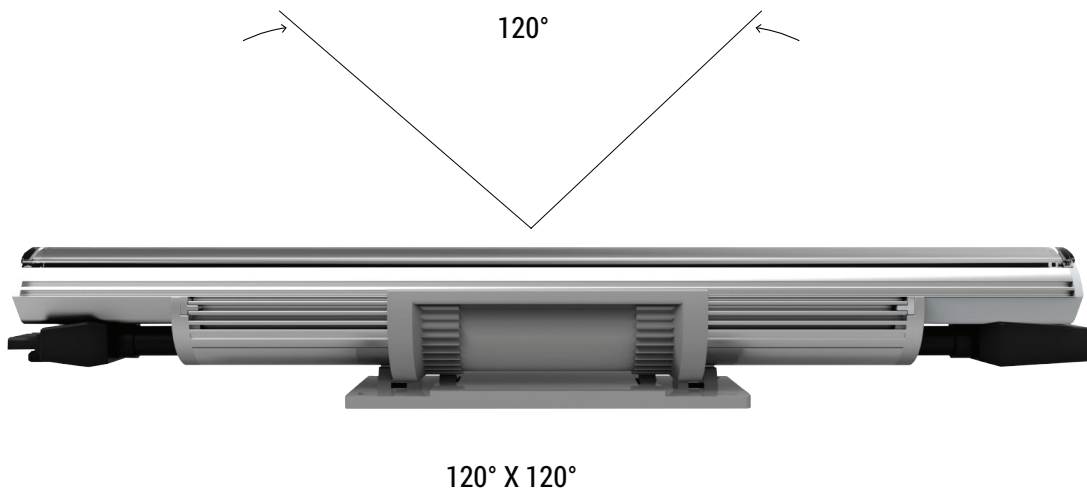


End Cap

EC-DIM10	- 5-pin for 0-10V dimming
EC-DIMELV	- 3-pin for ELV

Linear LED High Performance Indoor Cove Luminaire

Distribution



Dimensions (For complete dimensions and submittal drawings, please consult factory for more information)

