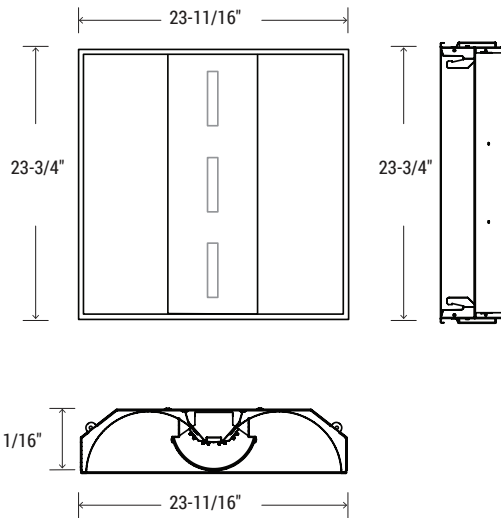




FEATURES

The OCDI-LED blends the traditional look of an architectural volumetric troffer with a center acrylic diffuser, resulting in unmatched optical performance that delivers the latest in LED technology and lens innovation. The integrated LEDs are strategically angled behind the center indirect acrylic diffuser to maximize lumen output and provide even illumination across the full face of the luminaire. The consistency of the volumetric effect results in optimized visual comfort, enhancing the quality of illumination. The combination of energy savings and optical performance creates the ideal choice for educational, medical, office and retail spaces.



NOMINAL LUMENS	DELIVERED LUMENS	WATTAGE
4000	4042	60 W
3000	3059	44 W
2000	1963	28 W

Based on 4000K, 85+ CRI. Actual wattage may vary +/- 5%

LUMENS	2000, 3000, 4000
CCT & DYNAMIC PLATFORMS	30K, 35K, 40K, 50K
CRI	85+
COLOR QUALITY	3 Step MacAdam Ellipse
SIZE	2'x2', 2'x4'
MOUNTING	Recessed
DIMMING & CONTROL	0-10V Flicker Free 1% Dimming Standard (DIM10), LUTH, LUTFTB, LUT2W, DIMST, ELDO10.1, ELDODMX.1, DALI.1
EMERGENCY	10W - Up to 1000L output (Bodine BSL310) 20W - Up to 2000L output (Bodine BSL20)
LIFETIME	L70 at 50,000 Hours
PHOTOMETRIC TESTS	In Accordance with IES LM79-08, LM80 and TM-30, TM-21



MAINTENANCE

The center acrylic diffuser can be removed, allowing easy access to LED boards and driver compartment, locking into place for secure closure of the luminaire. LED engines and drivers are removable and upgradable even after luminaire installation. Luminaire can be regularly and safely wiped down to ensure optimal performance.

OPTICAL SYSTEM

Diffuser is composed of a two-part overlay system that includes a thin frosted acrylic sheet and a steel perforated lamp shield. The system works together to gather the light scattered by the LED chips and delivers uniform voluminous light into any environment. The lens can be easily removed without the use of tools in case maintenance is required.

CONSTRUCTION

Body is constructed of heavy-duty 20-gauge cold rolled steel, post-painted and engineered for maximum strength and extended life. All corners interlock to prevent aesthetic damage to the luminaire, with sides and corners uniformly turned in and hemmed to remove sharp edges for safe handling and easy installation. Luminaire is supplied with multiple wiring entrances for easy daisy chain of luminaires, to add power packs, whips, or other accessories in the field, or for continuous row mounting.

FINISH

Post-painted with a 93% reflective white coat to improve luminaire efficacy, with all body components seamlessly interlocked for added structural strength.

MOUNTING

Luminaires accommodate lay-in ceilings, Slot T, and T-bar suspension systems for 5/8" and 3/8" ceiling thicknesses. Four corner tie points are standard for safety wire support when required, with built-in earthquake clips, standard. Luminaires may be available with flange kits, surface mounted kits, and other options.

OPTIONS

Luminaires can be shipped pre-installed with whips, modular wiring systems, daylight harvesting controls, occupancy sensors, and/or power packs for individual or room control applications.

DRIVER ELECTRICAL INFORMATION

Powered by high-quality constant-current power LED drivers which are rated for 50 to 60Hz at 120/277V input. Available in 347V., produce less than 20% THD, and have a power factor of .90 to 1.00.

DIMMING & DRIVER INFORMATION

DIM10 - Flicker Free 1% Dimming Standard (DIM10) 0-10V dimming on either MVOLT 120, 277 or 347V.

LUT2W - Lutron LTEA2W Hi-Lume 1%. 2-wire LED driver (120V forward phase only).

LUTH - Lutron LDE1 Hi-Lume 1% EcoSystem LED driver with Soft-on, Fade-to-Black dimming technology.

ELDO10.1 - EldoLED SoloDrive 0-10V. Dimming down to 0.1%.

DALI - DALI DT6, DT8 dimming down to 1%.

ELDODMX - EldoLED PowerDrive dimming down to 0.1%.

Please see EldoLED website for wiring diagrams and a list of compatible DMX and DALI control systems.

DIMST - Step Dimming

WARRANTY

Five-year warranty for parts and components. (Labor not included)

LISTINGS

c-UL-us - Listed for Feed Through Wiring.

Listed for DLC, California Title 24 compliant.

Example: **22-OCDI-LED-4000L-DIM10-MVOLT-30K-85**

FIXTURE SIZE	SERIES	TYPE	LUMENS	DIMMING	VOLTAGE	CCT	CRI	EMERGENCY	OTHER OPTIONS
22 - 2' X 2'	OCDI - LED	LED	2000L - 2000 lumens 3000L - 3000 lumens 4000L - 4000 lumens	DIM10 - 0-10V Dimming DIMST - Step Dimming LUTH - Lutron HiLume LUT2W - Lutron 2Wire ELDO10.1 - EldoLED 0-10V DALI - EldoLED DALI ELDODMX - EldoLED DMX	MVOLT 347* 120 277	30K 35K 40K 50K	85	0-EMG-LED-10W 0-EMG-LED-20W	24FK - 2'x4' Flange Kit FBF - Internal Fast Blow Fuse SBF - Internal Slow Blow Fuse RIS - Radio Interference Suppressor USA - Made in America Compliance FS-PPV2 - Fixture Sensor Power Pack FD-301 - Low Voltage Daylight Dimming Photosensor LMFC-011 - Digital Lighting Manager FS-205 - Low Voltage Pir Fixture Integrated Occupancy Sensor

*Consult factory for details

LUT2W are available in 120V only **LUT2W** up to 4000L

LUTH, **ELDO10.1**, **ELDODALI.1**, and **ELDODMX.1** are available in 120V and 277V

-Reference last page for Control Options

***FD-301** & **FS-205** require **FS-PPV2**- Power Pack

- 1- Luminaire will be shipped with Powerpacks pre-installed, ready to be integrated to designated control systems
- 2- Luminaire will be shipped with Sensors installed on the luminaire, allowing for individual luminaire control. Luminaires will be ready to be integrated with designated control systems
- 3- Luminaire will be shipped with Sensors to be remotely installed on the ceiling. Luminaires will be ready to be integrated with designated control systems

BRAND	EASYFIT by EnOcean	LUTRON	enlighted	LEVITON®	OSRAM	PHILIPS EasySense	legrand®
CONTROL UNIT	<input type="checkbox"/> LEDRU LED Relay Zone Controller 0-10V ¹	<input type="checkbox"/> FCJS-0-10 Lutron Vive 0-10V Individual Control Models ¹⁴	<input type="checkbox"/> CU-4E-FMH Fixture Mount Control Unit ¹⁵	<input type="checkbox"/> ZL027 –NOW Intellect Power Control Module ¹⁶	<input type="checkbox"/> EN-WCM2-ZB-DR Wireless Control Module ¹⁷	<input type="checkbox"/> XITANIUM SR LED DRIVER The Philips Advance Xitanium SR LED driver ¹⁸	<input type="checkbox"/> LMFC-011 ON/OFF/0-10V dimming fixture controller ¹⁹
	<input type="checkbox"/> LEDDU LED Zone Controller 0-10V ¹	<input type="checkbox"/> FCJS-ECO Lutron Vive Eco-system Individual Control Models ¹⁴		<input type="checkbox"/> ZL027 –DLE Intellect Power Control Module ¹⁶	<input type="checkbox"/> EN- ALC-ZB-BK-DR Wireless Area Lighting Control Module ¹⁷		<input type="checkbox"/> FS-PP-V2 FS-PP Fixture Integrated Sensor Power Pack ¹⁹
INTEGRAT OCCUPANCY& DAYLIGHT SENSOR	N/A	<input type="checkbox"/> DFCSJ-OEM-OCC Clear Connect (RF) and Occupancy/ Daylight Sensing ²	<input type="checkbox"/> SU-5E-IoT IoT Node Micro Sensor	<input type="checkbox"/> ZL00J -TOW Intellect Intelligent Fixture Control System ²	<input type="checkbox"/> EN-CLM-PIR-DD-ZB SensiLUM™ Wireless Integrated Sensor	<input type="checkbox"/> SNS200 SNS200 for grouping ²	<input type="checkbox"/> FD-301 Fixture integrated Daylight Dimming Sensor ²
			<input type="checkbox"/> SU-5E-CL Connected Micro Sensor	<input type="checkbox"/> ZL00J-DOW Intellect Intelligent Fixture Control System ²			<input type="checkbox"/> SNS300 SNS300 for networks ²
*WIRELESS OCCUPANCY SENSOR	<input type="checkbox"/> EOSCU-W-EO Occupancy Sensor - Ceiling Mounted ³	<input type="checkbox"/> LRF2-OCR2B-P-WH Ceiling mount 360° ,occupancy/vacancy sensor ³	N/A	N/A	<input type="checkbox"/> EN-SCPPH- 1500-ZB Wireless Passive Infrared Occupancy and Photo Sensors ³	N/A	<input type="checkbox"/> LMDC-100 Dual technology PIR Ceiling Mount Occupancy Sensor ³
*WIRELESS DAYLIGHT SENSOR	<input type="checkbox"/> ELLSU-W-EO Light Level Sensor - Ceiling Mounted ³	<input type="checkbox"/> LRF2-DCRB-WH Ceiling-mount daylight sensor ³	N/A	N/A	<input type="checkbox"/> EN-SCPPH- 1500-ZB Wireless Passive Infrared Occupancy and Photo Sensors ³	N/A	<input type="checkbox"/> LMLS-400 Single zone switching and dimming digital photosensor ³
*WIRELESS OCCUPANCY & DAYLIGHT SENSOR	N/A	N/A	<input type="checkbox"/> SU-5E-IoT IoT Node Micro Sensor	<input type="checkbox"/> ZL00J -TOW Intellect Intelligent Fixture Control System	<input type="checkbox"/> EN-CLM- PIR-DD-ZB SensiLUM™ Wireless Integrated Sensor	<input type="checkbox"/> SNS200-CMP SNS-200 for Grouping ³	N/A
			<input type="checkbox"/> SU-5E-CL Connected Micro Sensor	<input type="checkbox"/> ZL00J-DOW Intellect Intelligent Fixture Control System	<input type="checkbox"/> ZBHA- CLM-DIM-ENC Connected Lighting Module DIM		
			<input type="checkbox"/> SU-5E-IL Independent Micro Sensor	(Must be specified with ZL027-NOW and ZL00J- DOW Control unit) ³	(Must be specified with EN-WCM2-ZB-DR or EN- ALC-ZB-BK-DR Control Unit) ³		
			<input type="checkbox"/> SU-5S-H(IoT/CL/IL) Surface Mount Sensor (Must be Specified with CU- 4E-FMH Control Unit) ²				
ACCESORIES	N/A	N/A	<input type="checkbox"/> TMC-SU-5E Tile Mount Carrier	N/A	N/A	N/A	N/A
			<input type="checkbox"/> CBL-5E-CU4-30N 30 inch Sensor cable for CU-4 and IoT Ready				
			<input type="checkbox"/> CBL-5E-CU4-7F 7 Foot sensor cable for CU-4 and IoT Ready Driver				
NOTES	N/A	4- Luminaire will be compatible with LUTRON LRF2-OCR2B-PWH Ceiling mount 360deg occupancy/ vacancy sensor & LRF2-DCRB-WH ceiling mount daylight sensor. Sensors must be orderd through Lutron	5- Luminaire will be compatible with ENLIGHTED SU-5E-IoT, SU-5E-CL, SU-5E-IL, SU-5SH, Sensors	6- Luminaire will be compatible with LEVITON Intellect APP & Keypad room controller	7- Luminaire will be compatible with EN-SCPPH-1500-ZB Wireless passive infrared occupancy and photo sensor	8- Luminaire will be compatible with philips field and wireless switch	9- Luminaire will be compatible with DLM Room control system LMPB-100. . Sensors must be orderd through Legrand.