

NOMINAL LUMENS	ELITE PLATFORM
10000	83 W
9000	70 W
8000	64 W
6000	52 W
5000	41 W
4000	35 W

Based on 4000K, 90+ CRI. Actual wattage may vary +/- 5%

**DYNAMIC PLATFORM**

**SMART WHITE** - Tunable White with Smart White Technology allows the tuning of luminaires to mimic the natural color patterns throughout the day, enhancing interior office spaces, hospitality, and architectural elements. Tuning of intensity and color in classrooms enables a diversification in student activities, while the use of tunable white technology in healthcare stimulates circadian rhythm, accelerating the healing process. Complementing colors and textures in retail merchandising also has an impact on sales, utilizing the technology to adjust colors throughout the season. A CRI of 90+ is standard, and available on all three platforms. Elite Platform (50K-27K),

LUMENS	Elite Platform: 4000, 5000, 6000, 8000, 9000, 10000
TUNABLE WHITE PLATFORMS	High Performance: TWH-50K-27K (50K to 27K) High Performance: TWH-65K-27K (50K to 27K)
CRI	90+
COLOR QUALITY	2 Step MacAdam Ellipse
SIZE	1'x4', 2'x2', 2'x4'
MOUNTING	Recessed
DIMMING & CONTROL	0-10V Flicker Free 1% Dimming (DIM10), DMX-512/RDM LUTH, DALI, DLM
EMERGENCY	10W - Up to 1000L output (Bodine BSL310) 20W - Up to 2000L output (Bodine BSL20)
LIFETIME	L70 at 50,000 Hours
PHOTOMETRIC TESTS	In Accordance with IES LM79-08, LM80 and TM-30, TM-21





**FEATURES**

The OD1V-LED combines exquisite style with uncompromised performance, featuring a fully-illuminated lens that provides shadow-free illumination across the entire surface, creating a subtle floating visual effect that blends seamlessly with the ceiling. The combination of a micro-prism center optical lens and an angled backlit lens creates a volumetric, uniform illumination, delivering a high angled distribution which provides a higher intensity of illumination across the work plane. The glare-free illumination, high efficient and sustainability of the luminaire also makes it the ideal source for corporate offices, educational, health care, commercial, and retail applications.

**OPTICAL SYSTEM**

The LED light engine is secured to the body of the luminaire, with the body acting as a heat sink. A proprietary design of the lens results in zero pixilation, regardless of the viewing angle, with LEDs placed to promote a uniform appearance. The result is even illumination across the space, from luminaire to luminaire.

**MAINTENANCE**

The micro-prism center optical lens door assembly is hinged, allowing easy access to LED boards and driver compartment, locking into place for secure closure of the luminaire. LED engines and drivers are removable and upgradable even after luminaire installation. Luminaire can be regularly and safely wiped down to ensure optimal performance.

**OPTICAL SYSTEM**

The LED light engine is secured to the body of the luminaire, with the body acting as a heat sink. A proprietary design of the lens results in zero pixilation, regardless of the viewing angle, with LEDs placed to promote a uniform appearance. The result is even illumination across the space, from luminaire to luminaire.

**CONSTRUCTION**

Body is constructed of heavy-duty 20-gauge cold rolled steel, post-painted and engineered for maximum strength and extended life. All corners interlock to prevent aesthetic damage to the luminaire, with sides and corners uniformly turned in and hemmed to remove sharp edges for safe handling and easy installation. Luminaire is supplied with multiple wiring entrances for easy daisy chain of luminaires, to add power packs, whips, or other accessories in the field, or for continuous row mounting.

**FINISH**

Post-painted with a 93% reflective white coat to improve luminaire efficacy, and all body components are seamlessly interlocked for added structural strength.

**MOUNTING**

Luminaires accommodate lay-in ceilings, Slot T, and T-bar suspension systems for 5/8" and 3/8" ceiling thicknesses. Four corner tie points are standard for safety wire support when required, with built-in earthquake clips, standard. Luminaires may be available with flange kits, surface mounted kits, and other options.

**OPTIONS**

Luminaires can be shipped pre-installed with whips, modular wiring systems, daylight harvesting controls, occupancy sensors, and/or power packs for individual or room control solutions.

**DRIVER ELECTRICAL INFORMATION**

Powered by high-quality constant-current power LED drivers which are rated for 50 to 60Hz at 120-277V input, produce less than 20% THD, and have a power factor of .90 to 1.00.

**WARRANTY**

Five-year warranty for parts and components. (Labor not included)

**LISTINGS**

c-UL-us - Listed for Feed Through Wiring.



Example: **24-OD1V-LED-TWH-50K-27K-4000L-DIM10-MVOLT-90**

<b>24</b>	<b>OD1V-LED</b>							
<b>FIXTURE SIZE</b>	<b>SERIES</b>	<b>PLATFORM</b>	<b>LUMENS</b>	<b>DIMMING</b>	<b>VOLTAGE</b>	<b>CRI</b>	<b>EMERGENCY</b>	<b>OTHER OPTIONS</b>
24 - 2' X4'	OD1V-LED - LED Volumetric Troffer	ELITE PLATFORM TWH-50K-27K TWH-65K-27K	ELITE PLATFORM 4000L - 3400 lumens 5000L - 4000 lumens 6000L - 5000 lumens 8000L - 6000 lumens 9000L - 9000 lumens 10000L - 10000 lumens	ELITE PLATFORM DIM10 - 0-10V Dimming ELDODMX.1 - ELDODMX ELDODALI - ELDODALI TYPE 8 LUTH - Lutron T-Series	120 277 MVOLT	90+	EMG-LED-10 EMG-LED-20 <small>(*Only Available on Elite Platform)</small>	22FK - 2'x2' Flange Kit FBF - Internal Fast Blow Fuse SBF - Internal Slow Blow Fuse RIS - Radio Interference Suppressor USA - Made in America Compliance

**OTHER OPTIONS**

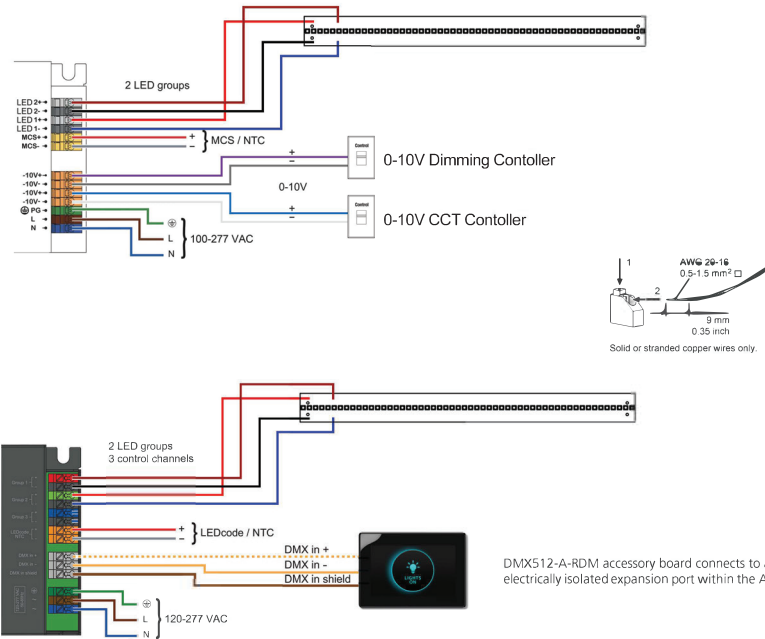
**EC-WC-HW-MVOLT**  
Hard Wired Wall-Mount Controller to Controls CCT Tuning and Intensity. (Order with DIM10 Option)  
Available on Elite.

- ELDODALI, ELDODMX, LUTH available 120-277  
\* For BLE Dimming Option Please Consult Factory

Due to the changes of constant improvement in LED technology, all details are subject to change without notice. Consult factory for up to date information.

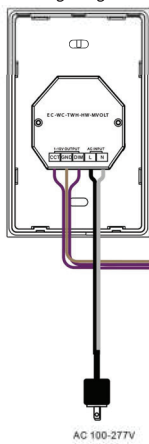


**TWH-50K-27K**



**TWH Controller EC-WC-TWH-HW-MVOLT**

Wiring Diagram:



- 100-277VAC input.
- Touch slide tunable white and brightness control.
- 2 channels 1-10V signal output.
- 0.1%-100% dimming.
- Waterproof grade:IP20.
- Save up to max 3 different colors.

**Safety & Warnings:**  
DO NOT install with power applied to device.  
DO NOT expose the device to moisture.

Output Signal	2x(1-10V) signal
Power Supply	100-277VAC
Power consumption	30 mA max
Operating temperature	0-40°C
Relative humidity	8% to 80%
Dimensions	75x120x40.8mm

