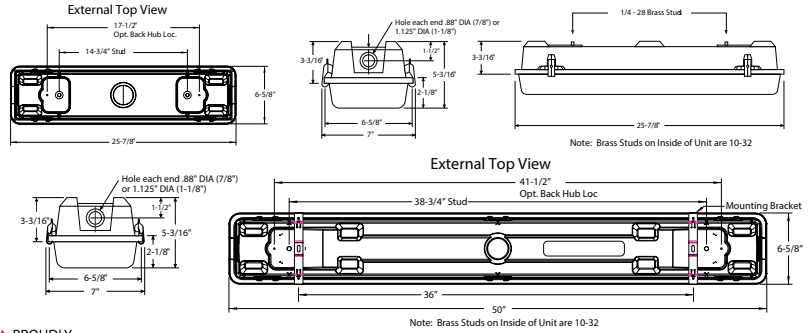
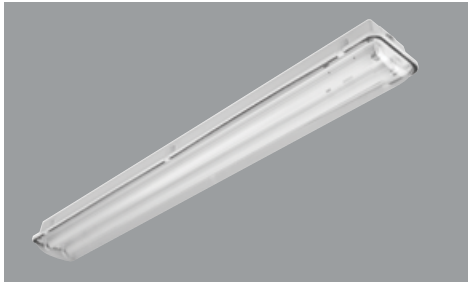


### T8 /T5 - 2' & 4' VAPOR TIGHT, IP65 WET LOCATION LUMINAIRE (1 OR 2 LAMP)



#### APPLICATION:

The OW1IP series is suitable for wet location areas. Common applications include parking garages, schools, industrial facilities, and stairways.

#### PRODUCT FEATURES:

Suitable for suspension by chain, cable or pendant and can be surface mounted. All required hardware and mounting brackets are included. Integral molded-latch retention pockets securely locks in polycarbonate latches. Suspension systems are not included. Chain or stainless steel cable are available as options. Stainless steel latches available upon request.

#### STRUCTURALLY RIGID FIBERGLASS BODY

Fiberglass is reinforced polyester and self-extinguishing (ASTM D635-74). This type of construction prevents the body from flexing during handling and installation.

#### GASKETED DIFFUSER RETENTION SLOT

- The gasketed inverted-U slot provides a positive continuous seal between body and diffuser
- Continuous-poured gasket completely fills channel for maximum seal integrity

#### HIGH-IMPACT ACRYLIC/DR DIFFUSER

- Internal crepe pattern allows a smooth exterior surface for ease of cleaning
- The diffuser flange fits snugly into the gasketed retention slot forming a continuous seal
- Optional 95% reflective silver reflector
- CEE qualified ballast comes standard on most fixture options

#### LISTING

- UL/C-UL listed to US and Canadian standard
- IP65 Rating

#### WARRANTY

Guaranteed for one year against mechanical defects



### Ordering Information > Example: 4-OW1IP-2-32-T8-ADV-10-MVOLT

4	OW1IP								
---	-------	--	--	--	--	--	--	--	--

FIXTURE SIZE	SERIES	# OF LAMPS/LAMP TYPE	VOLTAGE <sup>2</sup>	# OF BALLAST	BALLAST FACTOR	LAMP INSTALLED
4- 4'	OW1IP- Oracle Wet Vapor Tight	<b>4' FIXTURE</b> 1-32-T8 (1 lamp/32W/T8) 2-32-T8 (2 lamps/32W/T8) 3-32-T8 (3 lamps/32W/T8) 1-28-T5 (1 lamp/28W/T5) 2-28-T5 (2 lamps/28W/T5) 3-28-T5 (3 lamps/28W/T5) 1-54-T5HO (1 lamp/54W/T5HO) 2-54-T5HO (2 lamps/54W/T5HO) 3-54-T5HO (3 lamps/54W/T5HO)	(Blank) - MVOLT (120/277) 120 277 347 480	(Blank) - 1 Ballast 2 - 2 Ballasts	(Blank) - Normal BF HBF - High BF LBF - Low BF	(Blank) - No lamp L30K- 3000K L35K- 3500K L41K- 4100K L50K- 5000K

EMERGENCY BATTERY PACK OPTIONS (L. = LUMENS)	
ORDER CODE	DESCRIPTION
EMG-T8-BX-450	Up to 450 L. for T8 or BX
EMG-T8-BX-600	Up to 600 L. for T8 or BX
EMG-T8-BX-700	Up to 700 L. for T8 or BX
EMG-T8-BX-1400	Up to 1400 L. for T8 or BX
EMG-T5-T5HO-700	Up to 700 L. for T5 or T5HO
EMG-T5-T5HO-1300	Up to 1300 L. for T5 or T5HO
EMG-SD-T8-BX-T5-T5HO-1400	Self-Diagnostic 1400 L. for T8, BX, T5 or T5HO
EMG-ICE-T8-BX-T5-T5HO-1400	ICE Pack 1400 L. for T8, BX, T5 or T5HO
GTD	Generator Transfer Device

BALLAST CONFIGURATION & CODE						
32W/T8	28W/T5	17W/T8	54W/T5HO	14W/T5	24W/T5HO	DESCRIPTION
(Blank)	-	(Blank)	-	-	-	Electronic Instant Start
EPS	(Blank)	EPS	(Blank)	(Blank)	(Blank)	Electronic Program Start
ADV-7	-	ADV-7	ADV-7	-	-	Advance Mark-7 <sup>1</sup>
ADV-10	-	ADV-10	ADV-10	-	ADV-10	Advance Mark-10 <sup>1</sup>
-	ADV-OPT	-	-	-	-	Advance Optanium <sup>1</sup>
ADV-ESS	-	ADV-ESS	-	-	-	Advance Essential <sup>1</sup>
ADV-ROVR	-	ADV-ROVR	ADV-ROVR	-	-	Advance Rover <sup>1</sup>
LUT-EHD	LUT-EHD	-	LUT-EHD	-	-	Lutron Ecosystem H-Series <sup>1</sup>
LUT-2W	-	-	-	-	-	Lutron Tu-Wire <sup>1</sup>
LUT-EC5	LUT-EC5	LUT-EC5	-	LUT-EC5	LUT-EC5	Lutron Ecosystem <sup>1</sup>
LUT-EC3	LUT-EC3	LUT-EC3	LUT-EC3	LUT-EC3	LUT-EC3	Lutron Eco-10 <sup>1</sup>
LUT-TVE	-	-	-	-	-	Lutron Tve <sup>1</sup>
LUT-H3D	LUT-H3D	LUT-H3D	LUT-H3D	LUT-H3D	LUT-H3D	Lutron Hi-Lume 3D <sup>1</sup>
-	-	-	LUT-ECD	-	-	Lutron Ecosystem (347V Only) <sup>1</sup>

<sup>1</sup> - Voltage must be specified for dimming ballast.

WIRING OPTIONS	OTHER OPTIONS
PCSB120 - 10' Nema 5-15R 120V Straight Blade Plug	CH - Heavy Duty Chain
PCSB277 - 10' Nema 7-15R 277V Straight Blade Plug	MS - Motion Sensor (Damp location only)
PCTL120 - 10' Nema L5-15R 120V Twist Lock Plug	MSPH - Motion Sensor with Photocell
PCTL277 - 10' Nema L7-15R 277V Twist Lock Plug	GSS - Gripple Suspension System
IPTL120 - 10' 120V IP Rated Twist lock Plug	VH - V Hook
IPTL277 - 10' 277V IP Rated Twist lock Plug	SSL - Stainless Steel Latches
S01 - 10' 120V/277V SO Cord	OW1PSR - Specular Reflector
S02 - 10' 480V SO Cord	SSLTP - Stain Steel Latches with Tamper-proof
(Consult Factory for 208V, 248V, 347V and 480V wiring)	PCLTP - Polycarbonate Latches with Tamper-proof Screws
	USA - Made in America Compliance

T8/T5  
OW1IP

Wet Location 4' Vapor Tight Fluorescent