

NOMINAL LUMENS	DELIVERED LUMENS	WATTAGE
4000	4182	37W
5000	5081	40W

Based on 4000K, 90+ CRI. Actual wattage may vary +/- 5%

**FEATURES**

The OWS LED Vapor Tight is a wet location luminaire that withstands exposure to harsh conditions and water. Frosted lens and internal injection-molded lens provide smooth illumination and prevent bubbling. Complies with safety codes to light parking garages, schools, car washes, corridors, hallways, stairways, food processing, cold storage, and other industrial facilities.

LUMENS	4000L, 5000L
CCT	30K, 35K, 40K, 50K
CRI	85+
COLOR QUALITY	3 Step MacAdam Ellipse
LENGTH	4'
TEMPERATURE	-20°C to 50°C
MOUNTING	Surface
DIMMING & CONTROL	0-10V Flicker Free 1% Dimming Standard (DIM10)
EMERGENCY	10W - Up to 1000L output
LIFETIME	L70 at 100,000 Hours
PHOTOMETRIC TESTS	In Accordance with IES LM79-08, LM80 and TM-30, TM-21



**MAINTENANCE**

Two-piece, snap-together design for fast, easy installation. Simple two-piece design consists of housing and optical assembly to streamline installation process.

**OPTICS**

Frosted lens is easy to install with clips that secure lens to housing. Frosted lens prevents discoloration and minimizes glare. Internal injection-molded lens provides high-impact resistance and prevents bubbling.

**MOUNTING**

Suitable for suspension by V-hook or surface mounting. All required hardware is included (less chain, cable).

**INSTALLATION**

Suitable for suspension by V-hook or surface mounting. Two-piece (housing and optics) design snaps together for fast, easy installation.

**CONSTRUCTION**

One-piece, durable fiberglass housing. Enclosed-and-gasketed fixture provides airtight seal, keeping out condensation, humidity, dirt, and dust. Latches bind to the housing, securing housing and lens in place.

**DRIVER ELECTRICAL INFORMATION**

Powered by high-quality constant-current power LED drivers rated for 50 to 60Hz at 120/277V input. Available in 347V, produce less than 20% THD, and have a power factor of .90 to 1.00.

**DIMMING & DRIVER INFORMATION**

DIM10 - Flicker Free 1% Dimming Standard (DIM10) 0-10V dimming on either MVOLT 120, 277V.

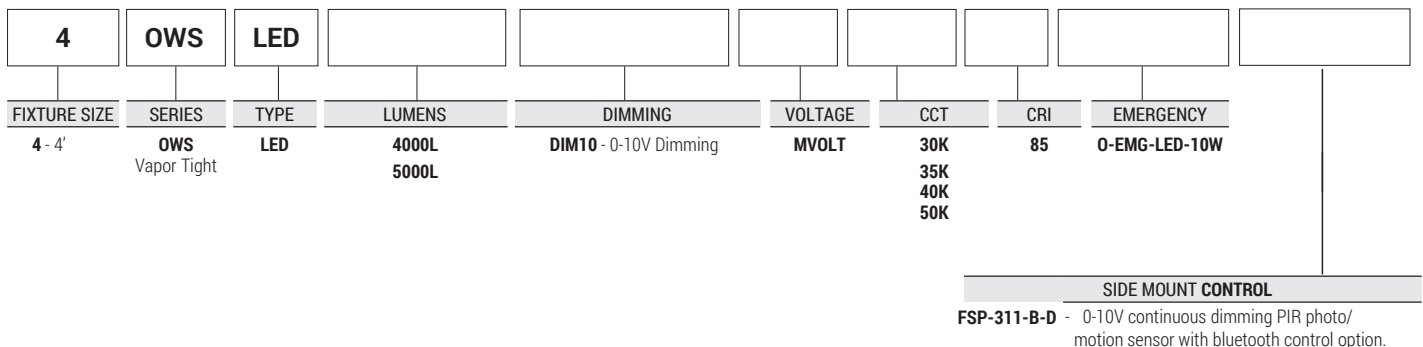
**WARRANTY**

Five-year warranty for parts and components. (Labor not included).

**LISTINGS**

UL/C-UL listed to US and Canadian standard  
IP65 and IP78-rated  
DLC listed

Example: **4-OWS-LED-4000L-DIM10-MVOLT-35K-85**



**INTEGRATED SENSOR AND CONTROL OPTIONS**

With the integration of controls, Elite Lighting now offers its products with controls-ready performance that increases energy efficiency, smarter space planning, and the enhancement of safety and productivity in the workplace. By utilizing these controls, Elite Lighting luminaires enable your customer's facility to run smarter, with the use of an easily controlled system through any platform.

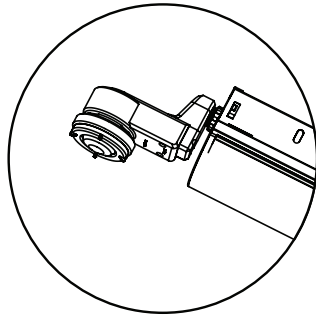
Luminaire will be shipped with Powerpacks pre-installed, ready to be integrated to designated control systems

Luminaire will be shipped with Sensors installed on the luminaire, allowing for individual luminaire control. Luminaires will be ready to be integrated with designated control systems

Luminaire will be shipped with Sensors to be remotely installed on the ceiling. Luminaires will be ready to be integrated with designated control systems

<b>BRAND</b>	
<b>PIR INTEGRATED SENSOR</b>	<input type="checkbox"/> FSP-311-B-D 0-10V continuous dimming PIR photo/motion sensor with bluetooth control option.

**SIDE MOUNT**



**LEGRAND**

FSP-311-B-D  
 0-10V continuous dimming PIR photo/motion sensor with bluetooth control option.