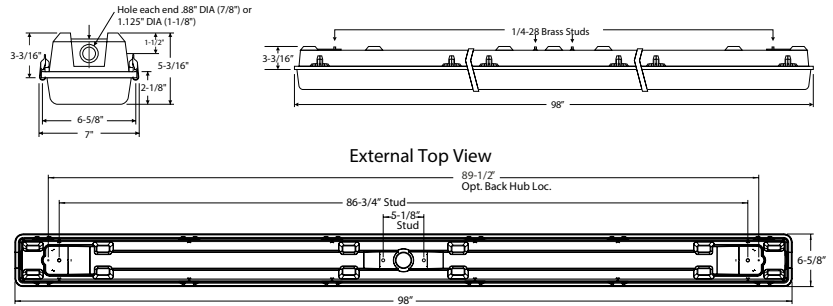
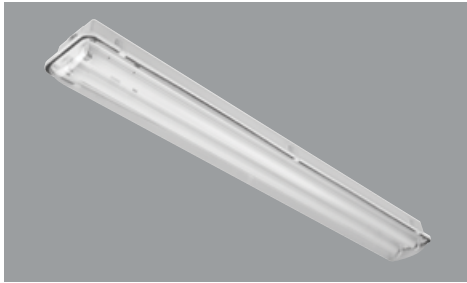


### T8 /T5 - 8' VAPOR TIGHT, IP65/IP67 WET LOCATION LUMINAIRE (1 OR 2 LAMP 8') OR (2 OR 4-LAMP 8' TANDEM)



#### APPLICATION:

The OW2IP series is suitable for wet location areas. Common applications include parking garages, schools, industrial facilities, and stairways.

#### PRODUCT FEATURES:

Suitable for suspension by chain, cable or pendant and can be surface mounted. All required hardware and mounting brackets are included. Integral molded-latch retention pockets securely locks in polycarbonate latches. Suspension systems are not included. Chain or stainless steel cable are available as options. Stainless steel latches available upon request.

#### STRUCTURALLY RIGID FIBERGLASS BODY

Fiberglass is reinforced polyester and self-extinguishing (ASTM D635-74). This type of construction prevents the body from flexing during handling and installation.

#### GASKETED DIFFUSER RETENTION SLOT

- The gasketed inverted-U slot provides a positive continuous seal between body and diffuser
- Continuous-poured gasket completely fills channel for maximum seal integrity

#### HIGH-IMPACT ACRYLIC/DR DIFFUSER

- Internal crepe pattern allows a smooth exterior surface for ease of cleaning
- The diffuser flange fits snugly into the gasketed retention slot forming a continuous seal
- Optional 95% reflective silver reflector
- CEE qualified ballast comes standard on most fixture options

#### LISTING

- UL/C-UL listed to US and Canadian standard
- IP65 Rating



#### WARRANTY

Guaranteed for one year against mechanical defects

T8/T5  
OW2IP

### Ordering Information > Example: 8-OW2IP-2-32-T8-ADV-10-MVOLT

8	OW2IP						
---	-------	--	--	--	--	--	--

FIXTURE SIZE	SERIES	# OF LAMPS/LAMP TYPE	VOLTAGE <sup>2</sup>	# OF BALLAST	BALLAST FACTOR	LAMP INSTALLED
8- 8'	OW2IP- Oracle Wet Location Vapor Tight IP	<b>1-59-T8</b> (1 lamp/59W/T8) <b>2-59-T8</b> (2 lamps/59W/T8) <b>3-59-T8</b> (3 lamps/59W/T8) <b>2-32-T8</b> (2 lamps/32W/T8) <b>3-32-T8</b> (3 lamps/32W/T8) <b>4-32-T8</b> (4-lamps/32W/T8) <b>2-28-T5</b> (2 lamps/28W/T5) <b>3-28-T5</b> (3 lamps/28W/T5) <b>4-28-T5</b> (4-lamps/28W/T5) <b>2-54-T5HO</b> (2 lamps/54W/T5HO) <b>3-54-T5HO</b> (3 lamps/54W/T5HO) <b>4-54-T5HO</b> (4-lamps/54W/T5HO)	<b>(Blank)</b> - MVOLT (120/277) <b>120</b> <b>277</b> <b>347</b> <b>480</b>	<b>(Blank)</b> - 1 Ballast <b>2</b> - 2 Ballasts	<b>(Blank)</b> - Normal BF <b>HBF</b> - High BF <b>LBF</b> - Low BF	<b>(Blank)</b> - No lamp <b>L30K</b> - 3000K <b>L35K</b> - 3500K <b>L41K</b> - 4100K <b>L50K</b> - 5000K

#### EMERGENCY BATTERY PACK OPTIONS (L. = LUMENS)

ORDER CODE	DESCRIPTION
<b>EMG-T8-BX-450</b>	Up to 450 L. for <b>T8</b> or <b>BX</b>
<b>EMG-T8-BX-600</b>	Up to 600 L. for <b>T8</b> or <b>BX</b>
<b>EMG-T8-BX-700</b>	Up to 700 L. for <b>T8</b> or <b>BX</b>
<b>EMG-T8-BX-1400</b>	Up to 1400 L. for <b>T8</b> or <b>BX</b>
<b>EMG-T5-T5HO-700</b>	Up to 700 L. for <b>T5</b> or <b>T5HO</b>
<b>EMG-T5-T5HO-1300</b>	Up to 1300 L. for <b>T5</b> or <b>T5HO</b>
<b>EMG-SD-T8-BX-T5-T5HO-1400</b>	Self-Diagnostic 1400 L. for <b>T8</b> , <b>BX</b> , <b>T5</b> or <b>T5HO</b>
<b>EMG-ICE-T8-BX-T5-T5HO-1400</b>	ICE Pack 1400 L. for <b>T8</b> , <b>BX</b> , <b>T5</b> or <b>T5HO</b>
<b>GTD</b>	Generator Transfer Device

#### BALLAST CONFIGURATION & CODE

32W/T8	59W/T8	28W/T5	54W/T5HO	DESCRIPTION
<b>(Blank)</b>	<b>(Blank)</b>	-	-	Electronic Instant Start
<b>EPS</b>	<b>EPS</b>	<b>(Blank)<sup>1</sup></b>	<b>(Blank)</b>	Electronic Program Start
<b>ADV-7</b>	-	-	<b>ADV-7<sup>1</sup></b>	Advance Mark-7 <sup>2</sup>
<b>ADV-10<sup>1</sup></b>	-	-	<b>ADV-10<sup>1</sup></b>	Advance Mark-10 <sup>2</sup>
-	-	<b>ADV-OPT</b>	-	Advance Optanium <sup>2</sup>
<b>ADV-ESS<sup>1</sup></b>	-	-	-	Advance Essential <sup>2</sup>
<b>ADV-ROVR</b>	-	-	<b>ADV-ROVR<sup>1</sup></b>	Advance Rover <sup>2</sup>
<b>LUT-EHD<sup>1</sup></b>	-	<b>LUT-EHD<sup>1</sup></b>	<b>LUT-EHD<sup>1</sup></b>	Lutron Ecosystem H-Series <sup>2</sup>
<b>LUT-2W<sup>1</sup></b>	-	-	-	Lutron Tu-Wire <sup>2</sup>
<b>LUT-EC5<sup>1</sup></b>	-	<b>LUT-EC5<sup>1</sup></b>	-	Lutron Ecosystem <sup>2</sup>
<b>LUT-EC3<sup>1</sup></b>	-	<b>LUT-EC3<sup>1</sup></b>	<b>LUT-EC3<sup>1</sup></b>	Lutron Eco-10 <sup>2</sup>
<b>LUT-TVE<sup>1</sup></b>	-	-	-	Lutron Tve <sup>2</sup>
<b>LUT-H3D<sup>1</sup></b>	-	<b>LUT-H3D<sup>1</sup></b>	<b>LUT-H3D<sup>1</sup></b>	Lutron Hi-Lume 3D <sup>2</sup>
-	-	-	<b>LUT-EC<sup>1</sup></b>	Lutron Ecosystem (347V Only) <sup>2</sup>

1 - Requires 2 Ballasts for 4-lamps.

2 - Voltage must be specified for dimming ballast.

#### WIRING OPTIONS

<b>PCSB120</b>	- 10' Nema 5-15R 120V Straight Blade Plug
<b>PCSB277</b>	- 10' Nema 7-15R 277V Straight Blade Plug
<b>PCTL120</b>	- 10' Nema L5-15R 120V Twist Lock Plug
<b>PCTL277</b>	- 10' Nema L7-15R 277V Twist Lock Plug
<b>IPTL120</b>	- 10' 120V IP Rated Twist lock Plug
<b>IPTL277</b>	- 10' 277V IP Rated Twist lock Plug
<b>SO1</b>	- 10' 120V/277V SO Cord
<b>SO2</b>	- 10' 480V SO Cord

(Consult Factory for 208V, 248V, 347V and 480V wiring)

#### OTHER OPTIONS

<b>CH</b>	- Heavy Duty Chain
<b>MS</b>	- Motion Sensor (Damp location only)
<b>MSPH</b>	- Motion Sensor with Photocell
<b>GSS</b>	- Gripple Suspension System
<b>VH</b>	- V Hook
<b>SSL</b>	- Stainless Steel Latches
<b>OW2IPSR</b>	- Specular Reflector
<b>SSLTP</b>	- Stain Steel Latches with Tamper-proof
<b>PCLTP</b>	- Polycarbonate Latches with Tamper-proof Screws
<b>USA</b>	- Made in America Compliance

Wet Location 8' Vapor Tight Fluorescent