

# ELM-LED-803

## LED Emergency Light W/ Battery Back-Up

Emergency Lighting

Catalog Number:

Project Name:

Type:

Note:

**MAXILUME**  
ARCHITECTURAL LIGHTING



### FEATURES

This fixture is an excellent choice when an attractive emergency light is required. In cases of AC power loss, it provides a minimum of 90 minutes illumination. The LED heads may be adjusted through the full range of motion because of the special swivel-track design.

### FACE

- The face has two square LED heads that are fit into bevels on either side and each has a reflector and diffuser

### BATTERY

- Indicator light shows high charge and readiness for operation
- Ni-cad battery works during power failures
- Replaceable and requires no maintenance
- When completely charged, supplies emergency power for 90 minutes

### ELECTRICAL

- 120/277VAC dual voltage, 50/60Hz.
- Charge 24 hours, discharge 100 minutes
- Trickle charge after battery fully charge.
- Test Switch / Charge Indicator light.

### HOUSING

- All components are injection molded, color stable, high impact material.
- Polymeric enclosure that serves to contain electronic part have 5VA flammability rating.
- Black color optional.
- Friendly configuration design for quick installation.
- Fixture can be ceiling, wall mounted.
- Universal J-box mounting pattern.

### MOUNTING

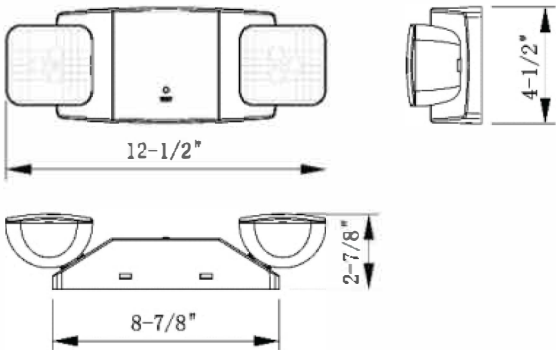
- Suitable for wall mount and ceiling mount.
- Top knockout for conduit applications.

### LAMP HEAD

- Standard model LED lamp head DC 3.6V, 0.9W, deliver 135 lm/head from whole unit, CCT 5700K.

### CODE COMPLIANCE

- UL and cUL listed and meets or exceed all requirement in NFPA 70, NFPA 101 life safety code, suitable for U.S.A and Canada market.
- Suitable for 10°C - 40°C ambient temperature, suitable for damp location.



ELM-LED-803 - ITEM SELECTOR: (Please check the boxes below for the option desired)

HOUSING COLOR	CANOPY
<input type="checkbox"/> W - White	UNIVERSAL MOUNT TO WALL OR CEILING
<input type="checkbox"/> B - Black	

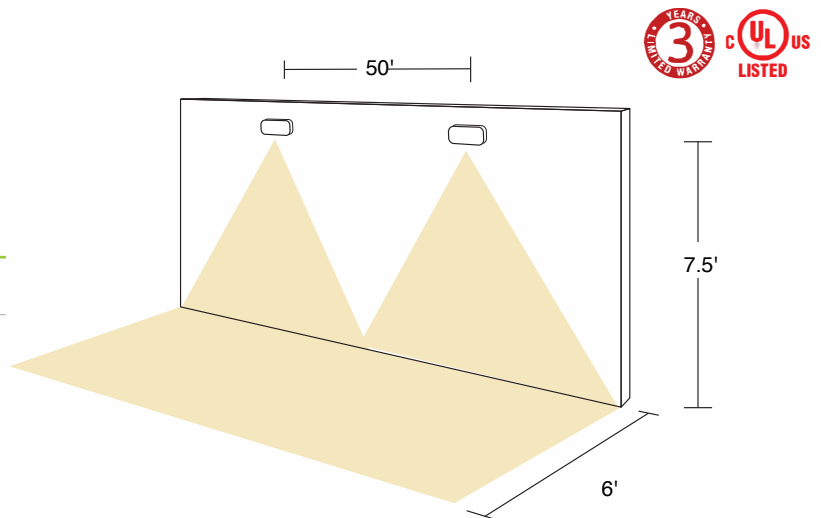
Specified:

ELM-LED-803

HOUSING COLOR

### Maximum Spacing Guidelines- ELM-LED-803

Multiple Luminaire Coverage	Mounting Height	Illumination Level
6' Path of Egress	7.50'	1fc Average



INPUT WATTS: 0.9

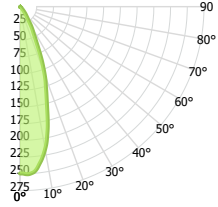
LUMENS: 86

EFFICACY: 96

BEAM ANGLE: 34

SPACING CRITERIA: 0.58

CANDELA DISTRIBUTION



CANDELA TABLE

	0°	90°
0°	249	249
10°	216	184
20°	108	63
30°	33	21
40°	9	4
50°	3	1
60°	1	1
70°	1	0
80°	0	0
90°	0	0

LUMINANCE (cd/sq.m)

	0.00°	90.00°
0.00°	6709	6709
45.00°	181	73
55.00°	87	42
65.00°	60	32
75.00°	57	29
85.00°	86	52

LUMENS PER ZONE

ZONE	LUMENS
0° - 10°	20
10° - 20°	34
20° - 30°	19
30° - 40°	7
40° - 50°	2
50° - 60°	1
60° - 70°	1
70° - 80°	0
80° - 90°	0

ZONAL LUMEN SUMMARY

ZONE	UMENS	% LUMINAIRE
0° - 20°	53	62%
0° - 30°	72	84%
0° - 40°	80	93%
0° - 60°	83	97%
0° - 80°	84	98%
0° - 90°	84	99%

CONE OF LIGHT

MOUNTING HEIGHT	FC AT BEAM CENTER	BEAM DIA. 0°-180°	BEAM DIA. 90°-270°
6.0 ft	6.9 fc	3.6 ft	2.8 ft
8.0 ft	3.9 fc	4.9 ft	3.7 ft
10.0 ft	2.5 fc	6.1 ft	4.7 ft
12.0 ft	1.7 fc	7.3 ft	5.6 ft
14.0 ft	1.3 fc	8.5 ft	6.5 ft
16.0 ft	1.0 fc	9.7 ft	7.4 ft
18.0 ft	0.8 fc	10.9 ft	8.4 ft
20.0 ft	0.6 fc	12.2 ft	9.3 ft

INDOOR COEFFICIENTS OF UTILIZATION

pf	pc	20%																0%	
		80%				70%				50%				30%					10%
pw		70%	50%	30%	10%	70%	50%	30%	10%	50%	30%	10%	50%	30%	10%	50%	30%	10%	0%
0	119	119	119	119	116	116	116	116	110	110	110	105	105	105	101	101	101	101	99
1	114	111	109	107	111	109	107	105	105	103	102	101	100	98	97	96	95	95	93
2	109	105	101	98	107	103	100	97	99	97	95	96	94	92	93	92	90	89	89
3	105	99	95	91	103	98	94	90	95	92	89	92	90	87	90	88	86	84	84
4	100	94	89	86	99	93	88	85	90	87	84	88	85	83	86	84	82	80	80
5	96	89	84	81	95	88	84	80	87	83	80	85	81	79	83	80	78	77	77
6	93	85	80	77	91	85	80	76	83	79	76	82	78	75	80	77	75	73	73
7	89	82	77	73	88	81	76	73	80	75	72	78	75	72	77	74	71	70	70
8	86	78	73	70	85	78	73	70	77	72	69	76	72	69	75	71	69	67	67
9	83	75	70	67	82	75	70	67	74	69	67	73	69	66	72	69	66	65	65
10	80	72	68	64	79	72	67	64	71	67	64	70	66	64	70	66	64	62	62