

ELM-LED-818

LED Emergency Light with Battery Back-Up & Remote Capable

Architectural

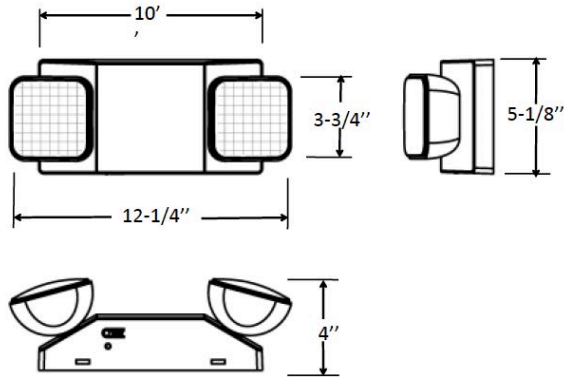
Catalog Number:

Project Name:

Type:

Note:

MAXILUME
ARCHITECTURAL LIGHTING



Features

This fixture is an excellent choice when an attractive emergency light is required. In cases of AC power loss, it provides a minimum of 90 minutes illumination. A trouble-free lead-calcium battery is provided with the fixture. The LED heads may be adjusted through the full range of motion because of the special swivel-track design

Housing

- Injection-molded thermoplastic ABS housing.
- Plastic enclosure with 5VA flame retardant.
- Quick connector design for easy installation.
- Two fully adjustable glare-free square shape light heads for emergency light.

Electrical

- AC 120-277V 60Hz dual voltage operation.
- Test switch and charge rate indicator.
- 3.6V long-life, maintenance-free, rechargeable Ni-Cad battery.
- 24 hours recharge after 90 minutes discharge.

Illumination

- SMD 2835 LED, CCT 6000K, L70 35,000 hours.
- 1 watts (6 LEDs) per head for standard model, fixture provide 200lm on initial discharge.
- 1.5 watts (9 LEDs) per head for high lumen model, fixture provide 300lm on initial discharge.

Mounting

- Suitable for wall mount and ceiling mount.
- Top and side knockout for conduit applications.

Options

- CT option with self-testing and self-diagnostics.
- Multi voltage option with 208/220/240VAC 50/60Hz input.

Listing

- Suitable for use in 10°C-40°C ambient temperature, suitable for damp location.
- UL and cUL listed and meets or exceed all requirement in NFPA 70, NFPA 101 life safety code, suitable for U.S.A and Canada market.
- Meet CALIFORNIA ENERGY COMMISSION TITLE 20 APPLIANCE EFFICIENCY REGULATIONS.

ELM-LED-818 - ITEM SELECTOR: (Please check the boxes below for the option desired)

HOUSING COLOR	CANOPY	OPTIONS
<input type="checkbox"/> W - White <input type="checkbox"/> B - Black	UNIVERSAL MOUNT TO WALL OR CEILING	<input type="checkbox"/> HL - High Lumen 1.5w per head <input type="checkbox"/> SDT - Self Diagnostic <input type="checkbox"/> SPV - 208/220/240 volt, 50/60Hz

Specified:

ELM-LED-818

HOUSING COLOR

MAXILUME
ARCHITECTURAL LIGHTING

A division of
Elite Lighting

Submittal form is available @ www.maxilume.com
Tel: 323-888-1973 • Fax: 323-888-1977

Specifications and Dimensions
subject to change without notice.

REV: MAXILUME-SPEC-03-07-2022