

24

Voltage

4.8

Watts/Ft

50,000

Life (hours)

CW/WW

LED Type



Listing

LB102-SM (Indoor)

Features:

- Make use of Smart Dim LED which size is 3.5mm x 2.8mm x 1.85mm
- The height is 4.5mm only; can be used in small areas
- Super bright 3528 SMD LED
- Excellent flexibility
- Transparent silicone tube, UV resistant
- CCT range 2700K to 6500K, CRI 90 and lumen output of 800L

Applications:

- Elite LED tape light is offered with a constant voltage Electronic LED power supply.
- Elite LED tunable white (SMD) tape light controller has 6 different modes and can be controlled via a remote control device. (part number LB-2819SCCT Controller).
- Forward Voltage Drop: 1.92-2.2 V

No. of LED/Foot	> 18
Wattage/Foot	> 4.8W
mA/Foot	> 360mA
Color Temperature	> CW-Cool White <input type="checkbox"/> WW-Warm White <input type="checkbox"/>
Beam Angle	> 120°
Spacing between LED's	> .65"
Cutting Lengths	> 2"
Max. Continuous Run (1 power)	> 16 ft
Listing/Rating	> UL

*A single power supply can operate up to a 16' run of tape light at optimal lumen output. Extra power supply is suggested for each additional 16' run to maintain peak performance.

*On long runs it is suggested to split and apply the required power at both ends of tape light to keep the consistency of the light.

Descriptions:

Just one quarter inch high and one third of an inch wide, these strip lights can be installed easily in any indoor interior, from homes and retail locations.

Interconnectors

LB102-SMD-ACC-5



LB102-SMD-ACC-4



Power connectors

LB102-SMD-ACC-9



LB102-SMD-ACC-8



Coupling

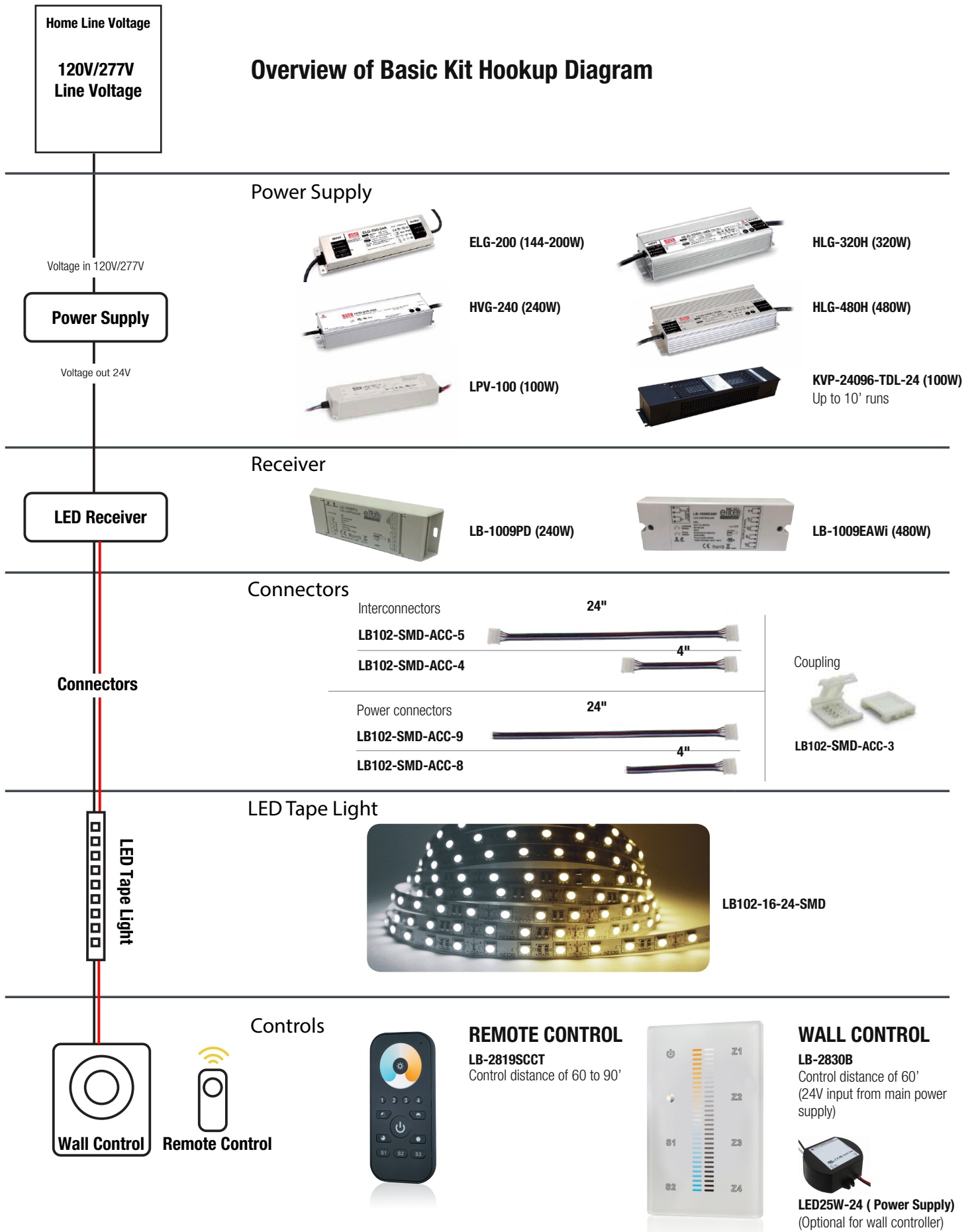


LB102-SMD-ACC-3

ORDERING SAMPLE: LB102-16-SMD

SERIES	LENGTH	VOLTAGE	COLOR	CONTROLLER OPTIONS	RECEIVER	ACCESSORIES
LB102	16-16'	24V	SM	REMOTE CONTROL	<input type="checkbox"/> LB-1009PD (240W) <input type="checkbox"/> LB-1009EAWi (480W)	<input type="checkbox"/> LB102-SMD-ACC-4 4" interconnector <input type="checkbox"/> LB102-SMD-ACC-8 4" power connector <input type="checkbox"/> LB102-SMD-ACC-3 Coupling <input type="checkbox"/> LB102-SMD-ACC-5 24" Interconnector <input type="checkbox"/> LB102-SMD-ACC-9 24" power connector
				WALL MOUNTED CONTROLLER	POWER SUPPLY	<input type="checkbox"/> LB-2830B Control distance of 60' <input type="checkbox"/> ELG-200 (144-200W) <input type="checkbox"/> HVG-240 (240W) <input type="checkbox"/> LPV-100 (100W) <input type="checkbox"/> HLG-320H (320W) <input type="checkbox"/> HLG-480H (480W) <input type="checkbox"/> KVP-24096-TDL-24V (100W)

Overview of Basic Kit Hookup Diagram



LED
TAPE

RF WIRELESS WALL MOUNTED RGBW CONTROLLER

RF AND WIFI COLOR TUNING REMOTE CONTROL

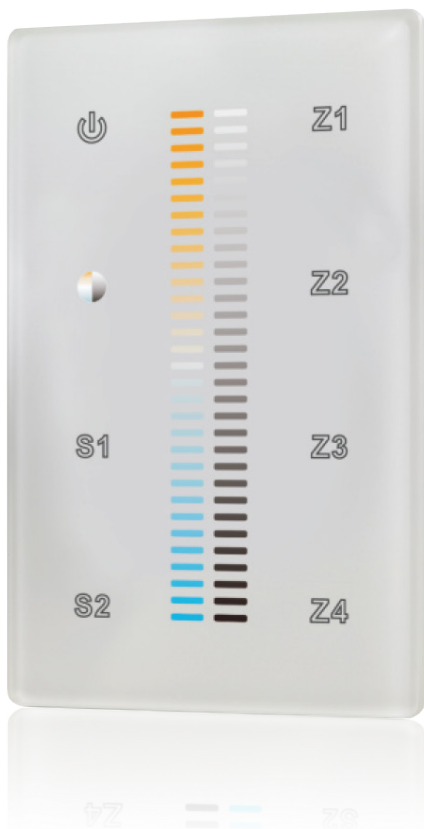


LB-2819SCCT FEATURES

- High sensitive & high stable touch color wheel ,fast &precise color control
- Touch the color wheel to choose the Kelvin you like
- Control 4 different zones separately or synchronously
- Can save 3 different kelvin/scenes you like for each zone
- RF Signal 20-30M
- Ideal for natural white-warm white & cold white to achieve precise adjustment of color temperature and brightness
- Each white can achieve 256 levels brightness adjustment, so there are millions of color temperature optional
- Dim brightness with 0.1% to 100%
- Memory function, remember the last Kelvin after turn off/ or cut off
- Each zone can be set endless receivers
- Each receiver maximally be controlled by 8 different remote controllers
- Receivers can work with WiFi-RF converter after installing software on IOS and Android system.

SERIES	VOLTAGE	RECEIVER
LB-2819SCCT	4.5VDC (3*1.5V AAA BATTERIES)	LB-1009PD LB-1009EAWi

RF AND WIFI COLOR TUNING WALL MOUNTED CONTROLLER



LB-2830B FEATURES

- High sensitive & high stable Glass touch color line in the middle .fast &precise color control.
- Touch the color line in the middle to choose the kelvin you like.
- Ideal for Dual colors led lights-warm white & cold white.
- Control 4 zones separately or synchronously.
- Save 2 kelvin/scenes you like for each zone
- Each white can achieve 256 levels brightness adjustment, so there are millions of color temperature optional.
- Remote control with 60 feed control distance.
- Memory function, remember the last kelvin after turn off/or cut off.
- Each zone can be set endless receivers.
- Each receiver maximally be controlled by 8 different remote controllers
- Works with LB-1009PD or LB-1009EAWi series receivers.

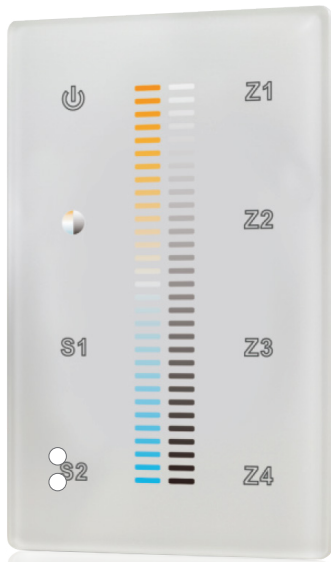
SERIES	VOLTAGE	RECEIVER
LB-2830B	12-24VDC	LB-1009PD LB-1009EAWi

LED

TAPE

LB-LED FLEXIBLE LED TAPE LIGHT

RF WIRELESS WALL MOUNTED COLOR TUNING CONTROLLER



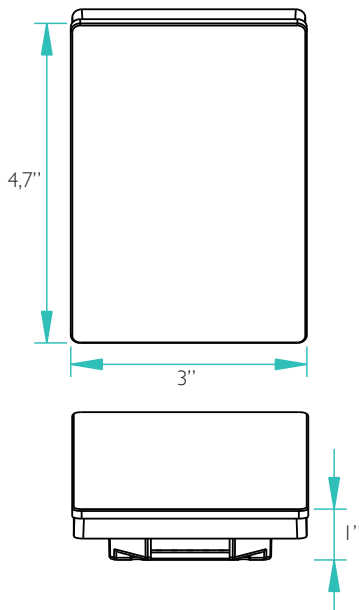
FEATURES

- AC or DC input
- Wall mounted CCT dimmer
- 4 zones
- Save 2 scenes
- Black/white color for option
- Work with receiver LB-1009EAWi.

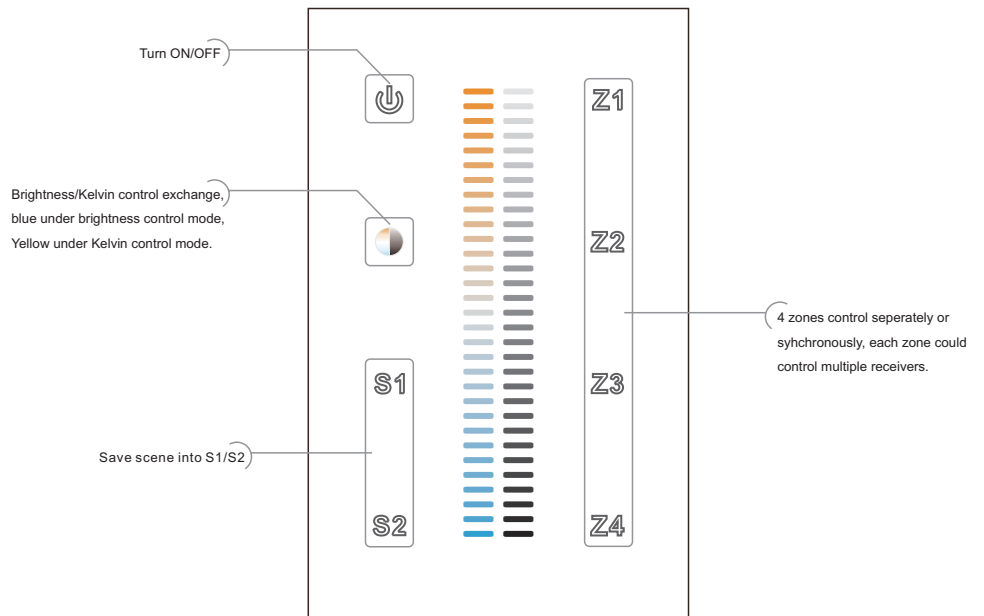


SERIES	VOLTAGE	OPERATION FREQUENCY	TEMPERATURE	APPROVAL
LB-2830B	12-24VDC	434MHz/868MHz	-20°C~+50°C	CE, FCC, RoHS

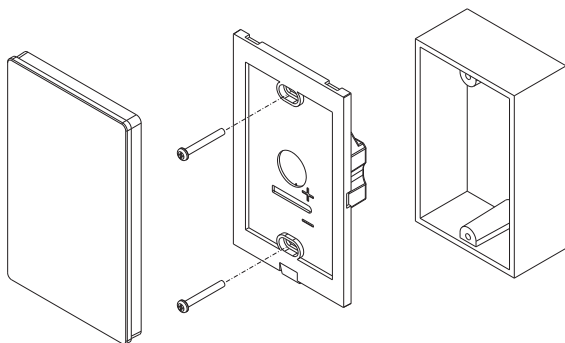
DIMENSIONS



BUTTON INSTRUCTIONS

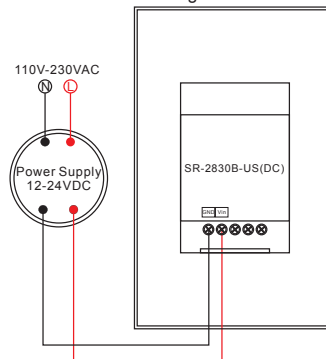


INSTALLATION



SENDER WIRING DIAGRAM

Sender Connection Diagram



LED

TAPE

RF WIFI WALL MOUNTED COLOR TUNING CONTROLLER

LB-1009PD RECEIVER



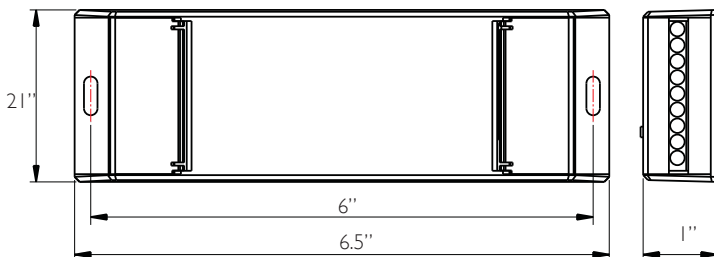
FEATURES

- RF receiver, 24V, 240W
- 100 feet continuous runs
- Signal repeater to avoid voltage drop

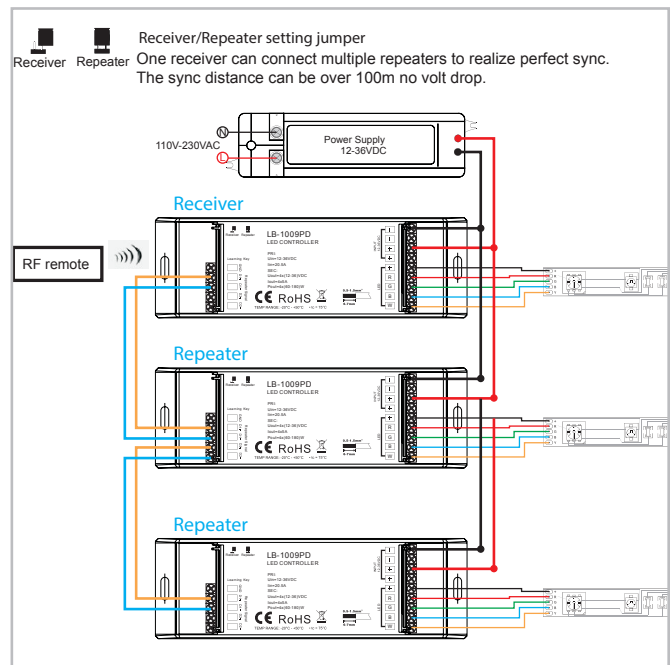
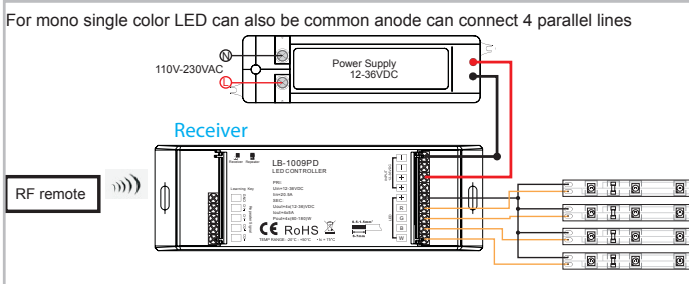
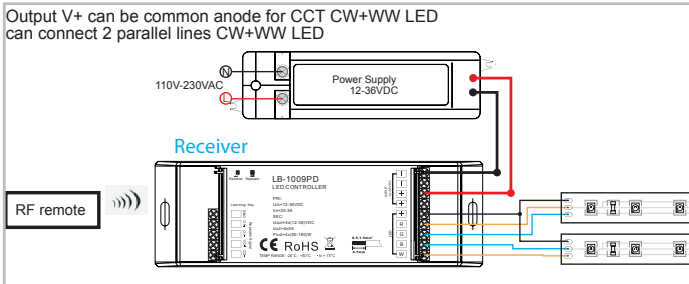
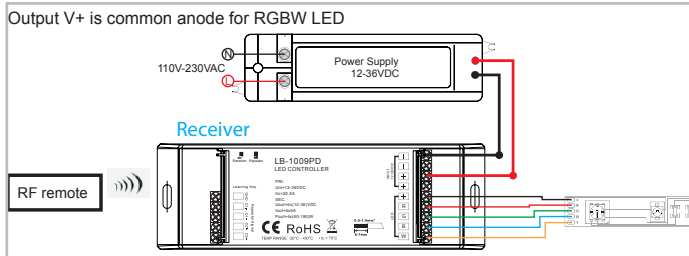


SERIES	VOLTAGE	MAX LOAD	OUTPUT	LOAD TYPE
LB-1009PD	12-36VDC	4ch x 5A	240W	REGULAR LED(0.04-0.1W)

DIMENSIONS



WIRING DIAGRAM



LED
TAPE

SR-1009PD RECEIVER

LB-1009EAWi RECEIVER



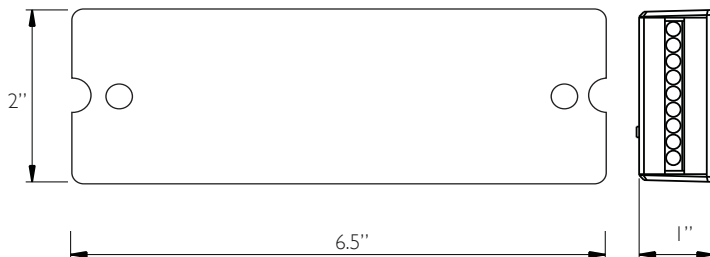
FEATURES

- RF receiver, 24V, 480W
- 170 feet continuous runs
- Signal repeater to avoid voltage drop

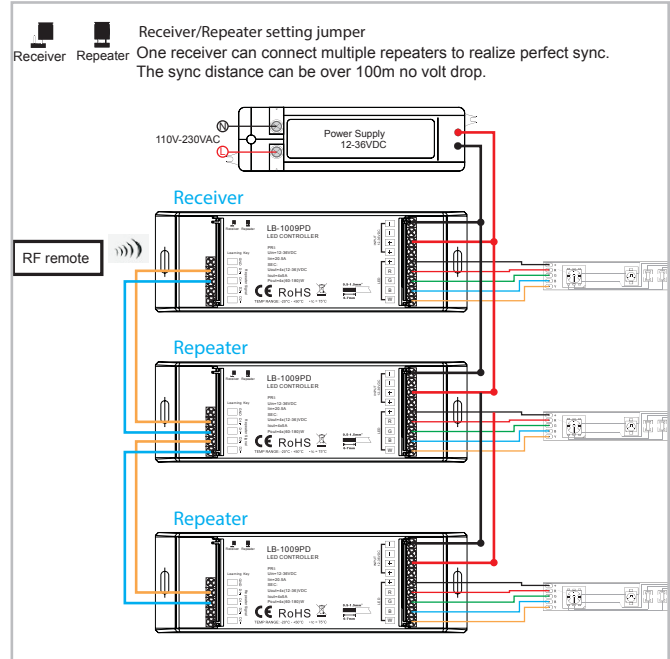
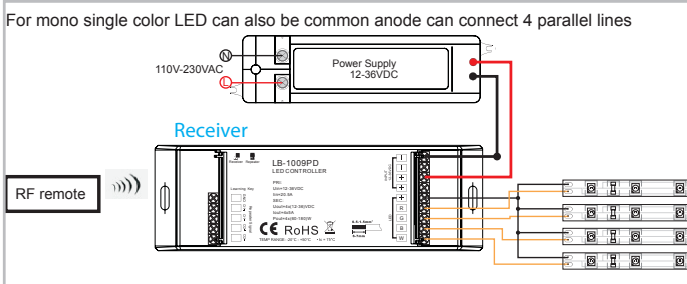
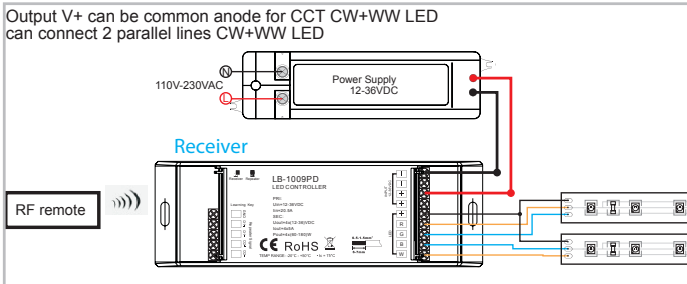
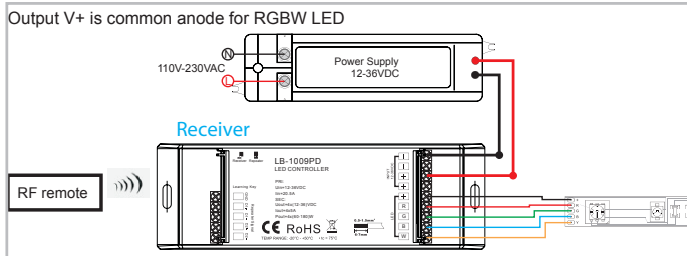


SERIES	VOLTAGE	MAX LOAD	OUTPUT	LOAD TYPE
LB-1009EAWi	12-36VDC	4ch x 8A	480W	REGULAR LED(0.04-0.1W)

DIMENSIONS



WIRING DIAGRAM



LED
TAPE

SR-1009EAPD RECEIVER