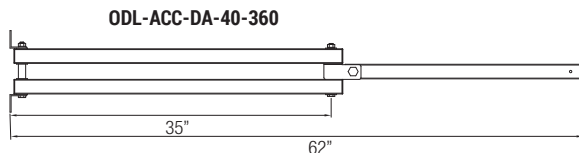
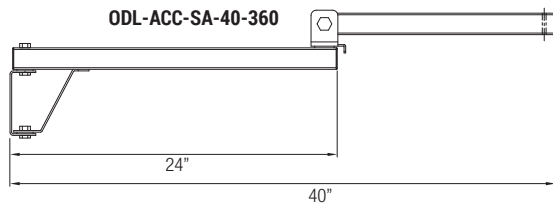
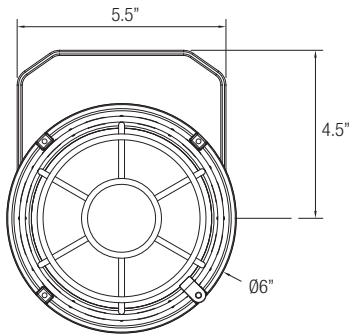
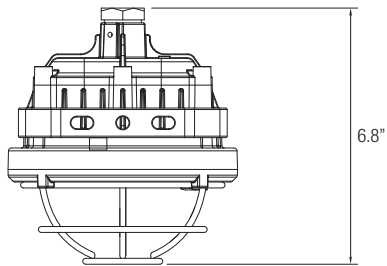


**DIMENSIONS**



NOMINAL LUMENS	DELIVERED LUMENS	WATTAGE
2600	2674	24W

Based on 5000K, 80+ CRI. Actual wattage may vary +/- 5%

**FEATURES**

The ODL1 Loading Dock Light series has a durable, flexible design, with impact resistance and ultimate thermal management perfect for withstanding harsh loading dock environments. Reinforcement brackets, option for double strut construction, and 360° rotation provide maximum support to arm and head, allowing for sturdiness with no bending or alteration over time. High-performance polycarbonate lamp heads and heavy-duty steel arms and struts are made to last and mount quickly. Spring arm option helps safeguard against overhead door and fork truck impacts. The ODL1 Loading Dock Light is ideal for achieving maximum productivity, safety, and energy efficiency at loading docks and for illuminating tractor trailer interiors.

LUMENS	2600
CCT & DYNAMIC PLATFORMS	50K
CRI	70+
TEMPERATURE	-40°C to 45°C (-40°F to 113°F)
WORKING HUMIDITY	30% to 90%
LIFETIME	L70 at 50,000 Hours
PHOTOMETRIC TESTS	In Accordance with IES LM79-08, LM80 and TM-30, TM-21



**ODL-ACC-SA-40-360**



**ODL-ACC-DA-40-360**

**OPTICS SYSTEM**

Polycarbonate lamp head standard.

**MAINTENANCE**

No need for light bulb replacement or maintenance. Reduces installation time by reusing existing arms; Attaches directly to standard dock light arms for easy retrofit.

**AIMING**

Available in two bracket options 1) 40-inch single swing arm with 360° rotation and 2) 60-inch double strut arm with 360° rotation.

**CONSTRUCTION**

Die-cast aluminum housing. Heavy duty 1 1/2" square steel arms and struts, 14-gauge tubing, 40" or 60" overall reach. All hardware is corrosion resistant. Hinged ends internally secured with aluminum inserts. Easily adjustable electrical cord lengths are secured with grommets.

**MOUNTING**

Designed for wall or post mounting. Requires a flat vertical surface of 5 inches wide and 20 inches high. If installing numerous fixtures, use the support bracket (from a fixture) as a template to create mounting holes. Four 1/3-inch bolts are required for mounting. For full safety, mount the bottom of the bracket approximately 6 feet 9 inches from the floor.

**DRIVER ELECTRICAL INFORMATION**

The LED driver is rated for 50 to 60Hz at 120V/277V input, produces less than 20% THD, has a power factor between 90% and 100%. Thermally protected for additional safety.

**WARRANTY**

Five-year carefree warranty for parts and components. (Labor not included.)

**LISTINGS**

UL/C-UL listed to US and Canadian standards  
IP65 Rating  
ETL Listing

Example: **ODL1-LED-30W-MVOLT-50K**

SERIES	VOLTAGE	CCT	CRI	ACCESSORIES
<input type="checkbox"/> ODL1-LED-30W	<input type="checkbox"/> MVOLT	<input type="checkbox"/> 50K	<input type="checkbox"/> 70+	<input type="checkbox"/> ODL-ACC-SA-40-360 - Loading Dock Light Single Arm 360° Rotation <input type="checkbox"/> ODL-ACC-DA-40-360 - Loading Dock Light Double Arm 360° Rotation

**ODL1-LED-30W-MVOLT-50K**

INPUT WATTS: **23.9**

LUMENS: **2686**

CRI: **70**

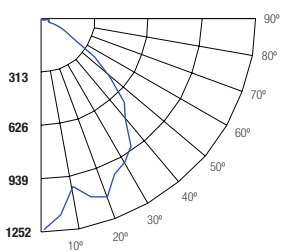
EFFICACY: **112**

CCT: **5000K**

TEST NO.: **EL082819158**

SPACING CRITERIA: **1.32**

**Candle Power Distribution (Candelas)**



**Zonal Lumens Summary**

Zone	Lumens	%Lamp	%Fixt
0-20	402.81	15.00	15.00
0-30	866.67	32.40	32.30
0-40	1436.45	53.60	53.50
0-60	2290.85	85.50	85.30
0-80	2514.16	93.80	93.60
0-90	2552.7	95.30	95.00

**Luminaire (Average candela/M<sup>2</sup>)**

Angle in Degrees	Average		
	0°	45°	90°
45	329091	327871	345831
55	205439	197699	190973
65	110835	113014	117299
75	72966	78521	87713
85	127330	129411	141037

**Lumens Per Zone**

Zone	Lumens
0-10	108.97
10-20	293.84
20-30	463.86
30-40	569.77
40-50	531.18
50-60	323.21
60-70	150.03
70-80	73.29
80-90	38.54

**Candela Tabulation**

θ	0	5	15	25	35	45	55	65	75	85	90
0	1210.207										
5	1096.170										
15	983.460										
25	1078.590										
35	885.550										
45	679.810										
55	344.240										
65	136.840										
75	55.170										
85	32.420										
90	30.560										

**Coefficients of Utilization - Zonal Cavity Method**

Effective Floor Cavity Reflectance 0.20

ROOM CAVITY RATIO	RC		80%				70%				50%				30%				10%				0%			
	RW	70%	50%	30%	10%	70%	50%	30%	10%	50%	30%	10%	50%	30%	10%	50%	30%	10%	50%	30%	10%	0%				
0		118	118	118	118	115	115	115	115	109	109	109	103	103	103	98	98	98	98	98	98	95				
1		109	105	102	98	106	103	99	96	98	95	92	93	91	89	89	87	87	85	83	83	83				
2		101	94	88	83	98	92	86	82	87	83	79	83	80	77	80	77	74	74	72	72	72				
3		93	84	77	71	90	82	75	70	78	73	68	75	70	66	72	68	65	62	62	62	62				
4		86	75	67	61	83	74	66	61	71	64	59	68	62	58	65	61	57	55	55	55	55				
5		80	68	60	54	77	66	59	53	64	57	52	61	56	51	59	54	50	48	48	48	48				
6		74	62	53	47	72	60	53	47	58	51	46	56	50	46	54	49	45	43	43	43	43				
7		69	56	48	42	67	55	47	42	53	46	41	51	45	41	50	44	40	38	38	38	38				
8		64	51	43	38	62	50	43	38	49	42	37	47	41	37	46	40	36	34	34	34	34				
9		60	47	40	34	58	46	39	34	45	38	34	44	38	33	42	37	33	31	31	31	31				
10		56	44	36	31	55	43	36	31	42	35	31	40	34	30	39	34	30	28	28	28	28				

RC - Ceiling Cavity Reflectance

RW - Wall Reflectance

Cone of Light			
2	303	4.3	4.3
4	75.6	8.5	8.7
6	33.6	12.8	13
8	18.9	17.1	17.3
10	12.1	21.4	21.6
12	8.4	25.6	26

(FT.) Distance to Plane    (FC.) Initial Footcandle at Nadir    (FT.) Beam Vert. Spread    (FT.) Beam Horiz. Spread

BEAM DIA. MEASURED AT 50% OF NADIR F.C.