

OFL-302-LED

LED Architectural Floodlight Series

up to 90 Wattage / up to 13000 Lumens

| | |
|------------------------|--------------|
| Catalog Number: | |
| Project Name: | |
| Note: | Type: |



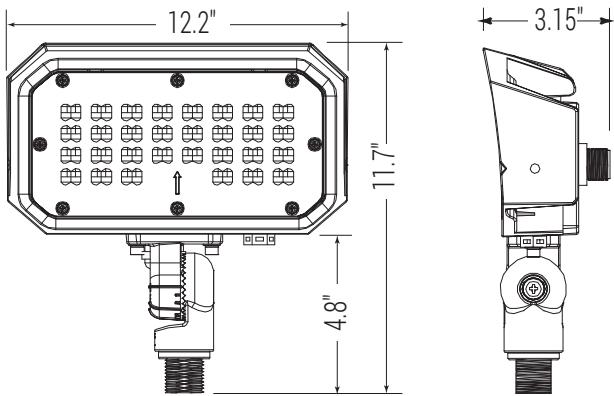
APPLICATIONS:

The architectural LED floodlight is the ideal compact solution when illuminating buildings, facades, displays, and small signage. Multiple lumen packages, standard 1-10V dimming, and four color temperatures provide the options needed for the design versatility that you crave. Long-lasting LEDs allow for years of maintenance free operation, saving time and money compared to traditional MH options.

FEATURES:

- Using the material of ADC 12 Aluminum alloy as radiator, the LED pin temperature does not exceed 65 °C
- Within 1000hrs, the light decay is less than 3%, while the traditional attenuation on of incandescent lamp is least 30%. It can light up to 8 years and equipped with a 5 years warranty.
- MVOLT 120-277V
- Light output from 13000 lm with efficacy up to 130L/W
- Fixtures are suitable for use in ambients from -34°C to 40°C (-30°F to 104°F)
- UL/cUL wet location listed

DIMENSION:



SPECIFICATIONS:

| | |
|-------------------------------|----------------------------|
| LUMENS | 9100 lumens / 13000 lumens |
| WATTAGE | 70W/ 90W |
| CCT | 40K, 50K |
| CRI | 70 |
| LIGHT EFFICIENCY | 130 lumens/watt |
| VOLTAGE | 120-277 VAC |
| POWER FREQUENCY | 50/60 Hz |
| FINISH | Bronze |
| APPLICABLE ENVIRONMENT | Dry/Damp/Wet location |
| WORKING TEMPERATURE | -40°C to 40°C |



* For list of qualified DLC fixture, please consult factory



Ordering Guide > Example: **OFL-302-LED-13000L-DIM10-MVOLT-40K-BZ**

| | | | | | | |
|--------------------|--|-----------------------|------------------|----------------------------|---------------|---|
| OFL-302-LED | | | | | | |
| SERIES | PERFORMANCE | DIMMING | VOLTAGE | CCT | FINISH | MOUNTING |
| OFL-302-LED | 9100L - 9100 lumens 13000L - 13000 lumens | DIM10 - 1-10V Dimming | MVOLT - 120-277V | 40K - 4000K 50K - 5000K | BZ - Bronze | OFL-302-LED-ACC-1 - TRUNNION BRACKET OFL-302/402-LED-ACC-2 - SLIP FITTER |



Submittal form is available @ www.oraclelighting.com
Tel: 323-888-1973 • Fax: 323-888-1977

Specifications and Dimensions subject to change without notice.

Issued-B1118-Rev. 1

OFL-302-LED

LED Architectural Floodlight Series

Catalog Number:

Project Name:

Note:

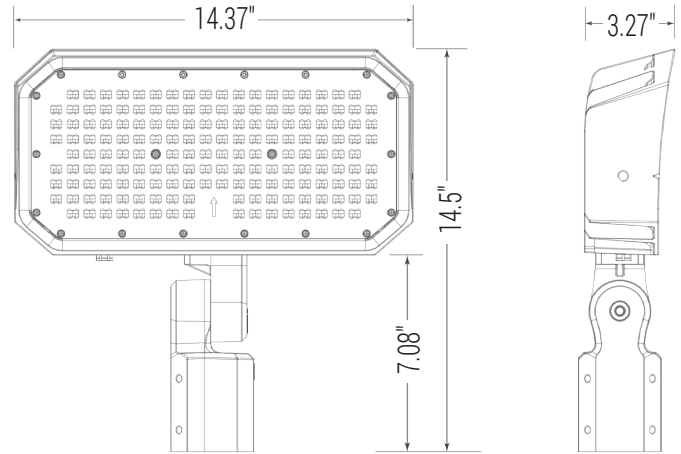
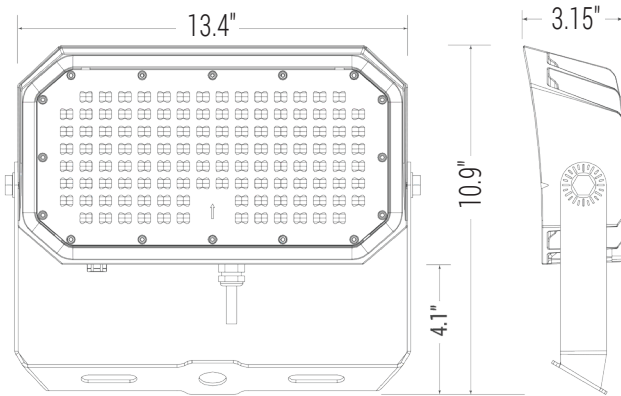
Type:



OFL-302-LED-ACC-1
TRUNNION BRACKET



OFL-302/402-LED-ACC-2
SLIP FITTER

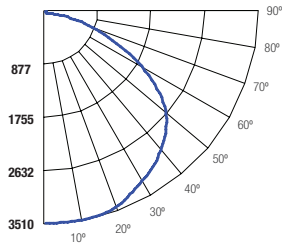


OFL-302-LED-9100L-DIM10-MVOLT-40K-BZ

TEST NO.: EL05042000

INPUT WATTS: **72.2659** LUMENS: **10816** CRI: **N/A** EFFICACY: **150** CCT: **4000K** SPACING CRITERIA: **1.58**

Candle Power Distribution (Candelas)



Zonal Lumens Summary

| Zone | Lumens | %Lamp | %Fixt |
|------|----------|--------|-------|
| 0-20 | 1313.11 | 12.80 | 12.10 |
| 0-30 | 2867.62 | 27.90 | 26.50 |
| 0-40 | 4871.02 | 47.40 | 45.00 |
| 0-60 | 8836.36 | 86.00 | 81.70 |
| 0-80 | 10600.39 | 103.10 | 98.00 |
| 0-90 | 10695.44 | 104.10 | 98.90 |

Luminance (Average candela/M²)

| Angle in Degrees | Average | | |
|------------------|---------|-------|-------|
| | 0° | 45° | 90° |
| 45 | 58984 | 79699 | 73852 |
| 55 | 39197 | 80107 | 74157 |
| 65 | 25967 | 69535 | 62123 |
| 75 | 15985 | 45958 | 42421 |
| 85 | 3504 | 9104 | 29248 |

Lumens Per Zone

| Zone | Lumens |
|-------|---------|
| 0-10 | 334.04 |
| 10-20 | 979.07 |
| 20-30 | 1554.51 |
| 30-40 | 2003.41 |
| 40-50 | 2132.63 |
| 50-60 | 1832.7 |
| 60-70 | 1215.63 |
| 70-80 | 548.41 |
| 80-90 | 95.04 |

Candela Tabulation

| Zone | Lumens | Candela |
|------|----------|---------|
| 0 | 3505.600 | 0 |
| 5 | 3500.100 | 5 |
| 15 | 3418.100 | 15 |
| 25 | 3384.700 | 25 |
| 35 | 3182.200 | 35 |
| 45 | 2263.600 | 45 |
| 55 | 1220.200 | 55 |
| 65 | 595.600 | 65 |
| 75 | 224.540 | 75 |
| 85 | 16.577 | 85 |
| 90 | 15.884 | 90 |

Coefficients of Utilization - Zonal Cavity Method

Effective Floor Cavity Reflectance 0.20

| RC | 80% | | | | 70% | | | | 50% | | | | 30% | | | | 10% | | | | 0% | | | |
|----|-----|-----|-----|-----|-----|-----|-----|-----|-----|-----|-----|-----|-----|-----|-----|-----|-----|-----|-----|-----|-----|-----|--|--|
| | RW | 70% | 50% | 30% | 10% | 70% | 50% | 30% | 10% | 50% | 30% | 10% | 50% | 30% | 10% | 50% | 30% | 10% | 50% | 30% | 10% | 0% | | |
| 0 | 125 | 125 | 125 | 125 | 122 | 122 | 122 | 122 | 116 | 116 | 116 | 111 | 111 | 111 | 106 | 106 | 106 | 106 | 106 | 106 | 106 | 104 | | |
| 1 | 115 | 110 | 106 | 102 | 112 | 108 | 104 | 100 | 103 | 100 | 97 | 99 | 96 | 94 | 95 | 93 | 91 | 89 | 89 | 89 | 89 | 89 | | |
| 2 | 105 | 96 | 89 | 84 | 102 | 94 | 88 | 83 | 90 | 85 | 80 | 87 | 82 | 78 | 83 | 80 | 77 | 74 | 74 | 74 | 74 | 74 | | |
| 3 | 96 | 85 | 76 | 70 | 93 | 83 | 75 | 69 | 80 | 73 | 68 | 77 | 71 | 66 | 74 | 69 | 65 | 63 | 63 | 63 | 63 | 63 | | |
| 4 | 87 | 75 | 66 | 59 | 85 | 74 | 65 | 58 | 71 | 63 | 58 | 68 | 62 | 57 | 66 | 60 | 56 | 53 | 53 | 53 | 53 | 53 | | |
| 5 | 80 | 67 | 58 | 51 | 78 | 68 | 57 | 50 | 63 | 56 | 50 | 61 | 54 | 49 | 59 | 53 | 48 | 46 | 46 | 46 | 46 | 46 | | |
| 6 | 74 | 60 | 51 | 44 | 72 | 59 | 50 | 44 | 57 | 49 | 43 | 55 | 48 | 43 | 53 | 47 | 42 | 40 | 40 | 40 | 40 | 40 | | |
| 7 | 69 | 54 | 45 | 39 | 67 | 53 | 45 | 39 | 52 | 44 | 38 | 50 | 43 | 38 | 49 | 42 | 37 | 35 | 35 | 35 | 35 | 35 | | |
| 8 | 64 | 49 | 41 | 34 | 62 | 49 | 40 | 34 | 47 | 39 | 34 | 46 | 39 | 34 | 44 | 38 | 33 | 31 | 31 | 31 | 31 | 31 | | |
| 9 | 59 | 45 | 37 | 31 | 58 | 45 | 36 | 31 | 43 | 36 | 31 | 42 | 35 | 30 | 41 | 35 | 30 | 28 | 28 | 28 | 28 | 28 | | |
| 10 | 56 | 42 | 33 | 28 | 54 | 41 | 33 | 28 | 40 | 33 | 28 | 39 | 32 | 27 | 38 | 32 | 27 | 25 | 25 | 25 | 25 | 25 | | |

RC - Ceiling Cavity Reflectance

Cone of Light

| Beam Diameter (ft) | 2 | 4 | 6 | 8 | 10 | 12 |
|-------------------------------|------|------|------|------|------|------|
| Initial Footcandle at Nostril | 1213 | 322 | 140 | 78.1 | 50.9 | 35.1 |
| Initial Beam Vert. Spread | 4.1 | 7.9 | 12.0 | 16.1 | 19.9 | 24.0 |
| Initial Beam Horiz. Spread | 6.3 | 12.2 | 18.5 | 24.7 | 30.7 | 36.9 |

BEAM DIA. MEASURED AT 50% OF MADIR F.C.



Submission form is available @ www.oraclelighting.com
Tel: 323-888-1973 • Fax: 323-888-1977

Specifications and Dimensions subject to change without notice.