

# OVR-101-LED

LED Small Square Canopy Series

**up to 60 Wattage / up to 8000 Lumens**

Catalog Number:

Project Name:

Note:

Type:



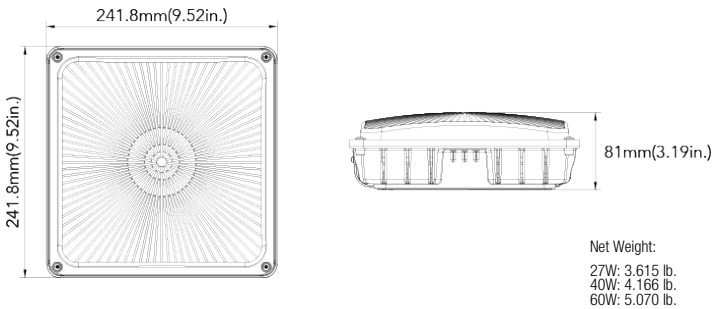
## APPLICATIONS:

The Oracle LED Canopy Light is designed to provide an aesthetically pleasing low-profile luminaire that produces a high light output while keeping energy and maintenance costs low. Ideal for parking garages, walkways, storage areas, underpasses, and stairwells.

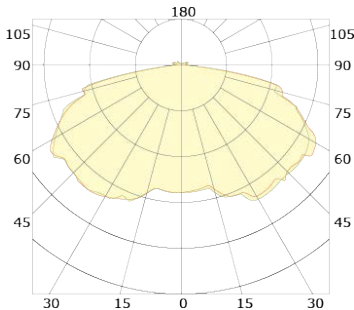
## FEATURES:

- Sealed die-casting profile for outdoor applications
- MVOLT (120-277V)
- Lumen output from 4000-8000Lm with efficacy up to 141lm/W
- Increase energy savings with optional bi-level motion sensor
- Replacing 100W MH and 175W MH saving over 75% energy consumption
- Operating temperature is -40°C to 40°C (-40°F to 104°F)
- UL/cUL wet location
- DLC premium qualified\*\*

## DIMENSION:



## PHOTOMETRICS:



## SPECIFICATIONS:

<b>LUMENS</b>	4000 / 6000 / 8000 lumens
<b>WATTAGE</b>	27W / 40W / 60W
<b>CCT</b>	40K, 50K
<b>CRI</b>	70
<b>LIGHT EFFICIENCY</b>	130 lumens/watt
<b>VOLTAGE</b>	120-277 VAC
<b>POWER FREQUENCY</b>	50/60 Hz
<b>FINISH</b>	Bronze, White, Black
<b>APPLICABLE ENVIRONMENT</b>	Dry/Damp/Wet location
<b>WORKING TEMPERATURE</b>	-40°C to 40°C



\* For list of qualified DLC fixture, please consult factory

Ordering Guide > Example: **OVR-101-LED-6000L-DIM10-MVOLT-40K-O-EMG-LED-BZ**

<b>OVR-101-LED</b>							
<b>SERIES</b>	<b>PERFORMANCE</b>	<b>DIMMING</b>	<b>VOLTAGE</b>	<b>CCT</b>	<b>FINISH</b>	<b>EMERGENCY</b>	<b>OPTION</b>
<b>OVR-101-LED</b>	<b>4000L</b> - 3750 lumens <b>6000L</b> - 5350 lumens <b>8000L</b> - 7800 lumens	<b>DIM10</b> - 0-10V Dimming	<b>MVOLT</b> - 120-277V	<b>40K</b> - 4000K <b>50K</b> - 5000K	<b>BZ</b> - Bronze <b>WH</b> - White <b>BK</b> - Black	<b>O-EMG-LED</b>	<b>MS</b> - Motion Sensor

\*\* DesignLights Consortium® (DLC) qualified product. Not all versions of this product may be DLC qualified. Please check the DLC Qualified Products List at [www.designlights.org](http://www.designlights.org) to confirm which versions are qualified.



Submission form is available @ [www.oraclelighting.com](http://www.oraclelighting.com)  
 Tel: 323-888-1973 • Fax: 323-888-1977

Specifications and Dimensions subject to change without notice.

Issued-B1118-Rev. 1