

OWP-FC-311-LED

LED Large Full Cut-Off Wall Pack Series

up to 135 Wattage / up to 18000 Lumens

Catalog Number:

Project Name:

Note:

Type:



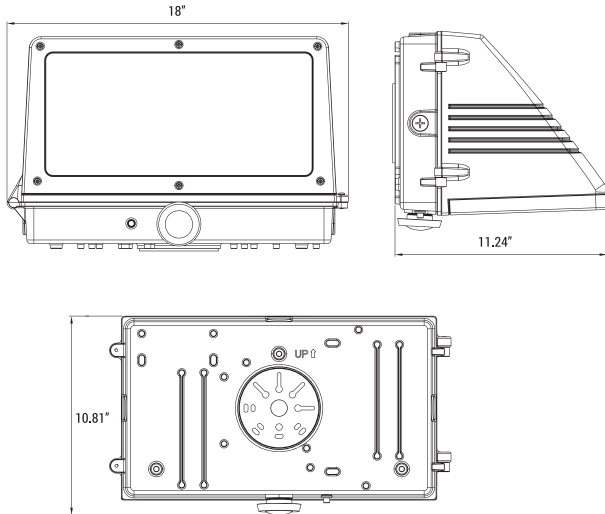
APPLICATIONS:

This rugged large size full cut-off LED wall pack provides long lasting, energy efficient lighting with a variety of options to customize fixture performance to the required task. Easily mounts to building and is ideal for industrial, educational, multi-family, institutional, and government applications.

FEATURES:

- Full cut-off and compliance to Dark Sky requirement
- Lumen output from 10000 - 18000lm with efficacy up to 137lm/W
- 77W-135W power consumption, to replace 250W MH and 400W MH
- Motion sensor and Photocell
- Optional battery back-up option for emergency egress lighting
- Type III polycarbonate optical lens with integrated lens
- Operating temperature is -40°C to 50°C (-40°F to 122°F)
- Dimmable
- UL/cUL wet location

DIMENSION:



SPECIFICATIONS:

LUMENS	10000 / 12000 / 14500 / 18000 lumens
WATTAGE	77W / 93W / 109W / 135W
CCT	40K-50K
CRI	80
LIGHT EFFICIENCY	up to 137 lumens/watt
VOLTAGE	120-277 VAC
POWER FREQUENCY	50/60 Hz
FINISH	Bronze
APPLICABLE ENVIRONMENT	Dry/Damp/Wet location
WORKING TEMPERATURE	-40°C to 50°C



Ordering Guide > Example: **OWP-FC-311-LED-18000L-DIM10-MVOLT-40K-BZ**

SERIES	PERFORMANCE	DIMMING	VOLTAGE	CCT	FINISH	EMERGENCY	ACCESSORIES
OWP-FC-311-LED	10000L - 10000 lumens 12000L - 12000 lumens 14500L - 14500 lumens 18000L - 18000 lumens	DIM10 - 0-10V Dimming	MVOLT - 120-277V	40K - 4000K 50K - 5000K	BZ - Bronze	0-EMG-LED	WPPHC - Photocell WPMS - Motion Sensor FSP311-B - High/Low PIR Fixture Mount Sensor Line Voltage with bluetooth control option. FSP211 - High/Low PIR Fixture Mount Sensor Line Voltage ZLDUZ-10W - IP66 PIR Integrated Sensors with Bluetooth™ Connectivity and UV Stable Plastic

* For more options, consult factory



Submittal form is available @ www.oraclelighting.com
Tel: 323-888-1973 • Fax: 323-888-1977

Specifications and Dimensions subject to change without notice.

Issued-B1118-Rev. 1

OWP-FC-311-LED

LED Large Full Cut-Off Wall Pack Series

OWP-FC-311-LED-18000L-DIM10-MVOLT-50K-BK

TEST NO.: **EL10152092**

INPUT WATTS: **134.8**

LUMENS: **17245**

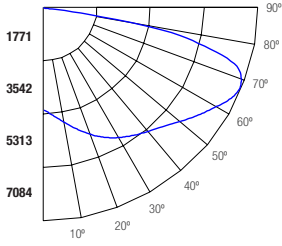
CRI: **N/A**

EFFICACY: **128**

CCT: **5000K**

SPACING CRITERIA: **1.86**

Candle Power Distribution (Candelas)



Zonal Lumens Summary

Zone	Lumens	%Lamp	%Fixt
0-20	1365.85	7.9	7.9
0-30	3152.84	18.3	18.3
0-40	5639.34	32.7	32.7
0-60	11991.93	69.5	69.5
0-80	16837.81	97.6	97.6
0-90	17055.42	98.9	98.9

Luminance (Average candela/M²)

Angle in Degrees	Average 0°	Average 45°	Average 90°
45	50221	60552	48386
55	55496	80578	57670
65	55895	106246	62631
75	9087	113909	37887
85	10346	26621	4977

Lumens Per Zone

Zone	Lumens
0-10	332.79
10-20	1033.06
20-30	1786.99
30-40	2486.5
40-50	3034.89
50-60	3317.7
60-70	3082.63
70-80	1763.25
80-90	217.61

Candela Tabulation

0	
0.0	3450.769
5.0	3761.94
15.0	4264.11
25.0	4852.42
35.0	5103.41
45.0	4953.37
55.0	4439.99
65.0	3294.94
75.0	328.04
85.0	125.77
90.0	55.84

Coefficients of Utilization - Zonal Cavity Method

Effective Floor Cavity Reflectance 0.20

RC RW	80%				70%				50%			30%			10%			0%
	70%	50%	30%	10%	70%	50%	30%	10%	50%	30%	10%	50%	30%	10%	50%	30%	10%	0%
0	119	119	119	119	116	116	116	116	111	111	111	106	106	106	101	101	101	99
1	107	102	97	93	104	100	95	91	95	91	88	91	88	85	87	85	83	80
2	96	87	79	73	93	85	78	72	81	75	70	77	72	68	74	70	66	64
3	86	75	65	58	84	73	64	58	70	62	56	67	60	55	64	59	54	52
4	78	65	55	48	76	63	54	47	61	53	46	58	51	46	56	50	45	42
5	71	57	47	40	69	56	47	40	53	45	39	51	44	38	49	43	38	36
6	65	51	41	34	63	50	40	34	48	39	33	46	38	33	44	37	32	30
7	60	45	36	29	58	45	36	29	43	35	29	41	34	28	40	33	28	26
8	56	41	32	26	54	40	32	25	39	31	25	37	30	25	36	30	25	23
9	52	37	29	23	50	37	28	23	35	28	22	34	27	22	33	27	22	20
10	48	34	26	20	47	34	26	20	33	25	20	31	25	20	30	24	20	18

RC - Ceiling Cavity Reflectance

RW - Wall Reflectance