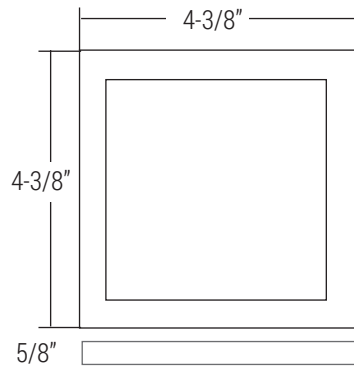




EASY 3 COLORS
SELECCTOR
 3000K • 4000K • 5000K



FEATURES

The Elite LED Slim Surface Mount has been engineered to install into most standard junctionboxes. Up to 600 usable lumens are directed from the luminaire to the work surface. Easy to install, applicable to junction box or recessed can installation.

LUMENS	600
CCT	30K/40K/50K
CRI	90+
COLOR QUALITY	3-Step MacAdam Ellipse
DIMMING	DIMTR (Triac Dimming)
FINISH	WH (White), BK (Black), SN (Satin Nickel), BZ (Bronze)
LIFETIME	50,000 Hours

OPTICS

The Elite LED Module system is much more than just a simple LED retrofit. The Elite LED system is a highly engineered work of design and optical science which produces up to 600 lumens. Our meticulously crafted optics gather the light scattered by the LED chip and shape it into a functional beam with uniform light distribution.

DIMMING

Intended for Triac (120V) based on configuration. Minimum 90° supply conductors.

COMPLIANCE

Non-conductive fixture for shower light application. Product complies with the requirements of the California Energy Commission regulated under Title 24.

LISTING

ETL listed for damp location (wet location - with covered ceilings)
 Energy Star certified

WARRANTY

The Elite LED lighting system carries a five-year carefree warranty for parts and components. (Labor not included)

NOMINAL LUMENS	DELIVERED LUMENS	WATTAGE
600	552	10W

Based on 4000K, 90+ CRI. Actual wattage may vary +/- 5%

INSTALLATION

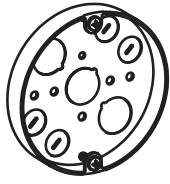
Cut hole in ceiling. Insert luminaire into opening by squeezing spring clips on both sides of luminaire. The width in ceiling needed for the driver to fit is 3".

You MUST seal all gaps between the ceiling and fixture with weatherproof silicone sealant. This deters moisture and water from damaging fixtures and other mechanical ceiling elements.

EXAMPLE: **RL495-600L-DIMTR-120-30K/40K/50K-90-WH**

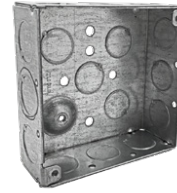
TYPE	LUMEN	CCT	CRI	FINISH
RL495	<input type="checkbox"/> 600L-DIMTR-120	<input type="checkbox"/> 30K/40K/50K	<input type="checkbox"/> 90+	<input type="checkbox"/> WH-White (standard) <input type="checkbox"/> RL495-RT-BK - Black Ring <input type="checkbox"/> RL495-RT-SN - Satin Nickel Ring <input type="checkbox"/> RL495-RT-BZ - Bronze Ring



MOUNTING

**Pancake J-Box
(Metal)**

**3.5" Round
(Plastic)**

**4" Square
(Plastic)**

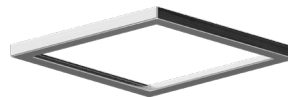
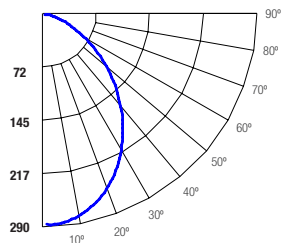
**4" Octagonal
(Metal)**

**4" Square
(Metal)**

**Fire Rated
J-Box**

Note: A 2-1/8" deep octagon junction box is recommended for through circuit wiring applications.

RING COLORS

**RL495-RT-BK
Black**

**RL495-RT-BZ
Bronze**

**RL495-RT-SN
Satin Nickel**
RL495-600L-DIMTR-120-30K-40K-50K-90-WH
TEST NO.: EL06191952
INPUT WATTS: 10.1842
LUMENS: 552
CRI: 90
EFFICACY: 54
CCT: 4000K
SPACING CRITERIA: 1.20
Candle Power Distribution (Candelas)

Zonal Lumens Summary

Zone	Lumens	%Lamp	%Fixt
0-20	102.61	18.60	18.60
0-30	209.84	38.00	38.00
0-40	326.76	59.20	59.20
0-60	505.88	91.60	91.60
0-80	551.75	99.90	99.90
0-90	551.77	99.90	99.90

Luminance (Average candela/M²)

Angle in Degrees	Average		
	0°	45°	90°
45	671	670	686
55	500	499	520
65	298	293	326
75	55	51	78
85	1	1	1

Lumens Per Zone

Zone	Lumens
0-10	27.17
10-20	75.44
20-30	107.23
30-40	116.92
40-50	104.36
50-60	74.77
60-70	38.28
70-80	7.59
80-90	0.02

Candela Tabulation

Q	Candela
0	288.81
5	286.25
15	266.03
25	230.24
35	183.30
45	130.80
55	79.07
65	34.67
75	3.92
85	0.02
90	0.02

Coefficients of Utilization - Zonal Cavity Method
 Effective Floor Cavity Reflectance 0.20

RC	80%				70%				50%				30%				10%				0%			
	RW	70%	50%	30%	10%	70%	50%	30%	10%	50%	30%	10%	50%	30%	10%	50%	30%	10%	50%	30%	10%	0%		
ROOM CAVITY RATIO	0	119	119	119	119	116	116	116	116	111	111	111	106	106	106	102	102	102	100	100	100	100		
1	111	107	104	101	109	105	102	100	100	99	99	96	97	95	93	94	92	91	89	89	89	89		
2	103	96	91	86	100	94	89	85	91	87	83	88	84	81	85	82	79	77	77	77	77	77		
3	95	86	79	74	93	85	78	73	82	77	72	79	75	71	77	73	70	68	68	68	68	68		
4	88	78	70	64	86	76	69	64	74	68	63	72	67	62	70	65	61	60	60	60	60	60		
5	82	70	62	57	80	69	62	56	67	61	56	65	60	55	64	59	55	53	53	53	53	53		
6	76	64	56	50	74	63	56	50	61	55	50	60	54	49	58	53	49	47	47	47	47	47		
7	71	59	51	45	69	58	50	45	56	50	45	55	49	44	54	48	44	42	42	42	42	42		
8	66	54	46	41	65	53	46	41	52	45	40	51	45	40	50	44	40	38	38	38	38	38		
9	62	50	42	37	61	49	42	37	48	41	37	47	41	37	46	40	36	35	35	35	35	35		
10	58	46	39	34	57	46	39	34	45	38	34	44	38	34	43	37	33	32	32	32	32	32		

Cone of Light			
2	72.2	3.8	3.8
4	18.1	7.5	7.5
6	8.02	11.3	11.3
8	4.51	15.1	15
10	2.89	18.8	18.8
12	2.01	22.6	22.5

(FT.) Distance to Plane | (FC.) Initial Footcandle at Nadir | (FT.) Beam Vert. Spread | (FT.) Beam Horiz. Spread

BEAM DIA. MEASURED AT 50% OF NADIR F.C.

RC - Ceiling Cavity Reflectance

RW - Wall Reflectance