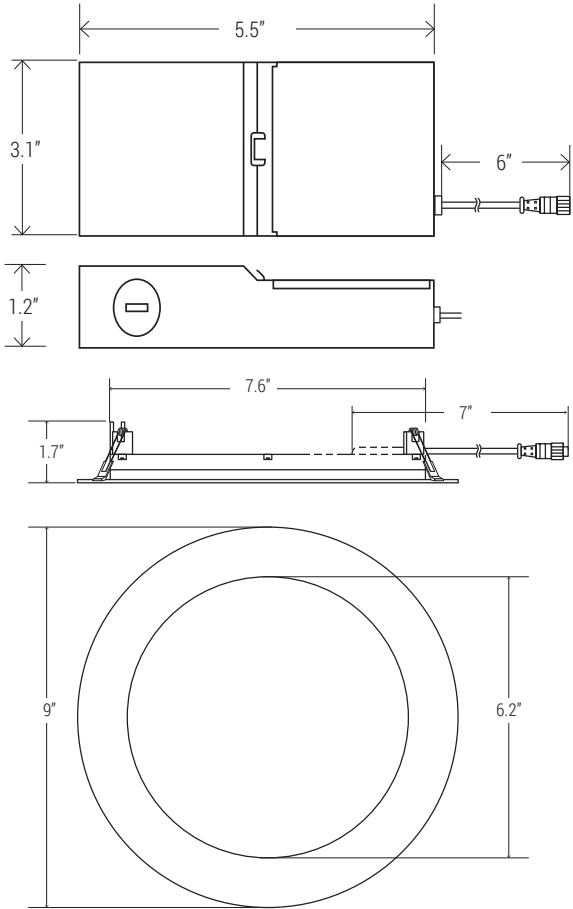




EASY 5 COLORS
SELECCTOR
2700K • 3000K • 3500K • 4000K • 5000K



FEATURES

8" round multi-CCT LED "Slim Disk" engineered for new construction, remodel, or retrofit to accommodate insulated or dropped ceilings. Recessed housing not required, especially with limited plenum applications. Easily access field-adjustable 5-Color SeleCCTor switch by lowering the luminaire from the opening. Remote driver allows easy installation and maintenance. Small aperture and shallow depth are ideal for unlimited applications.

LUMENS	1400
CCT	27K/30K/35K/40K/50K
CRI	90+
COLOR QUALITY	3-Step MacAdam Ellipse
CONSTRUCTION	Aluminum die-cast body and trim
TRIM OPTION	Round Flat Lens
TRIM COLORS	WH (White) , BK(Black), SN(Satin Nickel)
DIMMING	DIMTR (Triac), DIM10 (0-10V)
EMERGENCY	30W high voltage inverter or higher (IIS-35) (remote)
LIFETIME	L70 at 50,000 Hours
PHOTOMETRIC TESTS	In Accordance with IES LM79-08, LM80 and TM-30, TM-21

- IC-rated and Air-Tight ready and may be in direct contact with insulation.
- Can be installed in shallow plenum spaces.
- May be installed in drywall or suspended ceilings.
- Flicker-free 120V forward-phase Triac dimming down to 5%.
- Ideal when ceiling or top access is unavailable.

NOMINAL LUMENS	DELIVERED LUMENS	WATTAGE
1400	1733	18W

Based on 4000K, 90+ CRI. Actual wattage may vary +/- 5%

INSTALLATION

Cut hole in ceiling. Insert luminaire into opening by squeezing spring clips on both sides of luminaire. The width in ceiling needed for the driver to fit is 3".



SLIM TRIM



TRIM RINGS



RL875-RT-BK
(Black)



RL875-RT-SN
(Satin Nickel)

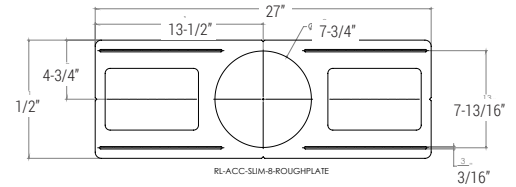
ACCESSORIES



RL-ACC-SLIM-1-10F
10-ft long extension



RL-ACC-SLIM-1-20F
20-ft long extension



RL-ACC-SLIM-8-ROUGHPLATE
Rough-in plate for use with 8" downlights

EXAMPLE:
RL875-1400L-DIMTR-120-27K/30K/35K/40K/50K-90-WH

TYPE	LUMEN	CCT	CRI	FINISH
RL875	<input type="checkbox"/> 1400L-DIMTR-120 <input type="checkbox"/> 1400L-DIM10-120-347	<input type="checkbox"/> 27K/30K/35K/40K/50K	<input type="checkbox"/> 90+	<input type="checkbox"/> WH - White

RL875-RT-BK

ACCESSORIES
<input type="checkbox"/> RL875-RT-BK - Black <input type="checkbox"/> RL875-RT-SN - Satin Nickel

RL-ACC-SLIM-1-10F

OPTIONS
<input type="checkbox"/> RL-ACC-SLIM-1-10F - 10ft Long Extension <input type="checkbox"/> RL-ACC-SLIM-1-20F - 20ft Long Extension <input type="checkbox"/> RL-ACC-SLIM-8-ROUGHPLATE - 8" Mounting Plate

RL875-1400L-DIMTR-120-27K-27K-30K-35K-40K-50K-90-WH

TEST NO.: **EL082319127**

INPUT WATTS: **17.6734**

LUMENS: **1733**

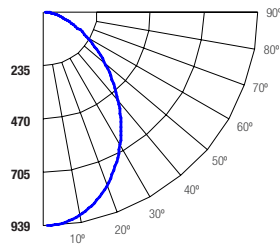
CRI: **90**

EFFICACY: **98**

CCT: **4000K**

SPACING CRITERIA: **1.16**

Candle Power Distribution (Candelas)



Zonal Lumens Summary

Zone	Lumens	%Lamp	%Fixt
0-20	330.53	19.10	19.10
0-30	669.92	38.70	38.70
0-40	1031.4	59.50	59.50
0-60	1574.72	90.90	90.90
0-80	1731.42	99.90	99.90
0-90	1731.48	99.90	99.90

Luminance (Average candela/M²)

Angle in Degrees	Average		
	0°	45°	90°
45	9487	9556	9836
55	7136	7241	7547
65	4639	4779	5073
75	1509	1713	2112
85	8	8	8

Lumens Per Zone

Zone	Lumens
0-10	88.01
10-20	242.52
20-30	339.39
30-40	361.48
40-50	316.01
50-60	227.30
60-70	123.97
70-80	32.74
80-90	0.06

Candela Tabulation

θ	0
0	938.47
5	927.92
15	855.99
25	728.21
35	566.20
45	396.84
55	242.12
65	115.99
75	23.10
85	0.04
90	0.05

Coefficients of Utilization - Zonal Cavity Method

Effective Floor Cavity Reflectance 0.20

Cone of Light			
2	235	3.5	3.5
4	58.7	7.1	7.1
6	26.1	10.6	10.6
8	14.7	14.1	14.1
10	9.38	17.7	17.7
12	6.52	21.2	21.2

(FT) Distance to Plane (FC) Initial Footcandle at Nadir (FT) Beam Vert. Spread (FT) Beam Horiz. Spread

BEAM DIA. MEASURED AT 50% OF NADIR F.C.

RC	80%				70%				50%				30%				10%				0%			
	RW	70%	50%	30%	10%	70%	50%	30%	10%	50%	30%	10%	50%	30%	10%	50%	30%	10%	50%	30%	10%	0%		
ROOM CAVITY RATIO	0	119	119	119	119	116	116	116	116	111	111	111	106	106	106	102	102	102	102	102	102	100		
	1	111	107	104	101	109	105	102	99	101	99	96	97	95	93	94	92	91	89	89	89	89		
	2	103	96	91	86	100	94	89	85	91	87	83	88	84	81	85	82	79	77	77	77	77		
	3	95	86	79	74	93	85	78	73	82	76	72	79	75	71	77	73	70	68	68	68	68		
	4	88	78	70	64	86	76	69	64	74	68	63	72	67	62	70	65	61	60	60	60	60		
	5	82	70	62	57	80	69	62	56	67	61	56	65	60	55	64	59	55	53	53	53	53		
	6	76	64	56	50	74	63	56	50	61	55	50	60	54	49	58	53	49	47	47	47	47		
	7	71	59	51	45	69	58	50	45	56	50	45	55	49	45	54	48	44	42	42	42	42		
	8	66	54	46	41	65	53	46	41	52	45	41	51	45	40	50	44	40	38	38	38	38		
	9	62	50	42	37	61	49	42	37	48	42	37	47	41	37	46	41	37	35	35	35	35		
	10	59	46	39	34	57	46	39	34	45	38	34	44	38	34	43	38	34	32	32	32	32		

RC - Ceiling Cavity Reflectance

RW - Wall Reflectance