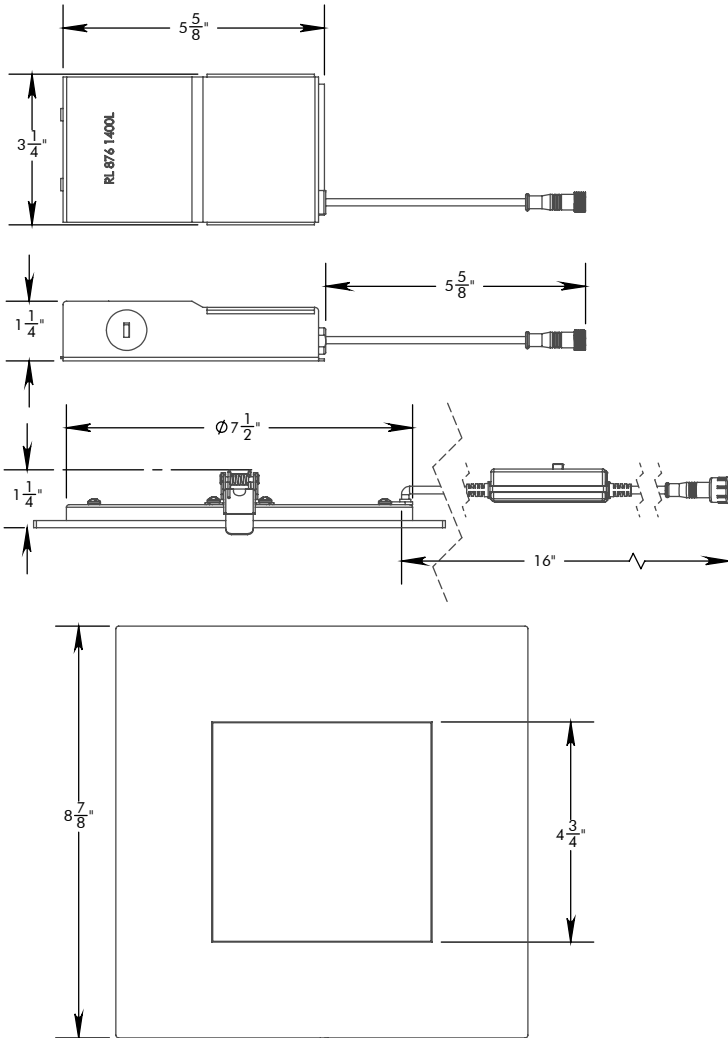


EASY 5 COLORS
SELECTOR
2700K • 3000K • 3500K • 4000K • 5000K



NOMINAL LUMENS	DELIVERED LUMENS	WATTAGE
1400	1574	17W

Based on 4000K, 90+ CRI. Actual wattage may vary +/- 5%

FEATURES

8" square slim multi-CCT LED luminaire engineered for new construction, remodel, or retrofit to accommodate insulated or dropped ceilings. Easily access field-adjustable 5-Color SeleCCTor switch by lowering the luminaire from the opening. Remote driver allows easy installation and maintenance. Small aperture and shallow depth are ideal for unlimited applications.

LUMENS	1400
CCT	27K/30K/35K/40K/50K
CRI	90+
COLOR QUALITY	3-Step MacAdam Ellipse
CONSTRUCTION	Aluminum die-cast body and trim
TRIM OPTION	Square Flat Lens
TRIM COLORS	WH (White), DIM10 (0-10V)
DIMMING	DIMTR (Triac)
EMERGENCY	30W high voltage inverter or higher (IIS-35) (remote)
LIFETIME	L70 at 50,000 Hours
PHOTOMETRIC TESTS	In Accordance with IES LM79-08, LM80 and TM-30, TM-21

- IC-rated and Air-Tight ready and may be in direct contact with insulation.
- Can be installed in shallow plenum spaces.
- May be installed in drywall or suspended ceilings.
- Flicker-free 120V forward-phase Triac dimming down to 5%.

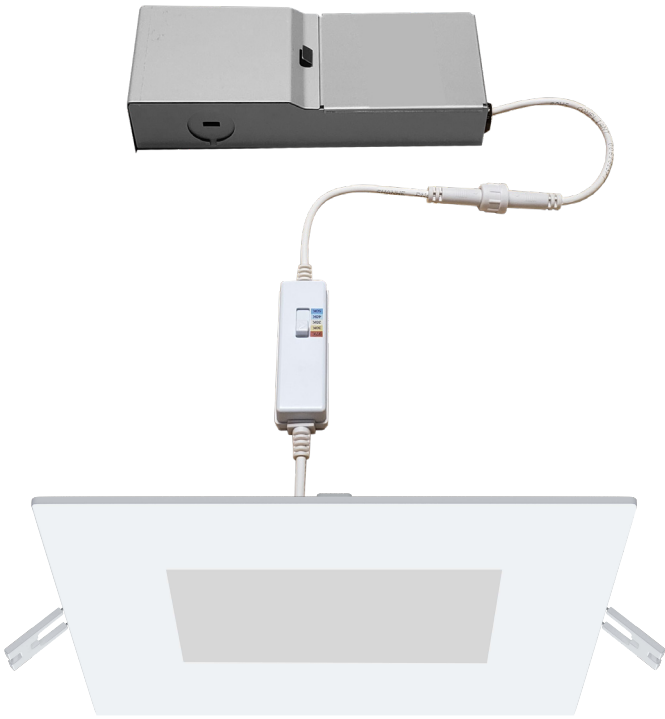
INSTALLATION

Cut hole in ceiling. Insert luminaire into opening by squeezing spring clips on both sides of luminaire. The width in ceiling needed for the driver to fit is 3".

You MUST seal all gaps between the ceiling and fixture with weatherproof silicone sealant. This deters moisture and water from damaging fixtures and other mechanical ceiling elements.

SLIM TRIM

ACCESSORIES



RL-ACC-SLIM-1-10F
10-ft long extension



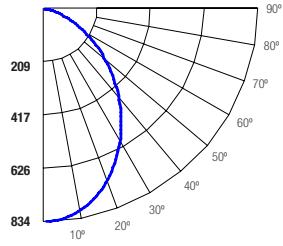
RL-ACC-SLIM-1-20F
20-ft long extension

EXAMPLE: **RL876-1400L-DIMTR-120-27K/30K/35K/40K/50K-90-WH**

TYPE	LUMEN	CCT	CRI	FINISH
RL876	<input type="checkbox"/> 1400L-DIMTR-120	<input type="checkbox"/> 27K/30K/35K/40K/50K	<input type="checkbox"/> 90+	<input type="checkbox"/> WH-White
	<input type="checkbox"/> 1400L-DIM10-120-347			

RL-ACC-SLIM-1-10F

OPTIONS
<input type="checkbox"/> RL-ACC-SLIM-1-10F - 10ft Long Extension
<input type="checkbox"/> RL-ACC-SLIM-1-20F - 20ft Long Extension
<input type="checkbox"/> RL-ACC-SLIM-8-SQ-ROUGHPLATE - 8" Mounting Plate

RL876-1400L-DIMTR-120-27K-27K-30K-35K-40K-50K-90-WH
TEST NO.: EL082319128
INPUT WATTS: 17.6165
LUMENS: 1574
CRI: 90
EFFICACY: 89
CCT: 4000K
SPACING CRITERIA: 1.18
Candle Power Distribution (Candelas)

Zonal Lumens Summary

Zone	Lumens	%Lamp	%Fixt
0-20	293.53	18.70	18.70
0-30	596.68	37.90	37.90
0-40	924.54	58.70	58.80
0-60	1431.43	91.00	91.00
0-80	1572.34	99.90	99.90
0-90	1572.39	99.90	99.90

Luminance (Average candela/M²)

Angle in Degrees	Average		
	0°	45°	90°
45	6870	6894	7121
55	5214	5265	5548
65	3238	3324	3623
75	841	947	1275
85	5	5	5

Lumens Per Zone

Zone	Lumens
0-10	78.13
10-20	215.41
20-30	303.15
30-40	327.86
40-50	293.05
50-60	213.83
60-70	113.86
70-80	27.05
80-90	0.05

Candela Tabulation

θ	0	5	15	25	35	45	55	65	75	85	90
0	833.49										
5	823.15										
15	758.02										
25	647.83										
35	511.32										
45	365.92										
55	225.27										
65	103.06										
75	16.40										
85	0.03										
90	0.04										

Coefficients of Utilization - Zonal Cavity Method
 Effective Floor Cavity Reflectance 0.20

RC	80%				70%				50%				30%				10%				0%
	RW	70%	50%	30%	10%	70%	50%	30%	10%	50%	30%	10%	50%	30%	10%	50%	30%	10%	0%		
0	119	119	119	119	116	116	116	116	111	111	111	106	106	106	102	102	102	102	100		
1	111	107	104	101	109	105	102	99	101	98	96	97	95	93	94	92	91	91	89		
2	103	96	90	86	100	94	89	85	91	86	83	88	84	81	85	82	79	77	77		
3	95	86	79	74	93	85	78	73	82	76	72	79	74	71	77	73	69	67	67		
4	88	77	70	64	86	76	69	64	74	68	63	72	66	62	70	65	61	59	59		
5	81	70	62	56	80	69	62	56	67	60	55	65	59	55	63	58	54	52	52		
6	76	64	56	50	74	63	55	50	61	54	49	60	54	49	58	53	49	47	47		
7	71	58	50	45	69	58	50	45	56	49	44	55	49	44	53	48	44	42	42		
8	66	54	46	41	65	53	46	40	52	45	40	51	44	40	49	44	40	38	38		
9	62	50	42	37	61	49	42	37	48	41	37	47	41	36	46	40	36	35	35		
10	58	46	39	34	57	45	38	34	45	38	34	44	38	33	43	37	33	32	32		

Cone of Light			
2	208	3.7	3.7
4	52.1	7.3	7.3
6	23.2	11	11
8	13	14.7	14.7
10	8.33	18.3	18.3
12	5.79	22	22

(Ft.) Distance to Plane (Ft.) Initial Footcandle at Nadir (Ft.) Beam Vert. Spread (Ft.) Beam Horiz. Spread

BEAM DIA. MEASURED AT 50% OF NADIR F.C.

RC - Ceiling Cavity Reflectance

RW - Wall Reflectance