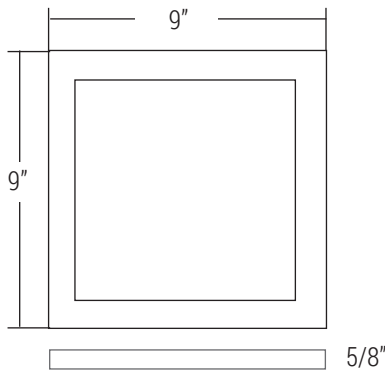




EASY 3 COLORS
SELECTOR
3000K • 4000K • 5000K



FEATURES

The Elite LED Slim Surface Mount has been engineered to install into most standard junctionboxes. Up to 1200 usable lumens are directed from the luminaire to the work surface. Easy to install, applicable to junction box or recessed can installation.

LUMENS	1200
CCT	30K/40K/50K
CRI	90+
COLOR QUALITY	3-Step MacAdam Ellipse
DIMMING	DIMTR (Triac Dimming)
FINISH	WH (White), BK (Black), SN (Satin Nickel), BZ (Bronze)
LIFETIME	50,000 Hours

OPTICS

The Elite LED Module system is much more than just a simple LED retrofit. The Elite LED system is a highly engineered work of design and optical science which produces up to 1200 lumens. Our meticulously crafted optics gather the light scattered by the LED chip and shape it into a functional beam with uniform light distribution.

DIMMING

Intended for Triac (120V) based on configuration. Minimum 90°C supply conductors.

COMPLIANCE

Non-conductive fixture for shower light application. Product complies with the requirements of the California Energy Commission regulated under Title 24.

LISTING

ETL listed for damp location (wet location - with covered ceilings)
Energy Star certified

WARRANTY

The Elite LED lighting system carries a five-year carefree warranty for parts and components. (Labor not included)

NOMINAL LUMENS	DELIVERED LUMENS	WATTAGE
1200	1325	19W

Based on 3000K, 90+ CRI. Actual wattage may vary +/- 5%

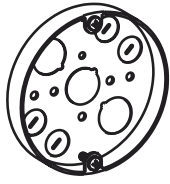
INSTALLATION

You MUST seal all gaps between the ceiling and fixture with weatherproof silicone sealant. This deters moisture and water from damaging fixtures and other mechanical ceiling elements.

EXAMPLE: **RL995-1200L-DIMTR-120-30K/40K/50K-90-WH**

TYPE	LUMEN	CCT	CRI	FINISH
RL995	<input type="checkbox"/> 1200L-DIMTR-120	<input type="checkbox"/> 30K/40K/50K	<input type="checkbox"/> 90+	<input type="checkbox"/> WH-White (standard) <input type="checkbox"/> RL995-RT-BK - Black Ring <input type="checkbox"/> RL995-RT-SN - Satin Nickel Ring <input type="checkbox"/> RL995-RT-BZ - Bronze Ring



MOUNTING

**Pancake J-Box
(Metal)**

**3.5" Round
(Plastic)**

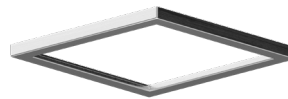
**4" Octagonal
(Metal)**

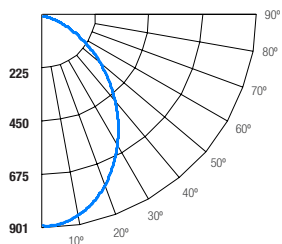
**Fire Rated
J-Box**

Note: A 2-1/8" deep octagon junction box is recommended for through circuit wiring applications.

RING COLORS

**RL995-RT-BK
Black**

**RL995-RT-BZ
Bronze**

**RL995-RT-SN
Satin Nickel**

**Torsion Springs (Included)
RL995-TORSION-SPRING**
RL995-1200L-DIMTR-120-30K-40K-50K-90-WH
TEST NO.: EL011944
INPUT WATTS: 18.9903
LUMENS: 1668
CRI: 90
EFFICACY: 88
CCT: 3000K
SPACING CRITERIA: 1.18
Candle Power Distribution (Candelas)


Cone of Light		
4.0	3.11 fc	30.7 ft
8.0	0.78 fc	61.3 ft
12.0	0.35 fc	92 ft
16.0	0.19 fc	122.6 ft
20.0	0.12 fc	153.3 ft
24.0	0.09 fc	183.9 ft
Distance to Plane	Initial Footcandle at Nadir	Beam diameter

BEAM DIA. MEASURED AT 50% OF NADIR F.C.

Zonal Lumens Summary

Zone	Lumens	%Lamp	%Fixt
0-20	315.77	18.90	18.90
0-30	640.55	38.40	38.40
0-40	989.91	59.30	59.30
0-60	1522.86	91.30	91.30
0-80	1666.75	99.90	99.90
0-90	1666.79	99.90	99.90

Luminance (Average candela/M²)

Angle in Degrees	Average		
	0°	45°	90°
45	2	2	2
55	1	2	2
65	1	1	1
75	0	0	0
85	0	0	0

Lumens Per Zone

Zone	Lumens
0-10	84.18
10-20	231.59
20-30	324.78
30-40	349.36
40-50	309.73
50-60	223.22
60-70	117.08
70-80	26.81
80-90	0.04

Candela Tabulation

0	0
0	898.03
5	883.33
15	805.01
25	680.22
35	530.49
45	374.20
55	225.35
65	99.25
75	13.87
85	0.03
90	0.04

Coefficients of Utilization - Zonal Cavity Method
 Effective Floor Cavity Reflectance 0.20

ROOM CAVITY RATIO	RC	80%				70%				50%				30%				10%				0%			
		RW	70%	50%	30%	10%	70%	50%	30%	10%	50%	30%	10%	50%	30%	10%	50%	30%	10%	50%	30%	10%	0%		
0	0	119	119	119	119	116	116	116	116	111	111	111	111	106	106	106	102	102	102	100					
1	1	111	107	104	101	109	105	102	99	101	99	96	97	95	93	94	92	91	89						
2	2	103	96	91	86	100	94	89	85	91	87	83	88	84	81	85	82	79	77						
3	3	95	86	79	74	93	85	78	73	82	76	72	79	75	71	77	73	70	68						
4	4	88	78	70	64	86	76	69	64	74	68	63	72	67	62	70	65	61	60						
5	5	82	70	63	57	80	69	62	56	67	61	56	65	60	55	64	59	55	53						
6	6	76	64	56	50	74	63	56	50	61	55	50	60	54	49	58	53	49	47						
7	7	71	59	51	45	69	58	50	45	56	50	45	55	49	44	54	48	44	42						
8	8	66	54	46	41	65	53	46	41	52	45	41	51	45	40	50	44	40	38						
9	9	62	50	42	37	61	49	42	37	48	42	37	47	41	37	46	41	37	35						
10	10	58	46	39	34	57	46	39	34	45	38	34	44	38	34	43	38	34	32						

RC - Ceiling Cavity Reflectance

RW - Wall Reflectance