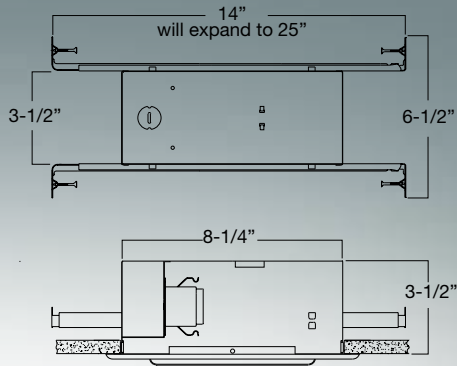


# INTERIOR STEP LIGHT



- :: Angled Louvers w/ White Trim Housing Included.
- :: Non-IC 40W A19 / IC 25W A19
- :: Trim size: L=9-1/2" X H=4-7/8"
- :: Secure trim retention w/ torsion springs.
- :: Step Light housing for incandescent lamp.
- :: For use indoors in insulated (IC) and Non-insulated (NON-IC) areas.
- :: For damp location only.
- :: Conforms to UL standard I598.

**Ordering Example: SEI113-SEI04-WH**



HOUSING	FACE PLATE	FINISH
SEI113	SEI04	WH- WHITE
	SE840	BZ- BRONZE
		SN- SATIN NICKEL

SE840-WH



SEI04-WH



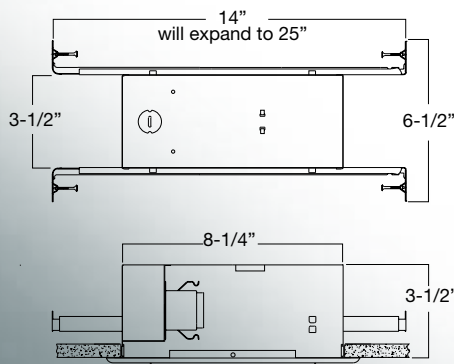
SEIC113



SEI05-LED-WH



SE841-LED-WH



- :: 0.9W (0.05X18)
- :: 120V input
- :: For use indoors in insulated (IC) and Non-insulated (NON-IC) areas.
- :: For damp location only.
- :: Conforms to UL standard I598.
- :: Angled Louvers w/ White Trim Housing Included.
- :: Trim size: L=9-1/2" X H=4-7/8"
- :: Available in 2700K Warm White (WW)

**Ordering Example: SEI05-LED-WW-WH**

SERIES	FINISH
SEI05-LED-WW	WH- WHITE
SE841-LED-WW	BZ- BRONZE
	SN- SATIN NICKEL

