

**APPLICATION:**

Recessed mount brick, step and wall light.

**BODY:**

Powder coated cast aluminum with 0.3% copper to prevent corrosion in concrete applications. Supplied standard with three 3/4" NPS holes located on top, side & back.

**FACE PLATE:**

High-grade die-cast aluminum

**GASKET:**

Single-piece molded silicon for wet location

**LENS:**

Clear, heat-resistant, tempered glass

**FINISH:**

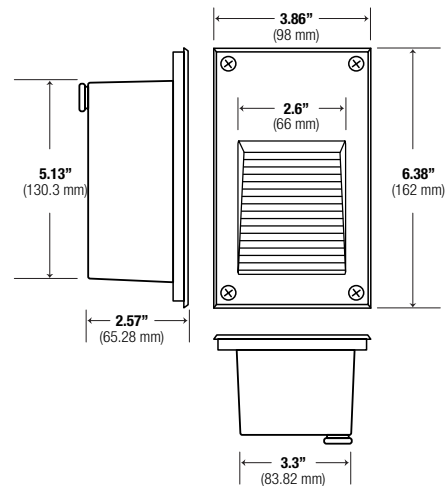
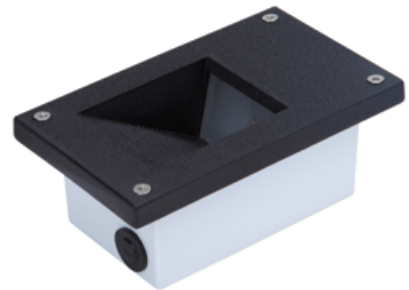
White, Black, Bronze, Green (Custom color, please consult factory)

**REFLECTOR:**

High-performance aluminum reflector assembly for superb light output.

**INSTALLATION:**

Two 1/2" NPS wiring holes  
Feed through listed



Ordering Guide > Example: ST11BX-20-JC-12-WH

<b>ST11BX</b>		
<b>SERIES</b> ST11BX	<b>LAMP/WATTAGE</b> HALOGEN 20-JC-12 - 20W JC BI-PIN BASE (12V)	<b>FINISH</b> WH - White BK - Black BZ - Bronze

**\*MUST BE USED WITH REMOTE TRANSFORMER**