

ST11BX-LED

LED STEP LIGHT SERIES

ST
SERIES



APPLICATION:

Recessed mount brick, step and wall light.

BODY:

Powder coated cast aluminum with 0.3% copper to prevent corrosion in concrete applications. Supplied standard with three 3/4" NPS holes located on top, side & back.

FACE PLATE:

High-grade die-cast aluminum

GASKET:

Single-piece molded silicon for wet location

LENS:

Clear, heat-resistant, tempered glass

FINISH:

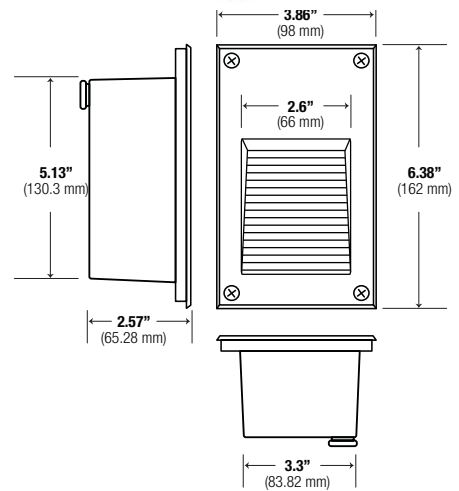
White, Black, Bronze, Green (Custom color, please consult factory)

REFLECTOR:

High-performance aluminum reflector assembly for superb light output.

INSTALLATION:

Two 1/2" NPS wiring holes
Feed through listed



Ordering Guide > Example: ST11BX-LED-90L-12-WH

ST11BX-LED			
SERIES	LUMENS	VOLTAGE	FINISH
ST11BX-LED	250L (250 lumens - 5W)	12 (12 volts)	WH - White BK - Black BZ - Bronze

ST

LED Step Light