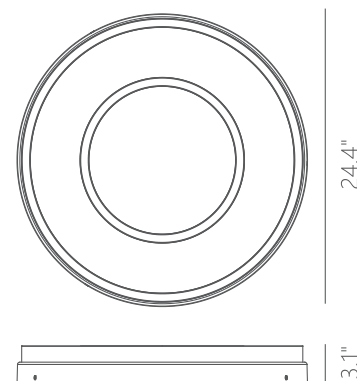
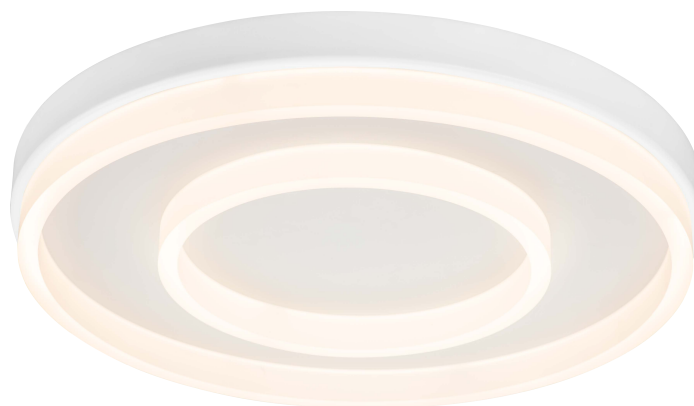


<b>PROJECT</b>			
<b>DATE</b>		<b>TYPE</b>	



## ANELLO

<b>Material:</b> Polyurethane	<b>Color Temp.:</b> 3000K
<b>Illuminating Shade:</b> Acrylic	<b>CRI (Ra):</b> ≥90
<b>Finishes:</b> MB - Matte Black MH - Matte White	<b>LED Rated Life:</b> ≈50,000 Hours
	<b>Dimming:</b> 100% - 10%



	<b>PC010015</b>
<b>Wattage:</b>	62W
<b>Voltage:</b>	100~130V
<b>Total Lumens:</b>	4920
<b>Delivered Lumens:</b>	2405

Dimmable with ELV or TRIAC Dimmer (Not Included)