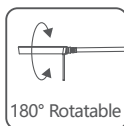
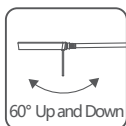
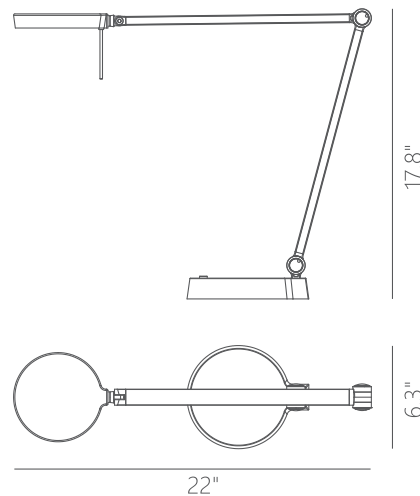


PROJECT			
DATE		TYPE	



PT140864-CM/PW



OPTICS

Material:
Steel

Color Temp.:
3000K

Diffuser:
Polystyrene

CRI (Ra):
≥90

Finishes:
CM - Chrome
PW - Pure White

LED Rated Life:
≈50,000 Hours



PT140864

Wattage: 6W
Voltage: 100~240V
Total Lumens: 600
Delivered Lumens: 298