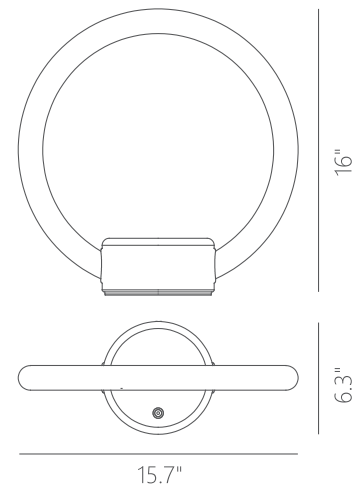


PROJECT			
DATE		TYPE	



PT040042-CM



ORBIT

Materials:
Steel, Acrylic

Illuminating Shade:
Acrylic

Finish:
CM - Chrome

Color Temp.:
3000K

CRI (Ra):
≥90

LED Rated Life:
≈50,000 Hours



PT040042

Wattage: 10W
Voltage: 100~240V
Total Lumens: 1080
Delivered Lumens: 499